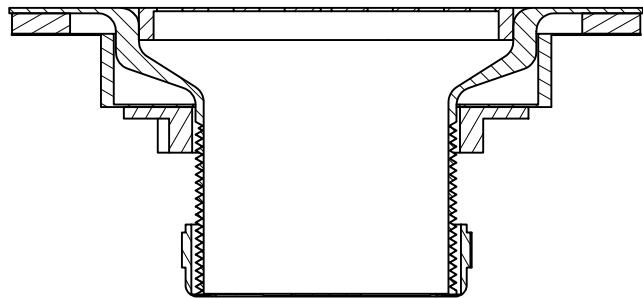
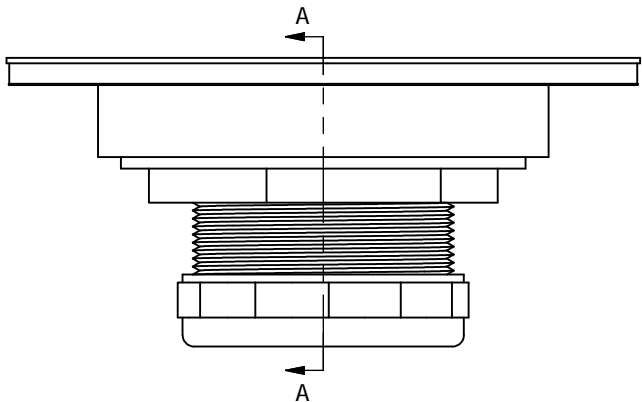
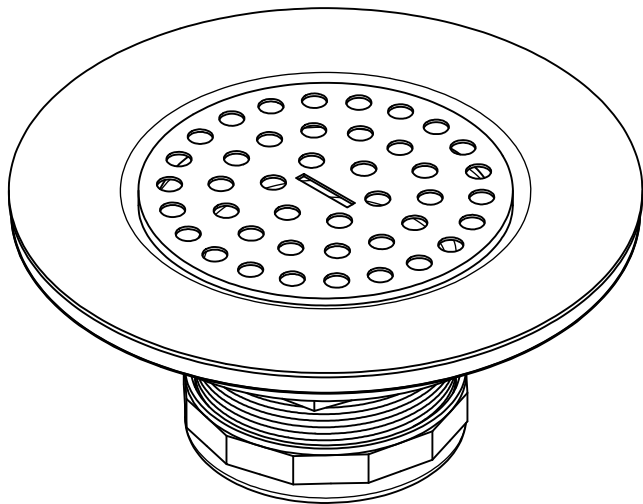
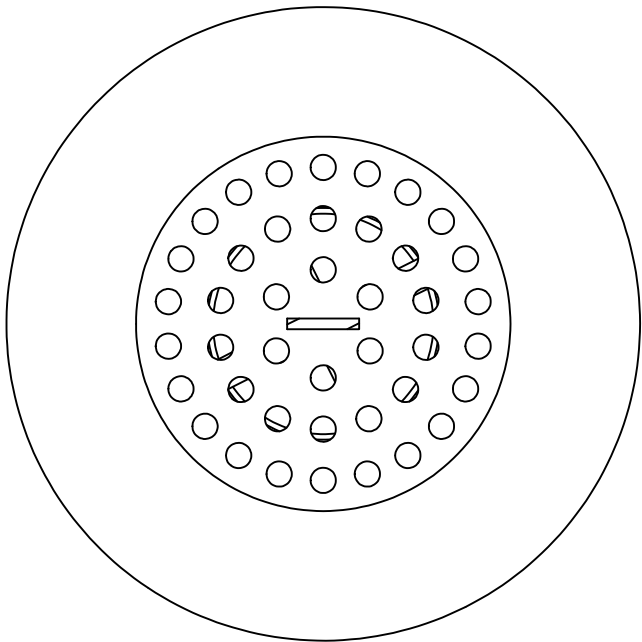


# FLAT TOP GRID STRAINER



SECTION A-A  
SCALE 1.5



PHONE NUMBER  
**1-800-355-6637**  
 FAX NUMBER  
**1-800-462-6991**  
 SCALE 1.5 : 1      DATE 7-26-11  
 SHEET  
**1 OF 1**  
 DRAWN BY  
**ASHLEY KRALOVEC**

	PART NO.	S14002			
	DESCRIPTION	FLAT TOP GRID STRAINER			