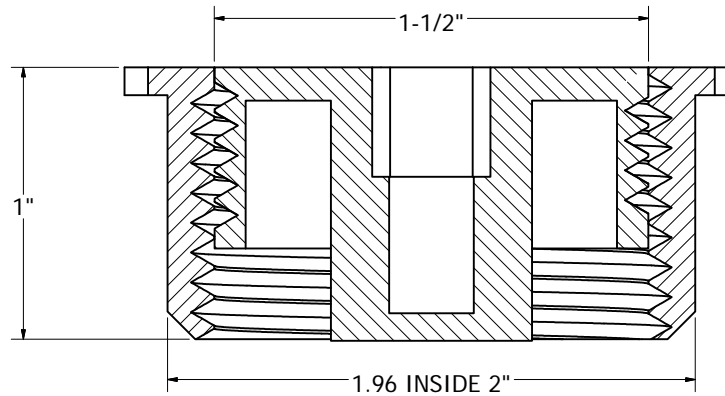
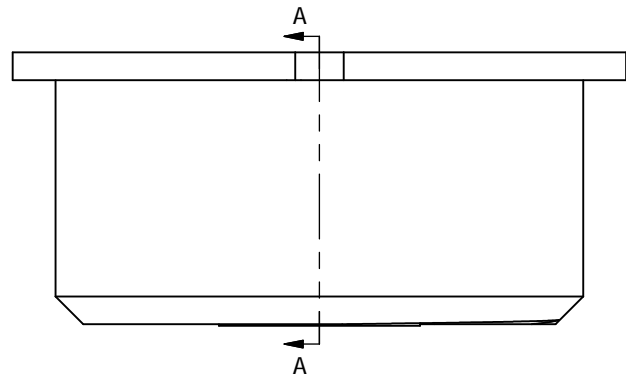
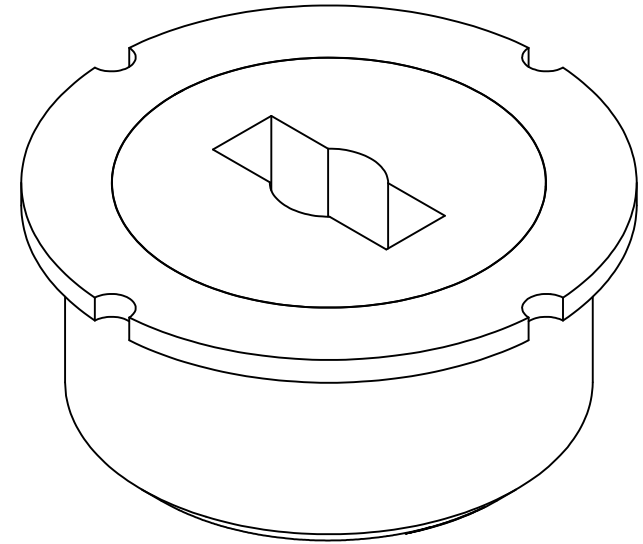
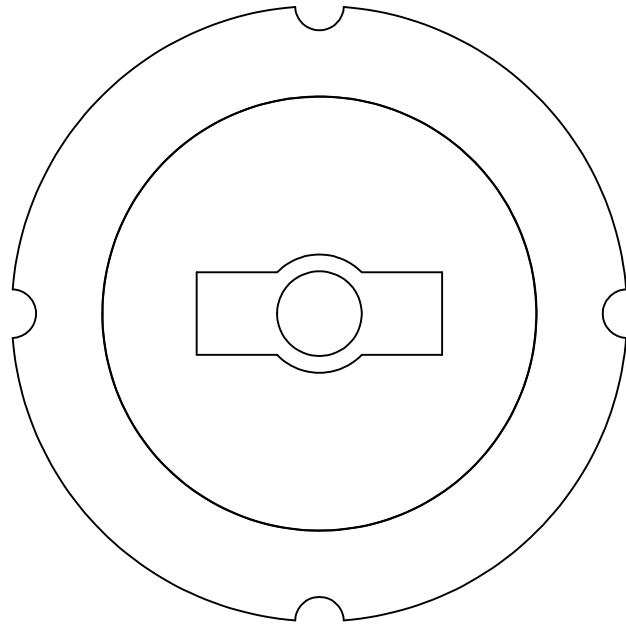


# INTERNAL PIPE CLEANOUT SOLVENT WELD INTO SCHEDULE PIPE



SECTION A-A  
SCALE 2.8

MADE IN THE  
**USA**



PHONE NUMBER 1-800-355-6637	PART NO.	C60106	C60107				
FAX NUMBER 1-800-462-6991	PIPE SIZE	2"	2"				
SCALE 2.8 : 1	DATE 1-18-11	PLUG SIZE	1-1/2" IPS	1-1/2" IPS			
SHEET 1 OF 1	OD	1-7/8"	1-7/8"				
DRAWN BY ASHLEY KRALOVEC	MATERIAL	PVC	ABS				