

# Submittal Sheet

Job Name \_\_\_\_\_ Contractor \_\_\_\_\_  
 Location \_\_\_\_\_ Approval \_\_\_\_\_  
 Engineer \_\_\_\_\_ Date \_\_\_\_\_  
 Approval \_\_\_\_\_ Rep \_\_\_\_\_

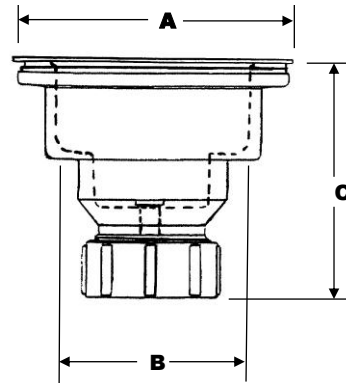


## Series JBC106 - JBX403

JB Signature Strainers, Metal Trim and Plastic body

### Features

- Two piece strainer with metal trim and plastic body
- Single mounting bolt for easy installation
- Push pull basket with positive rubber seal
- Extra heavy slip nut
- Manufactured in the United Kingdom.



Note: All numbers below are packaged in boxes. For clam shell substitute C for the X in the part number.

DIMENSIONS							
JB No.	Description	A	B	C	Weight oz.	Case Qty	✓ Submit
JBX106	Kitchen Strainer Chrome	4 1/2"	3 1/8"	3 3/8"	10.1	12	
JBX107	Kitchen Strainer Polished SS	4 1/2"	3 1/8"	3 3/8"	10.1	12	
JBX108	Kitchen Strainer PVD Polished Brass	4 1/2"	3 1/8"	3 3/8"	10.1	12	
JBX110	Kitchen Strainer Brushed SS	4 1/2"	3 1/8"	3 3/8"	10.1	12	
JBX111	Kitchen Strainer Brushed Nickel	4 1/2"	3 1/8"	3 3/8"	10.1	12	
JBX113	Kitchen Strainer Tuscan Bronze	4 1/2"	3 1/8"	3 3/8"	10.1	12	
JBX401	Kitchen Strainer Aged Bronze	4 1/2"	3 1/8"	3 3/8"	10.1	12	
JBX402	Kitchen Strainer Polished Nickel	4 1/2"	3 1/8"	3 3/8"	10.1	12	
JBX403	Kitchen Strainer Classic Bronze	4 1/2"	3 1/8"	3 3/8"	10.1	12	

JB Products specifications and dimensions are approximate and are provided for reference only. If precise measurements are required, please contact us with your specific request. JB Products reserves the right to change or modify product design, construction, specifications or material without prior notice and without incurring any obligation to make such changes and modifications on JB Products previously sold.