



The Next Necessity™

Instant Hot Water Dispensers

Model Hot1

One-piece construction for easy installation



Submittal Sheet

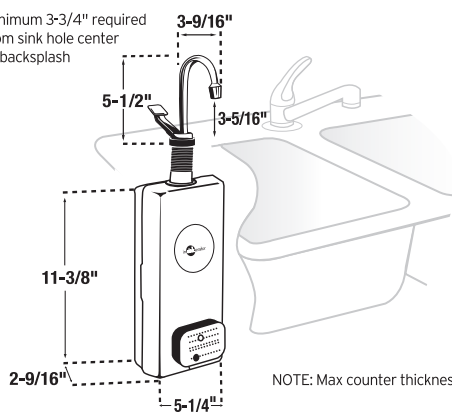
- **Hot Only** - 1/3-gallon tank delivers 40 cups of near-boiling 190°F water per hour
- 1-Year *We Come To You*® In-Home Service Warranty*
- 115 volts, 500 watts, 4.3 amps
- Available in polished stainless steel with black handle

Specifications

Capacity	1/3-gallon copper tank dispenses 40 cups of 190°F water per hour
Electrical	115 volts A.C., 500 watts, 4.3 amp heating element with grounded three (3) prong plug
Thermostat	Snap-action, adjustable from 160°F to 200°F (factory pre-set at 190°F)
Valve	Instant, self-closing
Recommended Supply Pressure	30-125 psi
Shipping Weight	Approximately 4 lbs.
Required Hole Diameter	1-1/4" - 1-1/2" standard sink hole

Dimensions

Minimum 3-3/4" required from sink hole center to backsplash



Sample Specification

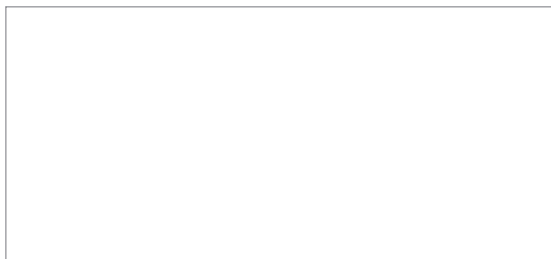
Instant hot water dispenser(s) shall be InSinkErator Model Hot1 with adjustable temperature from 160°F to 200°F and instant, self-closing hot valve.

Warranty:

1-year parts and in-home service.

* The complete InSinkErator warranty is included in the Care & Use booklet packed with each unit.

Job Specifications



1-800-558-5700
www.insinkerator.com



The Emerson logo is a trademark and service mark of Emerson Electric Co.

InSinkErator may make improvements and/or changes in the specifications at any time, in its sole discretion, without notice or obligation and further reserves the right of change or discontinue models.

© 2011 InSinkErator, a division of Emerson Electric Co. All Rights Reserved.