



The Next Necessity™

Chilled Water Tank

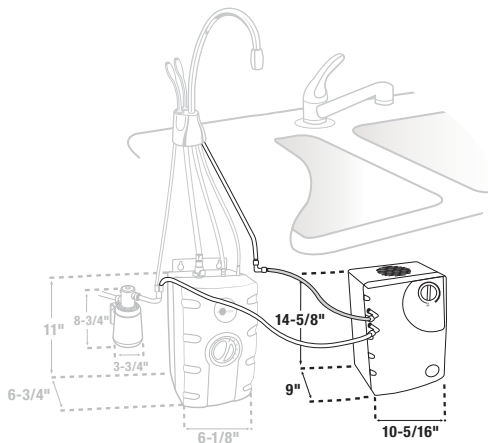
Model CWT-00

Chills to perfect drinking water temperature of 38°F

Faucet sold separately



Dimensions



Submittal Sheet

- **Chilled** drinking water instantly
- Compressor based technology
- Air-cooled; designed to fit under the sink
- No cabinet venting required
- Compact, economical and easily installed
- 1/3 gallon stainless steel storage tank
- 1/4" OD stainless steel water tube connections
- Welded water lines to assure leak-proof operation
- 3-Year *We Come To You*® In-Home Service Warranty*
- For use with InSinkErator hot/cool water dispensers or Cold Only Faucet (F-C1100)
- Designed to work with InSinkErator F-201 Filtration System to reduce chlorine taste and odor

Specifications

Capacity	Cooling capacity of 1.0 gallons per hour
Electrical	115 volts, 135 watts, 1.3 amps
Thermostat	Adjustable from 33°F - 45°F
Insulation	Meets U.L. 94HF-1 flammability specification
Recommended Supply Pressure	20-120 psi
Shipping Weight	Approximately 30 lbs.

Sample Specification

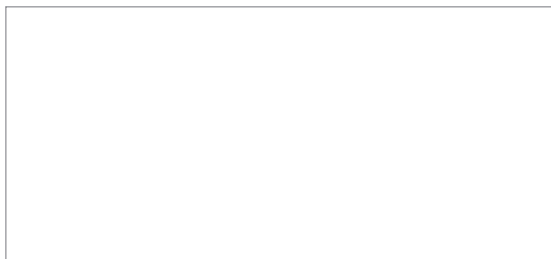
Chilled Water Tank shall be InSinkErator Model CWT-00 with 1.0 gallons per hour capacity. An adjustable thermostat having an off position shall control refrigeration system.

Warranty:

3-year parts and in-home service.

* The complete InSinkErator warranty is included in the Care & Use booklet packed with each unit.

Job Specifications



1-800-558-5700
www.insinkerator.com



EMERSON
Appliance Solutions™

The Emerson logo is a trademark and service mark of Emerson Electric Co.

InSinkErator may make improvements and/or changes in the specifications at any time, in its sole discretion, without notice or obligation and further reserves the right of change or discontinue models.

© 2008 InSinkErator, a division of Emerson Electric Co. All Rights Reserved.