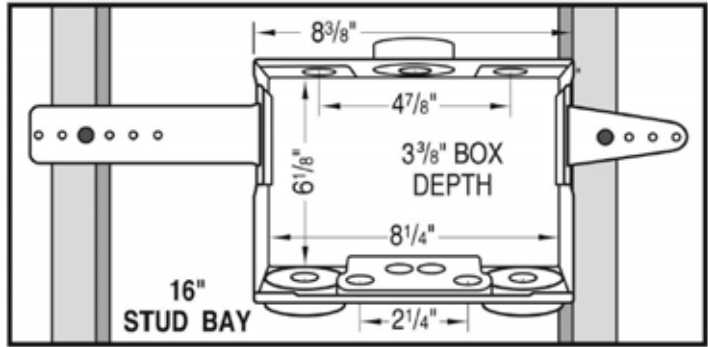
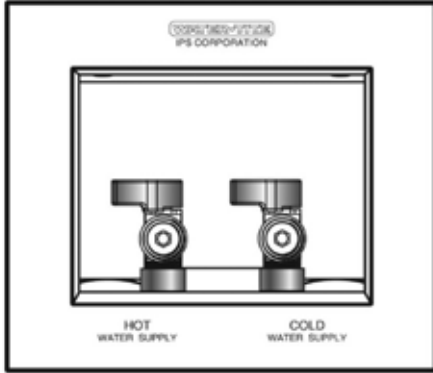


SPECIFICATION SUBMITTAL SHEET

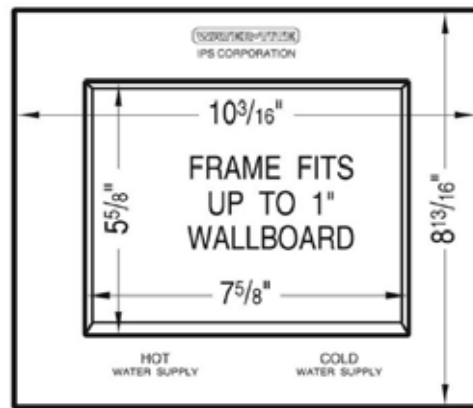


**DU-ALL™ DUAL DRAIN WASHING MACHINE
OUTLET BOX with Quarter Turn Valves**



Specifications:

Furnish and install Du-All™ dual-drain washing machine outlet box. Du-All box may optionally be installed as top-mount unit. Unit shall be Water-Tite product code as manufactured by IPS Corporation. Valves comply with ASME A112.18.1.



Item #	Product Description	Model #	Quantity
	Complete Product Listing on Reverse Side		



Item #	Product Description	Model #	Quantity
82052	Brass Qtr Turn Valves* Installed - 1/2" Sweat Conx.	W2700	10
82054	Brass Qtr Turn Valves* Installed - 1/2" CPVC Conx.	W2701	10
82056	Brass Qtr Turn Valves* Installed - 1/2" PEX Conx.	W2702	10
85131	Brass Qtr Turn Valves* Installed - 3/8" PEX Conx.	W2738	10
82107	Brass Qtr Turn Valves* Unassembled - 1/2" CPVC Conx.	W2704	10
85614	Brass Qtr Turn Valves* Unassembled - 1/2" Sweat Conx.	W2412	10
82001	Brass Qtr Turn Valves* Installed - 1/2" Wirsbo® Conx.	W2711	10
82008	Brass Qtr Turn Valves* Unassembled - 1/2" Wirsbo® Conx.	W2713	10
85604	Washer Box Only - No Valves	W2012	10
Contractor Pack			
82053	Brass Qtr Turn Valves* Installed - 1/2" Sweat Conx.	W2700 CP	20
82055	Brass Qtr Turn Valves* Installed - 1/2" CPVC Conx.	W2701 CP	20
82057	Brass Qtr Turn Valves* Installed - 1/2" PEX Conx.	W2702 CP	20
85132	Brass Qtr Turn Valves* Installed - 3/8" PEX Conx.	W2738 CP	20
82002	Brass Qtr Turn Valves* Installed - 1/2" Wirsbo® Conx.	W2711 CP	20
10 N 1 Dual Drain Washer Box			
85121	Brass Qtr Turn Valves* Unassembled - 1/2" Sweat Conx.	W2121	10
85123	Brass Qtr Turn Valves* Unassembled - 1/2" CPVC Conx.	W2250	10
85125	Brass Qtr Turn Valves* Unassembled - 1/2" PEX Conx.	W2122	10
Contractor Pack			
85122	Brass Qtr Turn Valves* Unassembled - 1/2" Sweat/Cont. Pack	W2121 CP	20
85124	Brass Qtr Turn Valves* Unassembled - 1/2" CPVC/Cont. Pack	W2250 CP	20
85126	Brass Qtr Turn Valves* Unassembled - 1/2" PEX/Cont. Pack	W2122 CP	20
85127	Brass Valves*/Cold 1/2" Sweat Only Installed/Cont. Pack	W2101 CP	20
85129	Brass Valves*/Cold 1/2" CPVC Only Installed/Cont. Pack	W2201 CP	20
85130	Brass Valves*/1/2" CPVC Arrester Only Installed/Cont. Pack	W2201 HACP	20
82013	Brass Qtr Turn Valves* Installed - 1/2" Sweat Conx.	R2512 B	6
Display Pack			
82014	Brass Qtr Turn Valves* Installed - 1/2" CPVC Conx.	R2001 B	6
82000	Washer Box Only - No Valves	R2012 B	6