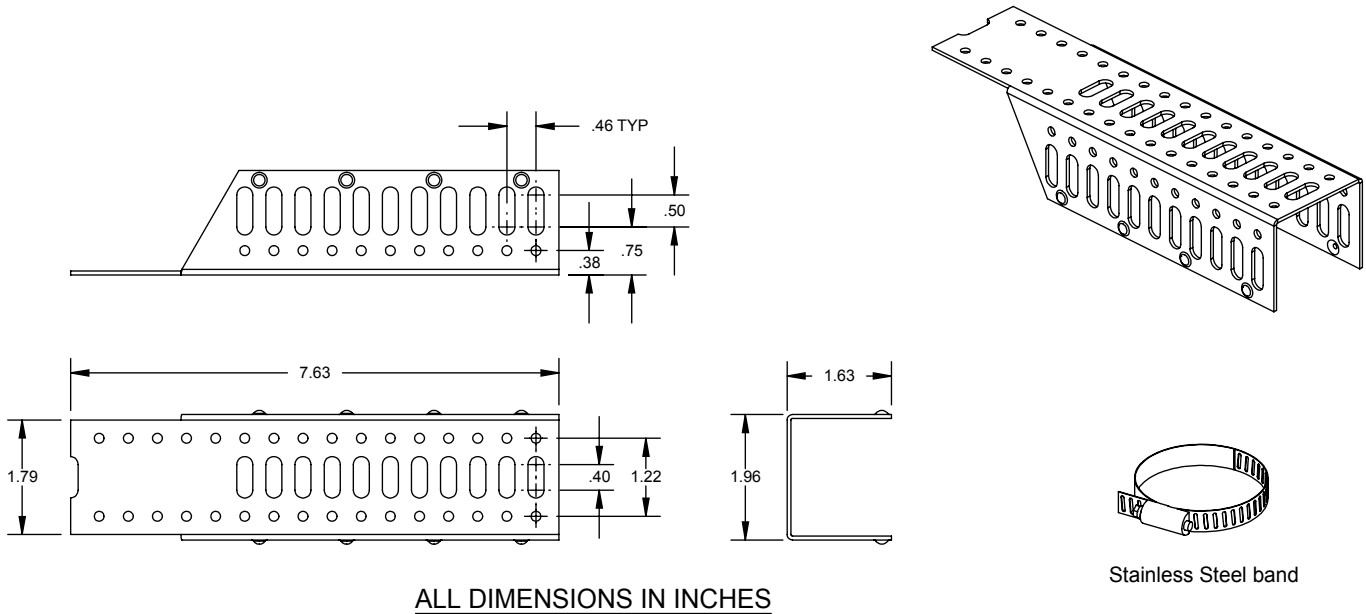


PRODUCT SPECIFICATION DRAWING

HOLDRITE® #115 & #115-C

Supports water line off of vent or waste pipes



Stainless Steel band

The HOLDRITE® #115 and #115-C (Copper-Bonded™) are steel brackets designed to position water supply lines off the vent or waste pipe in chase walls. Supports 1/2" through 2" pipes both vertically and horizontally. Packaged with self-locking stainless steel band, screws, metal clamps, and self-adhesive isolating felt. Excellent for pre-fab applications. Supports piping prior to wall framing. Heat the pipe, not the bracket when soldering the #115-C version.

Product Information:

- Material:
 #115: 16 gage CRS, galvanized
 #115-C: 16 gage CRS, Copper-Bonded™
- Load rating: 25 pounds
- UPC / IPC / IAPMO listed



THIS INFORMATION IS PROPRIETARY TO HOLDRITE AND IS SUBJECT TO CHANGE WITHOUT NOTICE. IT MAY NOT BE REPRODUCED IN PART OR WHOLE WITHOUT WRITTEN AUTHORIZATION.



CONVERTING MAKESHIFT METHODS INTO ENGINEERED SOLUTIONSSM
 800-321-0316 OR 760-744-6944 / FAX: 760-744-0507 / WWW.HOLDRITE.COM
 spec_115_115-C_RevH

Product Submittal	
Job Name:	
Date:	
Part Number:	Qty:
Architect / Owner:	
Contractor:	
Notes:	