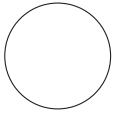


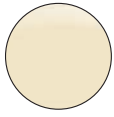
RN TAHI 5 60" x 42" x 18.25"

AirBath option will add 1" to height of unit

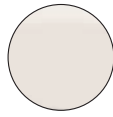
Premium Cast Acrylic



white



bone



biscuit

Cut-Out
58" x 40"

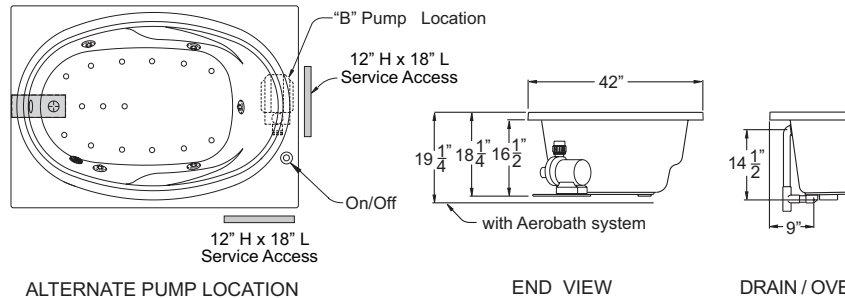
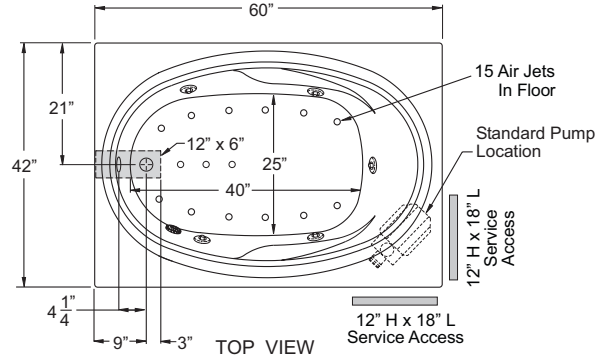
Operating Capacity
49 Gallons

Shipping Weight:
Soaker - 164 lbs
Whirlpool - 194 lbs

Hydro-Massage System
4 Premium Power-Flow Adjustable Jets
1 Lumbar Ease-Flow Adjustable Jets

Optional Features

- Skirt
Factory installed - Aventura
Field or factory installed - Deco
- Acrylic Nailing Flange
Yes
- In-Line Heater
Yes



CONTRACTOR ADVANTAGE
soaker tubs | whirlpools | air tubs



soaker tub



whirlpool



airtub

