

PROJECT: _____	UNIT TAG: _____	QUANTITY: _____
REPRESENTATIVE: _____	TYPE OF SERVICE: _____	DATE: _____
ENGINEER: _____	SUBMITTED BY: _____	DATE: _____
CONTRACTOR: _____	APPROVED BY: _____	DATE: _____
	ORDER NO.: _____	DATE: _____

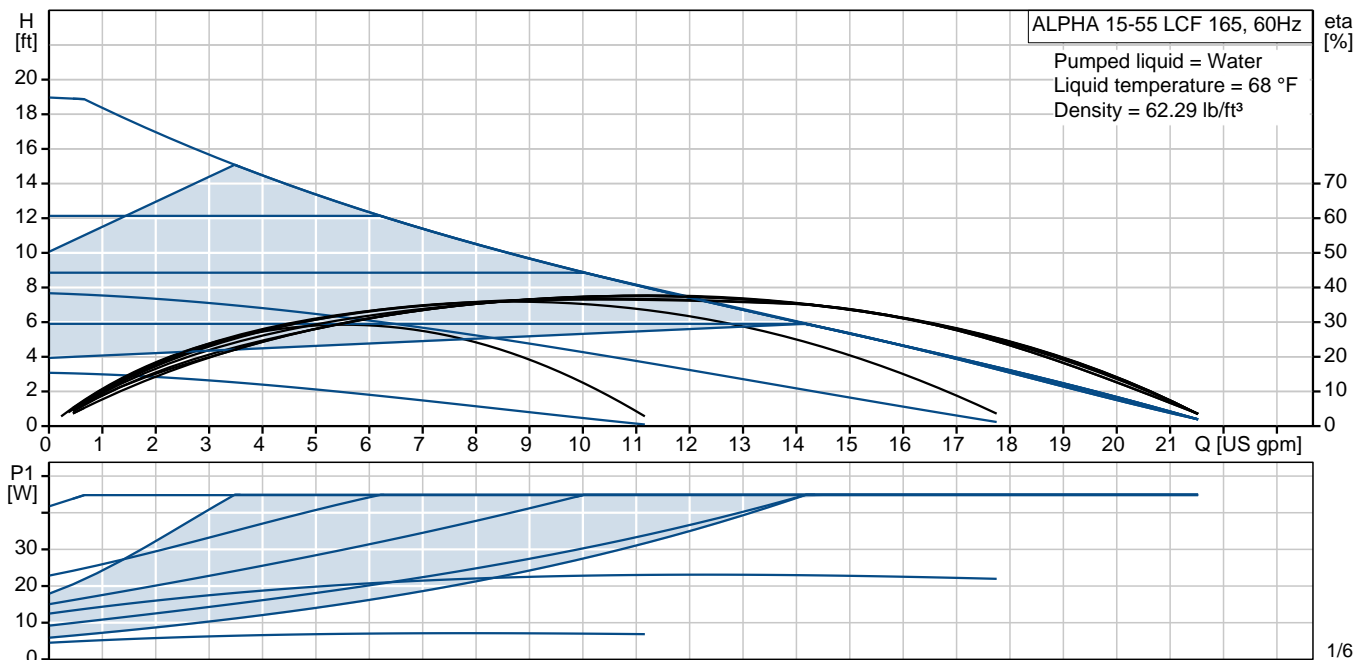
### ALPHA 15-55 LCF 165

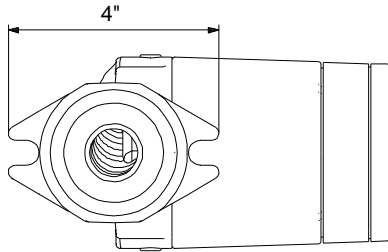
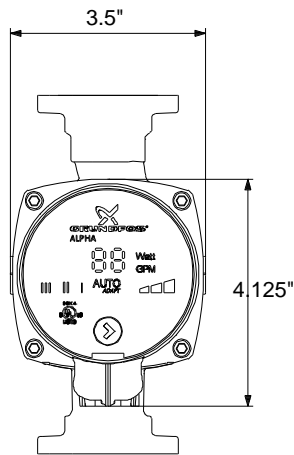
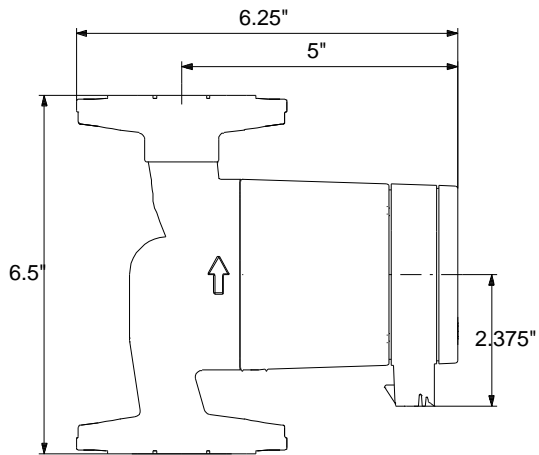
Circulator pumps, electronically controlled



Product photo could vary from the actual product

Conditions of Service	Pump Data	Motor Data
Flow: _____	Maximum operating pressure: 145 psi	P1 max: 5 .. 45 W
Head: _____	Liquid temperature range: 35.6 .. 230 °F	Rated voltage: 115 V
Efficiency: _____	Maximum ambient temperature: 104 °F	Main frequency: 60 Hz
Liquid: Water	Approvals: ETL, FCC	Enclosure class: IP42
Temperature: 68 °F	Pipe connection: GF 15/26	Insulation class: F
NPSH required: _____	Product number: 59896832	Motor protection: None
Viscosity: _____		Thermal protection: ELEC
Specific Gravity: 1.000		

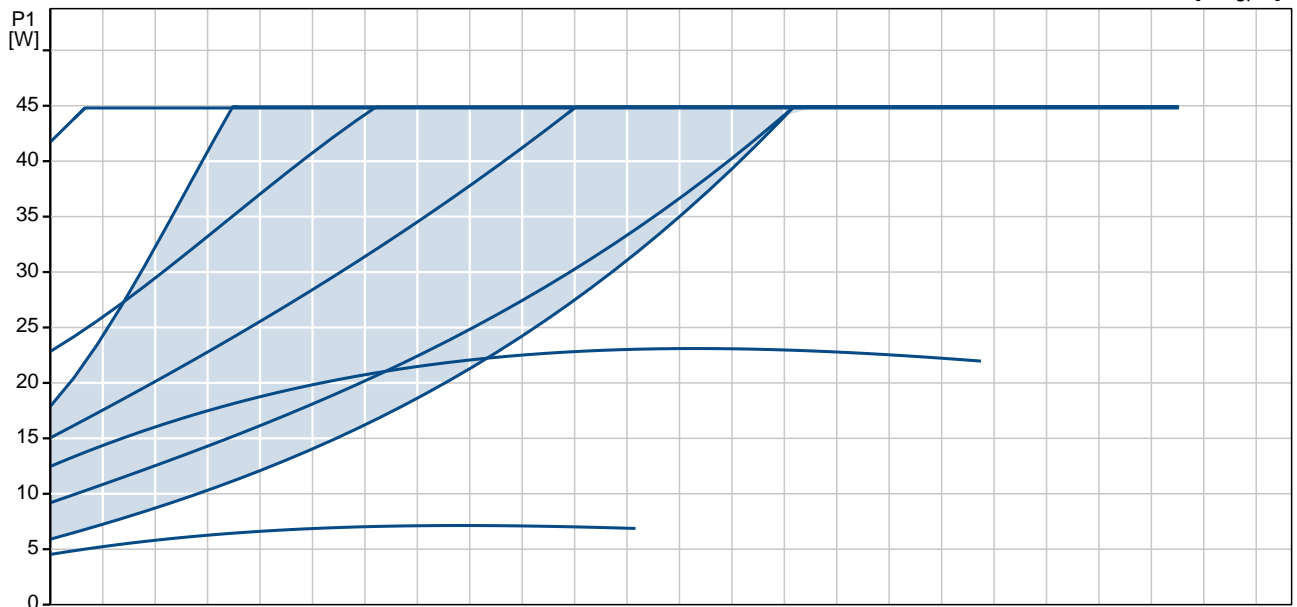
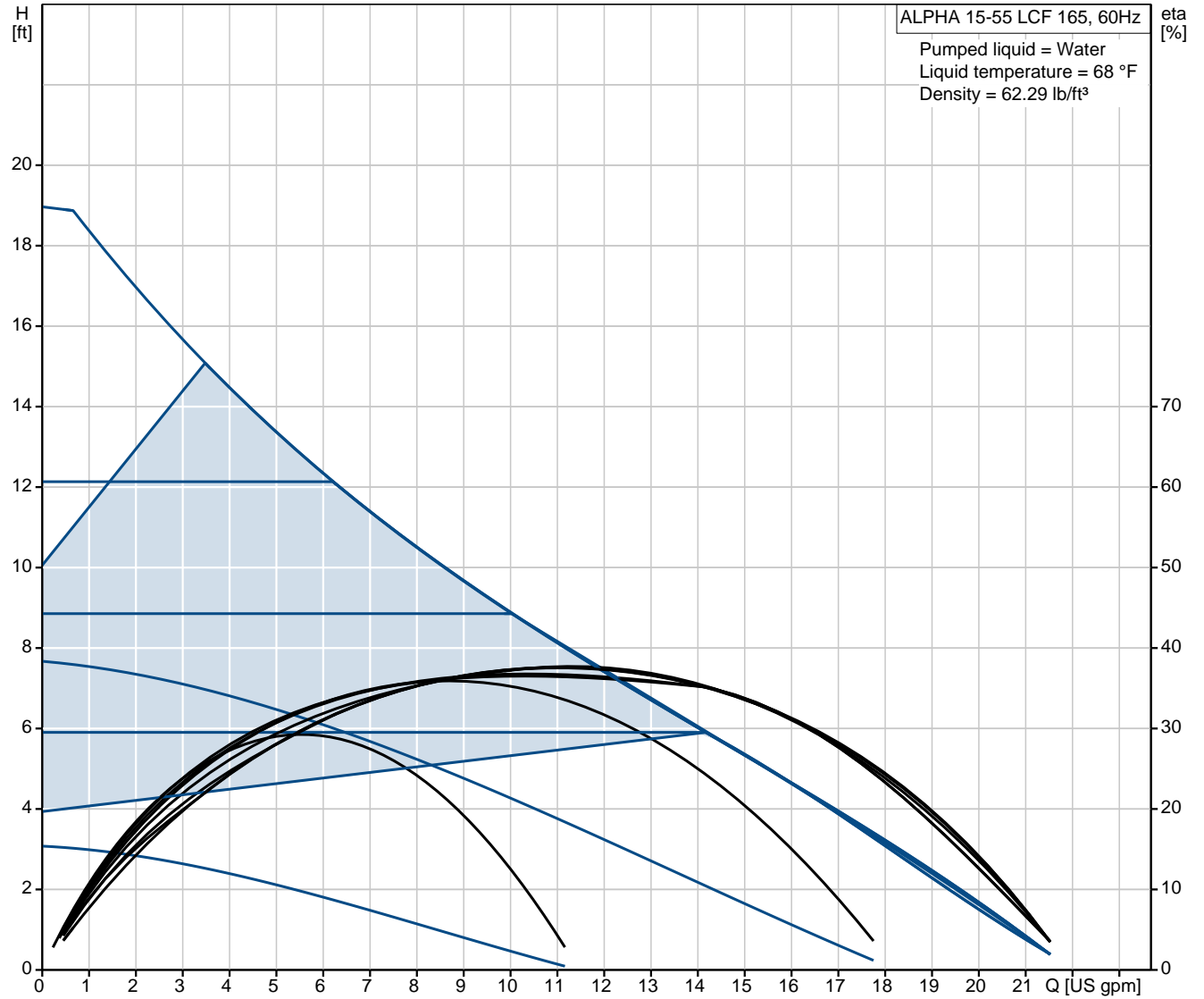




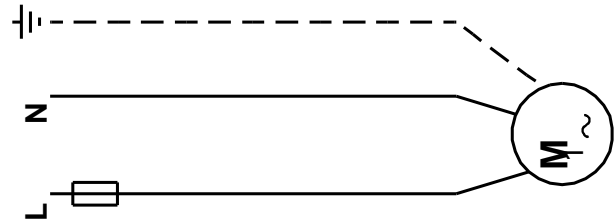
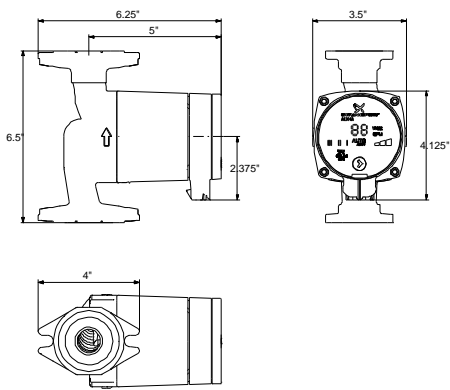
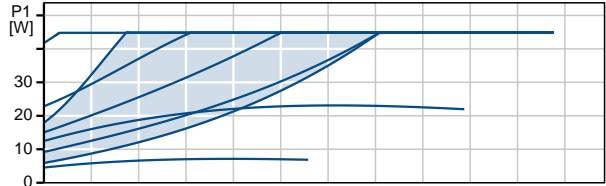
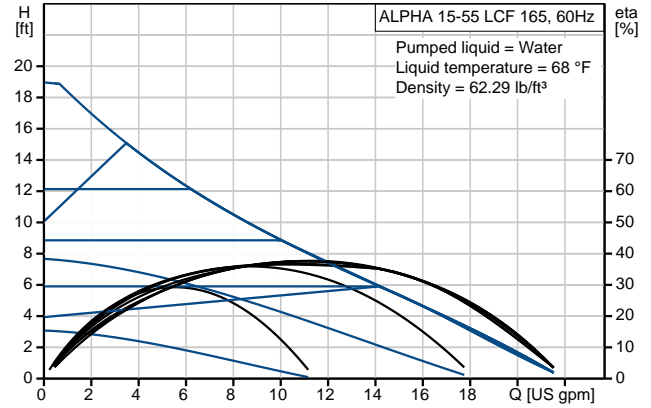
**Materials:**

Pump housing: /CAST IRON  
 DIN W.-Nr. GG15  
 ASTM 30 B  
 Impeller: Composite, PES

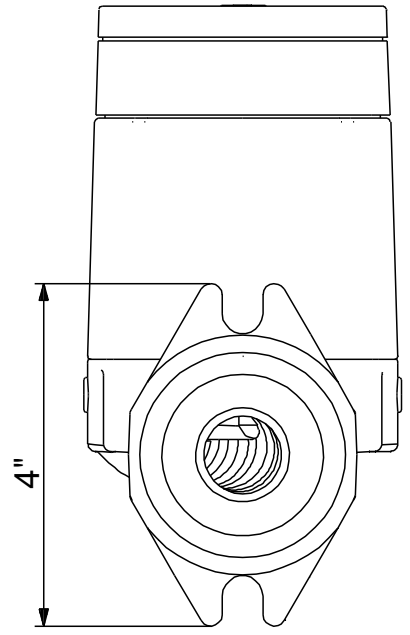
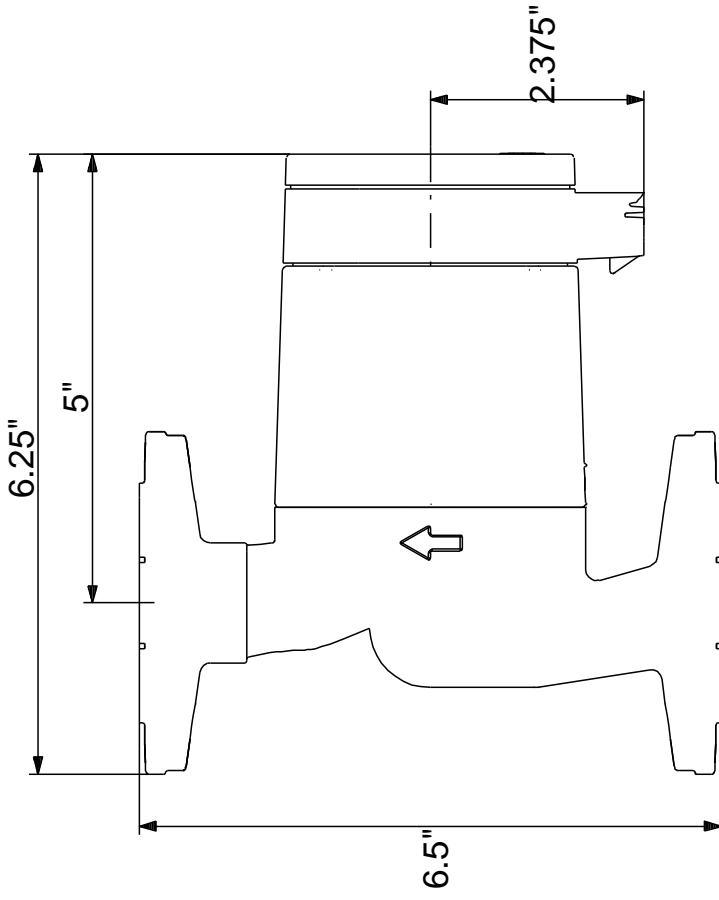
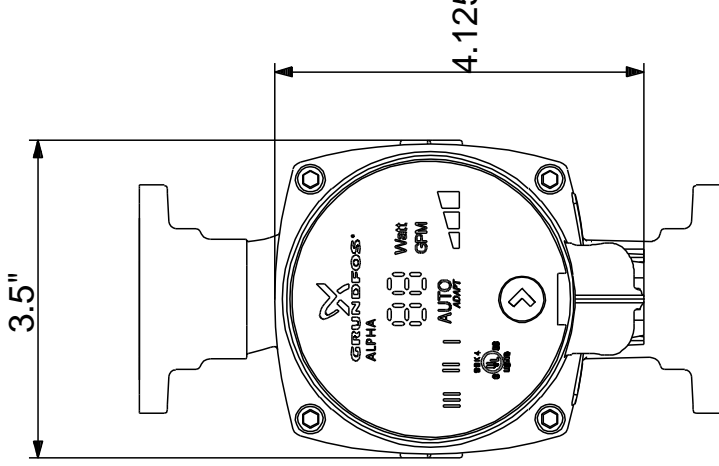
# 59896832 ALPHA 15-55 LCF 165 60 Hz



Description	Value
Product name:	ALPHA 15-55 LCF 165
Product Number:	59896832
EAN number:	5700312524663
<b>Technical:</b>	
Head max:	18 ft
TF class:	110
Approvals on nameplate:	ETL, FCC
<b>Materials:</b>	
Pump housing:	/CAST IRON DIN W.-Nr. GG15 ASTM 30 B
Impeller:	Composite, PES
<b>Installation:</b>	
Range of ambient temperature:	32 .. 104 °F
Maximum operating pressure:	145 psi
Pipe connection:	GF 15/26
Pressure stage:	PN 10
Port-to-port length:	6 1/2 in
<b>Liquid:</b>	
Pumped liquid:	Water
Liquid temperature range:	35.6 .. 230 °F
Liquid temp:	68 °F
Density:	62.29 lb/ft <sup>3</sup>
<b>Electrical data:</b>	
Power input - P1:	5 .. 45 W
Maximum current consumption:	0.1 .. 0.65 A
Main frequency:	60 Hz
Rated voltage:	1 x 115 V
Enclosure class (IEC 34-5):	IP42
Insulation class (IEC 85):	F
Motor protection:	None
Thermal protec:	ELEC
<b>Controls:</b>	
Pos term box:	6H
<b>Others:</b>	
Net weight:	5.95 lb
Gross weight:	7.5 lb
Shipping volume:	87.6 ft <sup>3</sup>
Energy label:	A
Sales region:	Namreg

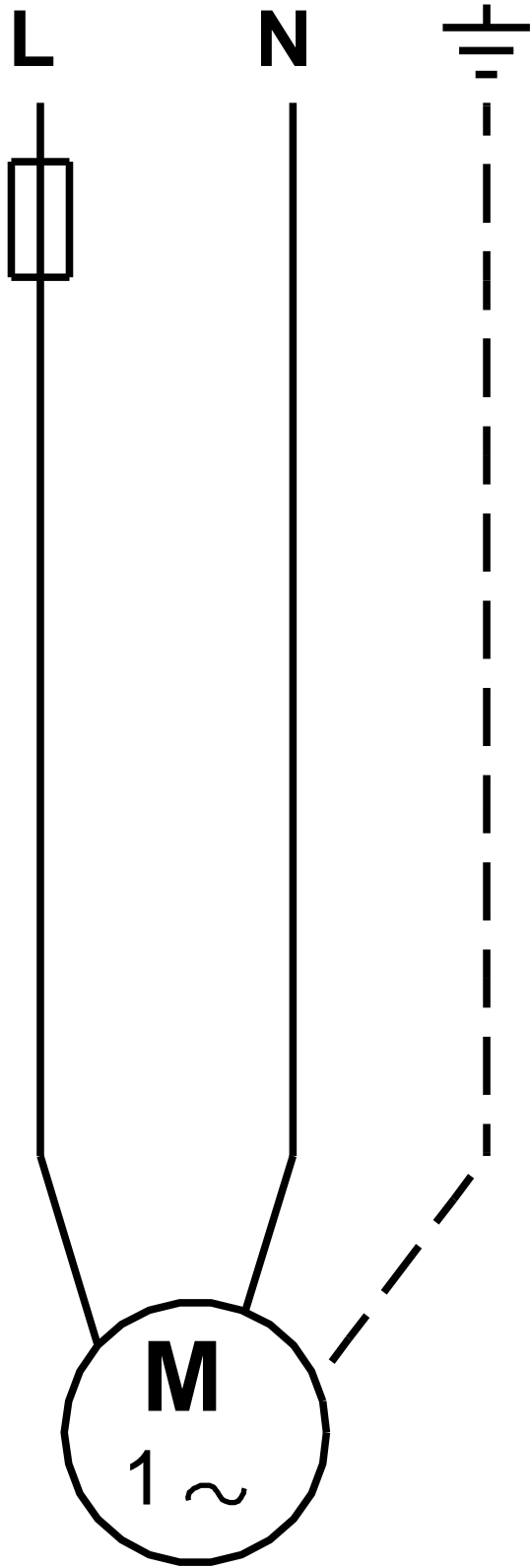


59896832 ALPHA 15-55 LCF 165 60 Hz



Note! All units are in [mm] unless others are stated.  
Disclaimer: This simplified dimensional drawing does not show all details.

59896832 ALPHA 15-55 LCF 165 60 Hz



All units are [mm] unless otherwise presented.