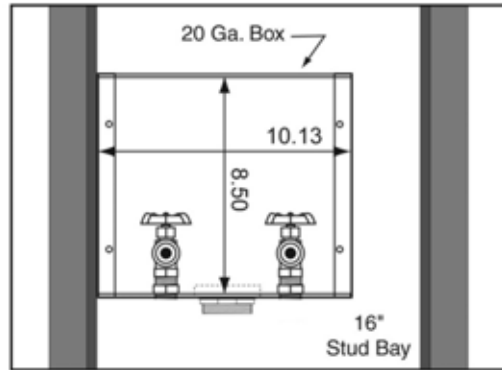
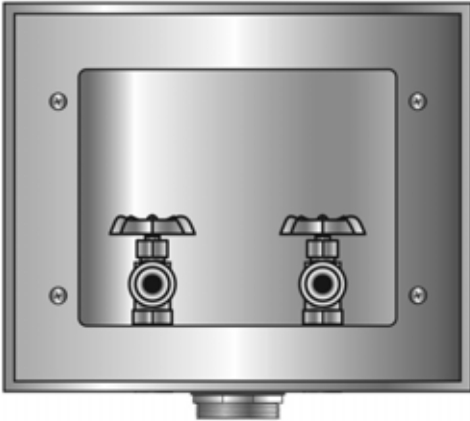


SPECIFICATION SUBMITTAL SHEET



**CENTER DRAIN GALVANIZED WMOB**  
with Domestic Valves



**Specifications:**

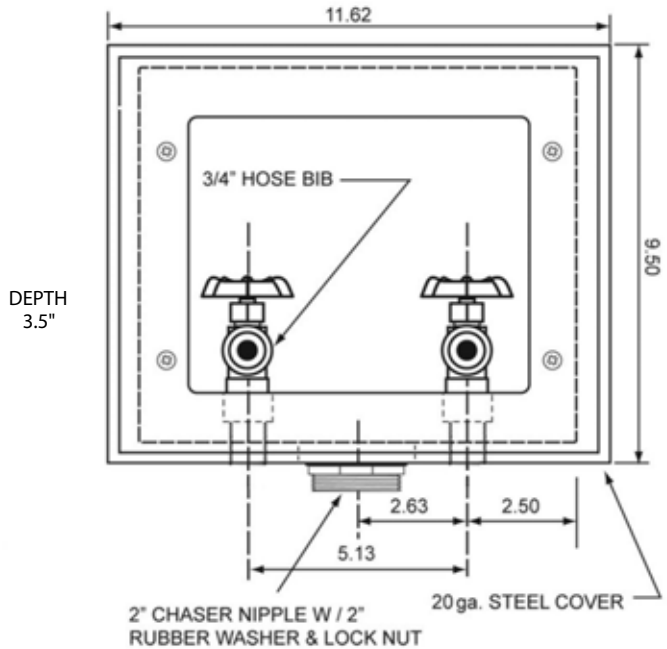
Furnish and install galvanized center drain washing machine outlet box with domestic valves. Unit shall be Guy Gray product code checked below as manufactured by IPS Corporation

**Box Material:**

G90 Hot Dipped Galvanized Steel (unpainted)  
20 gauge box with 20 gauge faceplate

**Valve & Drain Options:**

Domestic Valve with 1/2" MIP/Sweat, PEX or CPVC connection furnished. 1-1/2" Threaded or 2" Threaded Drain. Valves comply with ASME A112.18.1



| Item # | Product Description   | Model # | Quantity |
|--------|---|---------|----------|
| 82026  | Domestic Valve w/ 1/2" MIP/Sweat Conx. Valve, 1-1/2" Threaded Drain Fitting | B150    | 6        |
| 82032  | Domestic Valve w/ 1/2" MIP/Sweat Conx. Valve, 2" Threaded Drain Fitting     | B200    | 6        |
| 82036  | Top Mount 1/2" MIP/Sweat Conx. Valves, 2" Threaded Drain Fitting            | BB200TS | 6        |
| 81974  | Domestic Valve w/ 1/2" Pex conx., 2" Threaded Drain                         | B200X   | 6        |
| 81975  | Domestic Valve w/ 1/2" CPVC conx., 2" Threaded Drain                        | B200C   | 6        |

