



Air Conditioning & Heating

INDOOR COILS

CAUF, CAPF, CAPT, CHPF, AND CSCF
CASED, PAINTED UPFLOW/DOWNFLOW, UNCASSED UPFLOW/
DOWNFLOW, HORIZONTAL "A", AND
HORIZONTAL SLAB INDOOR COILS



CAUF
Uncased



CAPF
Cased



CHPF
Horizontal "A"



CSCF
Horizontal Slab



CAPT
Cased with Internal TXV

Standard Features

- All-Aluminum evaporator coil
- Optimized for use with R-410a refrigerant
- Some models suitable for use with R-410a or R-22 refrigerant
- CAPT models feature factory-installed thermal expansion valves for cooling and heat pump applications
- Check flowrator for cooling and heat pump applications
- Vertical and horizontal models available
- 21" depth for easier attic access
- Split seam front for easy access
- Foil-faced insulation covers the internal casing to reduce cabinet condensation
- Galvanized, leather grain-embossed finish
- Rust resistant, thermoplastic drain pans featuring a low water-retention design
- DecaBDE-free thermoplastic drain pan with secondary drain connections
- UV-resistant drain pan
- AHRI certified; ETL listed

Note: Do not use these coils on oil furnaces or any applications where the temperature on the drain pan may exceed 300°F. If these coils are applied with an oil furnace or another application where high temperatures threaten or jeopardize the durability of the drain pan, you must replace the factory-installed drain pan with a high-temperature drain pan. High-temperature drain pan kits are available as field-installed accessories.



* Complete warranty details available from your local dealer or at www.goodmanmfg.com. To receive the 10-Year Parts Limited Warranty, online registration must be completed within 60 days of installation. Online registration is not required in California or Québec.



NOMENCLATURE

	C	A	U	F	1824	A	6	AA	
	1	2	3	4	5,6,7,8	9	10	11,12	
Product Category C - Indoor Coil									Engineering Major/Minor Revisions
Application A - Upflow/Downflow Coil H - Horizontal A Coil S - Horizontal Slab Coil									Refrigerant 6 - R-22 / R-410A 2 - R-22 4 - R-410A
Cabinet Finish U - Uncased P - Painted C - Unpainted									Nominal Width for Gas Furnace A - Fits 14" Furnace Cabinet B - Fits 17½" Furnace Cabinet C - Fits 21" Furnace Cabinet D - Fits 24½" Furnace Cabinet N-Does Not Apply (horizontal slab coil)
Expansion Device F - Flowrator T - TXV									Nominal Capacity Range @ 13 SEER 1824 - 1½ to 2 Tons 3642 - 3 to 3½ Tons 3030 - 2½ Tons 3743 - 3 to 3½ Tons 3131 - 2½ Tons 4860 - 4 to 5 Tons 3137 - 2 ½ to 3 Tons 4961 - 4 to 5 Tons 3636 - 3 Tons

CAUF — UNCASED UPFLOW/DOWNFLOW INDOOR COILS



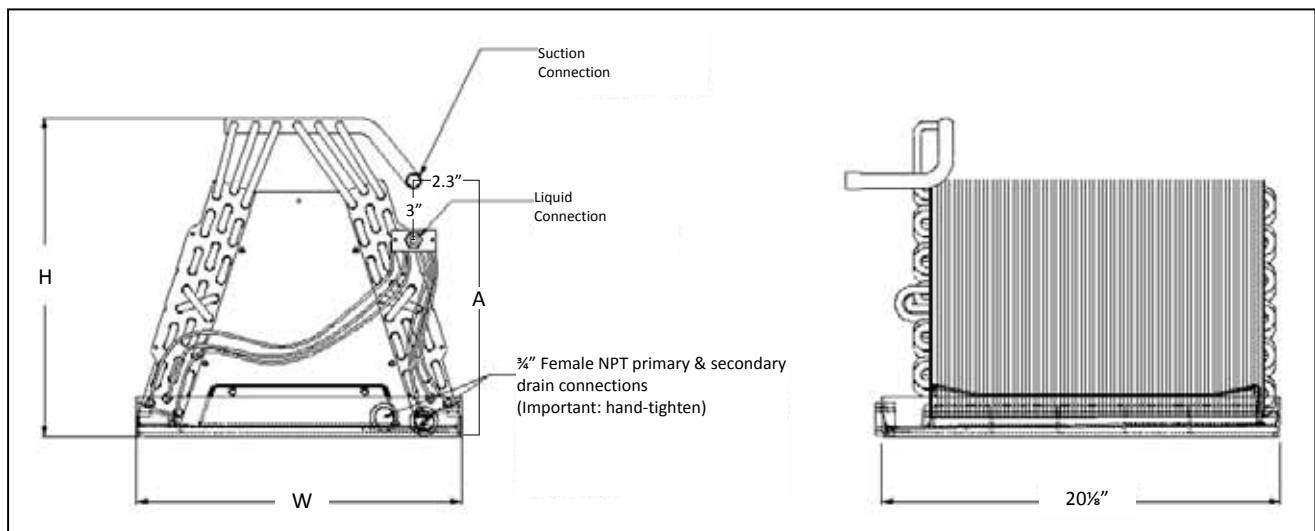
SPECIFICATIONS

MODEL	DIMENSIONS			NOMINAL TONS	CONNECTION		PISTON SIZE*	SHIP WEIGHT (LBS)
	W	H	A		LIQUID	SUCTION		
CAUF1824A6	13"	16 1/4"	13"	1 1/2-2	3/8"	3/4"	.059	18
CAUF1824B6	16 1/2"	16 3/8"	13"	1 1/2-2	3/8"	3/4"	.059	23
CAUF1824C6	20"	16 3/8"	17"	1 1/2-2	3/8"	3/4"	.059	27
CAUF3030A6	13"	20 1/16"	17"	2 1/2	3/8"	3/4"	.065	25
CAUF3030B6	16 1/2"	18 3/4"	17"	2 1/2	3/8"	3/4"	.065	22
CAUF3030C6	20"	17 3/8"	17"	2 1/2	3/8"	3/4"	.065	25
CAUF3030D6	23"	17 3/8"	17"	2 1/2	3/8"	3/4"	.065	32
CAUF3131B6	16 1/2"	20 1/16"	17"	2 1/2	3/8"	3/4"	.068	27
CAUF3137B6	16 1/2"	27"	25"	2 1/2-3	3/8"	3/4"	.071	53
CAUF3131C6	20"	20"	17"	2 1/2	3/8"	3/4"	.068	31
CAUF3636A6	13"	19 1/2"	17"	3	3/8"	3/4"	.071	30
CAUF3636B6	16 1/2"	19 3/8"	17"	3	3/8"	3/4"	.071	25
CAUF3636C6	20"	19 3/8"	17"	3	3/8"	3/4"	.071	28
CAUF3636D6	23"	19 3/8"	17"	3	3/8"	3/4"	.071	36
CAUF3642C6	20"	19"	17"	3-3 1/2	3/8"	3/4"	.078	29
CAUF3642D6	23"	19 3/8"	17"	3-3 1/2	3/8"	3/4"	.078	34
CAUF3743C6	20"	28 1/16"	25"	3-3 1/2	3/8"	7/8"	.078	46
CAUF3743D6	23"	27 3/8"	25"	3-3 1/2	3/8"	7/8"	.078	43
CAUF4860C6	20"	28"	25"	4-5	3/8"	7/8"	.093	48
CAUF4860D6	23"	28"	25"	4-5	3/8"	7/8"	.093	39
CAUF4961C6	20"	28"	25"	4-5	3/8"	7/8"	.093	54
CAUF4961D6	23"	27"	25"	4-5	3/8"	7/8"	.093	59

* Shipped with Coil

Note: For a properly matched system and piston sizing information, refer to Goodman piston kit chart of the corresponding Goodman® outdoor unit.

DIMENSIONS



CAPF — CASED UPFLOW/DOWNFLOW INDOOR COILS



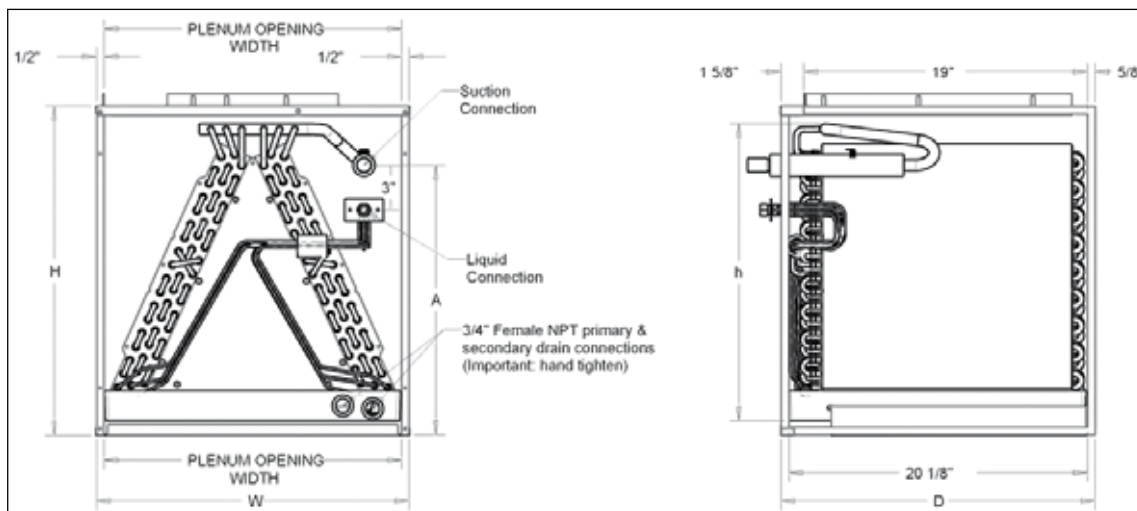
SPECIFICATIONS

MODEL	CABINET DIMENSIONS			NOMINAL TONS	CONNECTION		PISTON SIZE*	SHIP WEIGHT (LBS)
	W	D	H		LIQUID	SUCTION		
CAPF1824A6	14"	21"	18"	1½-2	¾"	¾"	.059	32
CAPF1824B6	17½"	21"	18"	1½-2	¾"	¾"	.059	35
CAPF1824C6	21"	21"	22"	1½-2	¾"	¾"	.059	42
CAPF3030A6	14"	21"	22"	2½	¾"	¾"	.065	41
CAPF3030B6	17½"	21"	22"	2½	¾"	¾"	.065	43
CAPF3030C6	21"	21"	22"	2½	¾"	¾"	.065	44
CAPF3030D6	24½"	21"	22"	2½	¾"	¾"	.065	52
CAPF3131B6	17½"	21"	22"	2½	¾"	¾"	.068	46
CAPF3137B6	17½"	21"	30"	2½-3	¾"	¾"	.071	53
CAPF3131C6	21"	21"	22"	2½	¾"	¾"	.068	50
CAPF3636A6	14"	21"	22"	3	¾"	¾"	.071	40
CAPF3636B6	17½"	21"	22"	3	¾"	¾"	.071	44
CAPF3636C6	21"	21"	22"	3	¾"	¾"	.071	53
CAPF3636D6	24½"	21"	22"	3	¾"	¾"	.071	51
CAPF3642C6	21"	21"	22"	3-3½	¾"	¾"	.078	49
CAPF3642D6	24½"	21"	22"	3-3½	¾"	¾"	.078	52
CAPF3743C6	21"	21"	30"	3-3½	¾"	¾"	.078	63
CAPF3743D6	24½"	21"	30"	3-3½	¾"	¾"	.078	75
CAPF4860C6	21"	21"	30"	4-5	¾"	¾"	.093	65
CAPF4860D6	24½"	21"	30"	4-5	¾"	¾"	.093	68
CAPF4961C6	21"	21"	30"	4-5	¾"	¾"	.093	73
CAPF4961D6	24½"	21"	30"	4-5	¾"	¾"	.093	76

* Shipped with Coil

Note: For a properly matched system and piston sizing information, refer to Goodman piston kit chart of the corresponding Goodman® outdoor unit.

DIMENSIONS



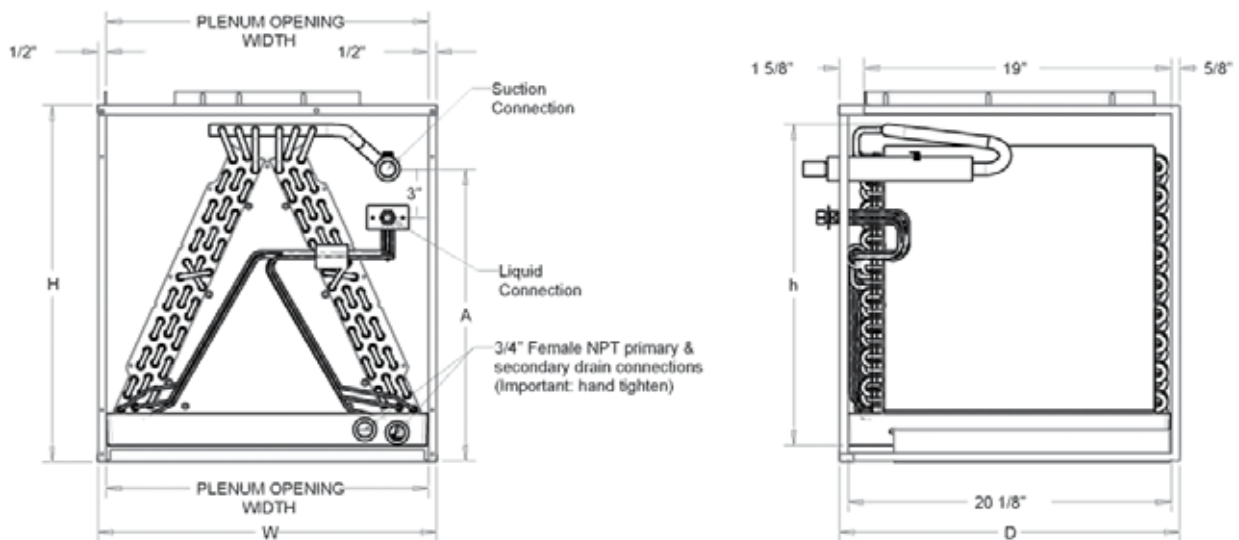
CAPT — CASED UPFLOW/DOWNFLOW INDOOR COILS WITH INTERNAL TXV



SPECIFICATIONS

MODEL	CABINET DIMENSIONS			NOMINAL TONS	CONNECTION		SHIP WEIGHT (LBS)
	W	D	H		LIQUID	SUCTION	
CAPT3131B4	17½"	21"	22"	2½	⅜"	¾"	46
CAPT3131C4	21"	21"	22"	2½	⅜"	¾"	50
CAPT3743C4	21"	21"	30"	3-3½	⅜"	⅞"	63
CAPT3743D4	24½"	21"	30"	3-3½	⅜"	⅞"	75
CAPT4961C4	21"	21"	30"	4-5	⅜"	⅞"	73
CAPT4961D4	24½"	21"	30"	4-5	⅜"	⅞"	76

DIMENSIONS



PRODUCT SPECIFICATIONS

CHPF — CASED HORIZONTAL "A" INDOOR COIL



SPECIFICATIONS

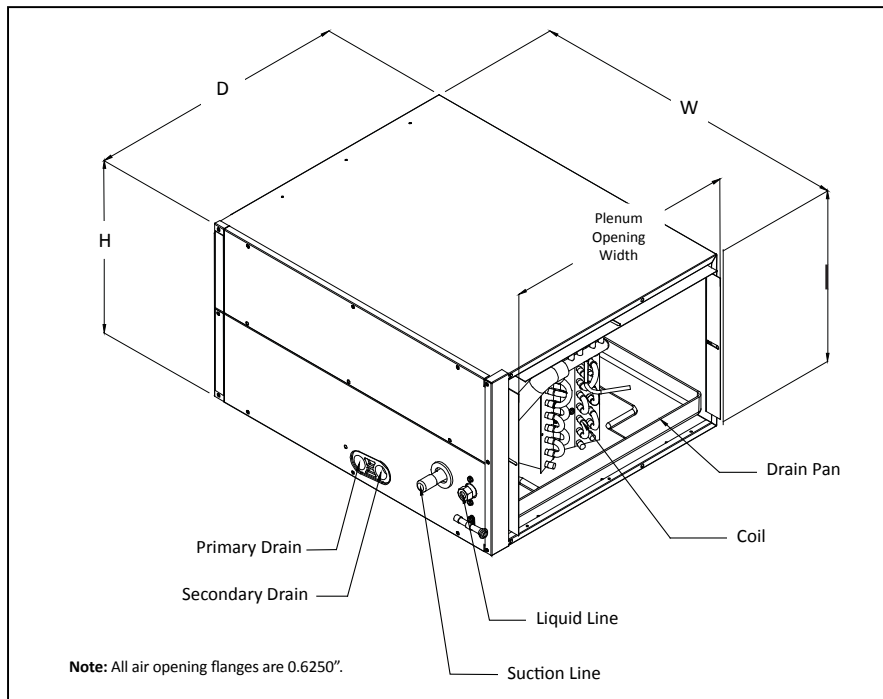
MODEL	CABINET DIMENSIONS			PLENUM		NOMINAL TONS	CONNECTION		PISTON SIZE ²	SHIP WEIGHT (LBS)
	D	W	H	D	H		LIQUID	SUCTION		
CHPF1824A6	21 $\frac{1}{8}$ "	26"	14"	19"	13"	1 $\frac{1}{2}$ -2	$\frac{3}{8}$ "	$\frac{3}{4}$ "	.059	36
CHPF2430B6	21 $\frac{1}{8}$ "	26"	17 $\frac{1}{2}$ "	19"	16 $\frac{1}{2}$ "	2-2 $\frac{1}{2}$	$\frac{3}{8}$ "	$\frac{3}{4}$ "	.065	55
CHPF3636B6	21 $\frac{1}{8}$ "	26"	17 $\frac{1}{2}$ "	19"	16 $\frac{1}{2}$ "	3	$\frac{3}{8}$ "	$\frac{3}{4}$ "	.074	50
CHPF3642C6	21 $\frac{1}{8}$ "	26"	21"	19"	20"	3-3 $\frac{1}{2}$	$\frac{3}{8}$ "	$\frac{3}{4}$ "	.076	63
CHPF3642D6	21 $\frac{1}{8}$ "	26"	24 $\frac{1}{2}$ "	19"	23 $\frac{1}{2}$ "	3-3 $\frac{1}{2}$	$\frac{3}{8}$ "	$\frac{7}{8}$ "	.078	66
CHPF3743C6	21 $\frac{1}{8}$ "	26"	21"	19"	20"	3-3 $\frac{1}{2}$	$\frac{3}{8}$ "	$\frac{7}{8}$ "	.076	63
CHPF3743D6	21 $\frac{1}{8}$ "	26"	24 $\frac{1}{2}$ "	19"	23 $\frac{1}{2}$ "	3-3 $\frac{1}{2}$	$\frac{3}{8}$ "	$\frac{7}{8}$ "	.078	63
CHPF4860D6	21 $\frac{1}{8}$ "	26"	24 $\frac{1}{2}$ "	19"	23 $\frac{1}{2}$ "	4-5	$\frac{3}{8}$ "	$\frac{7}{8}$ "	.093	77

¹ (ft²)

² Shipped with Coil

Note: For a properly matched system and piston sizing information, refer to Amana piston kit chart of the corresponding Amana® outdoor unit.

DIMENSIONS



CSCF — HORIZONTAL SLAB EVAPORATOR COILS



SPECIFICATIONS

MODEL	CAPACITY (TONS)	EVAP COIL FACE AREA ¹	CONNECTION SIZE		PISTON SIZE ²	SHIP WEIGHT (LBS)
			LIQUID	SUCTION		
CSCF1824N6	1½-2	3½	¾"	¾"	.059	43
CSCF3036N6	2½-3	4½	¾"	7/8"	.074	52.5
CSCF3642N6	3-3½	5½	¾"	7/8"	.078	43
CSCF4860N6	4-5	5½	¾"	7/8"	.093	60

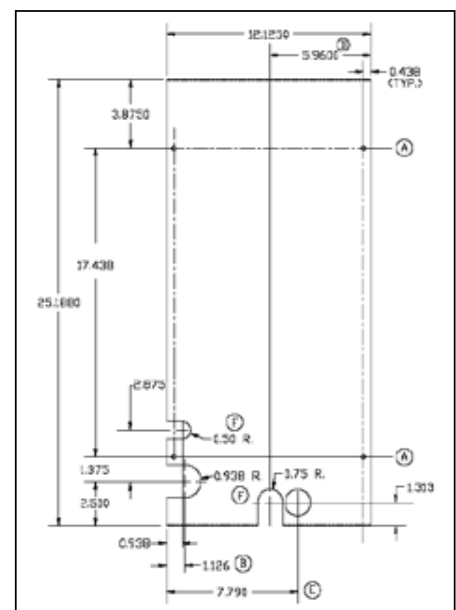
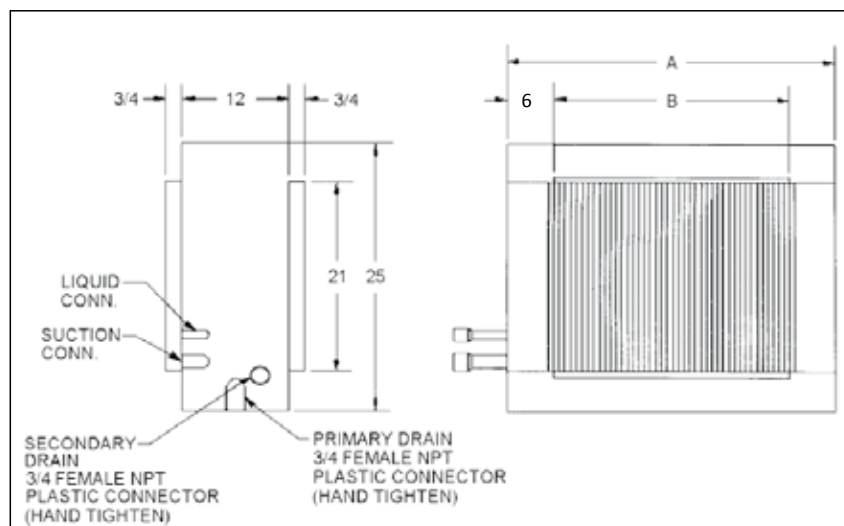
¹ (ft²)

² Shipped with Coil

Note: For a properly matched system and piston sizing information, refer to Goodman piston kit chart of the corresponding Goodman® outdoor unit.

DIMENSIONS

MODEL	CABINET DIMENSIONS			PLENUM OPENING	
	D (A)	W	H	D (B)	H
CSCF1824N6	25½"	12"	25"	16"	21"
CSCF3036N6	33½"	12"	25"	24"	21"
CSCF3642N6	39½"	12"	25"	30"	21"
CSCF4860N6	39½"	12"	25"	30"	21"



DETAIL OF ACCESS DOOR

AIRFLOW DATA FOR CAUF & CAPF (CONT.)

AIR QUANTITY (SCFM) VS. PRESSURE DROP (IN. WC)

CA*F3642C6*	Wet	2200	2100	2000	1900	1800	1700	1600	1500	1400	1300	1200	1100	1000	900	800	700	600	SCFM	
	Dry	0.540	0.500	0.460	0.420	0.380	0.360	0.330	0.290	0.260	0.230	0.200	0.170	0.140	0.120	0.110	0.100	0.090	0.080	0.07
	Wet	0.470	0.430	0.400	0.370	0.330	0.310	0.280	0.250	0.230	0.200	0.170	0.150	0.140	0.110	0.110	0.100	0.090	0.080	0.07
	Dry	0.480	0.460	0.420	0.380	0.350	0.330	0.300	0.270	0.240	0.210	0.190	0.160	0.160	0.140	0.110	0.110	0.090	0.080	0.06
CA*F3642D6*	Wet	2200	2100	2000	1900	1800	1700	1600	1500	1400	1300	1200	1100	1000	900	800	700	600	SCFM	
	Dry	0.390	0.360	0.330	0.300	0.280	0.260	0.240	0.220	0.190	0.170	0.150	0.130	0.110	0.100	0.090	0.080	0.074	0.046	0.046
	Wet	0.306	0.279	0.253	0.230	0.210	0.196	0.176	0.160	0.147	0.126	0.110	0.107	0.086	0.076	0.074	0.056	0.046	0.046	0.046
	Dry	0.253	0.230	0.210	0.196	0.176	0.160	0.147	0.126	0.110	0.107	0.086	0.076	0.074	0.056	0.046	0.046	0.046	0.046	0.046
CA*F3743C6*	Wet	2200	2100	2000	1900	1800	1700	1600	1500	1400	1300	1200	1100	1000	900	800	700	600	SCFM	
	Dry	0.423	0.383	0.353	0.323	0.293	0.263	0.233	0.203	0.173	0.143	0.113	0.083	0.053	0.023	0.013	0.003	0.003	0.083	0.083
	Wet	0.373	0.343	0.313	0.283	0.253	0.223	0.193	0.163	0.133	0.103	0.073	0.043	0.013	0.003	0.003	0.003	0.003	0.083	0.073
	Dry	0.306	0.279	0.253	0.229	0.209	0.188	0.169	0.147	0.126	0.107	0.086	0.074	0.056	0.046	0.034	0.022	0.010	0.003	0.074
CA*F3743D6*	Wet	2200	2100	2000	1900	1800	1700	1600	1500	1400	1300	1200	1100	1000	900	800	700	600	SCFM	
	Dry	0.306	0.279	0.253	0.229	0.209	0.188	0.169	0.147	0.126	0.107	0.086	0.074	0.056	0.046	0.034	0.022	0.010	0.003	0.074
	Wet	0.253	0.230	0.210	0.196	0.176	0.160	0.147	0.126	0.110	0.107	0.086	0.074	0.056	0.046	0.034	0.022	0.010	0.003	0.074
	Dry	0.253	0.230	0.210	0.196	0.176	0.160	0.147	0.126	0.110	0.107	0.086	0.074	0.056	0.046	0.034	0.022	0.010	0.003	0.074
CA*F4860C6*	Wet	2200	2100	2000	1900	1800	1700	1600	1500	1400	1300	1200	1100	1000	900	800	700	600	SCFM	
	Dry	0.601	0.586	0.498	0.454	0.401	0.360	0.320	0.280	0.240	0.200	0.160	0.120	0.080	0.040	0.020	0.010	0.005	0.167	0.167
	Wet	0.485	0.460	0.395	0.349	0.309	0.264	0.220	0.176	0.132	0.088	0.044	0.022	0.011	0.005	0.005	0.005	0.005	0.167	0.160
	Dry	0.417	0.300	0.280	0.250	0.230	0.200	0.180	0.150	0.130	0.100	0.080	0.060	0.040	0.030	0.020	0.010	0.005	0.138	0.126
CA*F4860D6*	Wet	2200	2100	2000	1900	1800	1700	1600	1500	1400	1300	1200	1100	1000	900	800	700	600	SCFM	
	Dry	0.643	0.628	0.540	0.496	0.443	0.402	0.362	0.322	0.282	0.242	0.202	0.162	0.122	0.082	0.042	0.022	0.012	0.209	0.167
	Wet	0.487	0.462	0.397	0.351	0.307	0.264	0.220	0.176	0.132	0.088	0.044	0.022	0.011	0.005	0.005	0.005	0.005	0.209	0.160
	Dry	0.419	0.302	0.282	0.252	0.232	0.202	0.182	0.152	0.132	0.102	0.082	0.062	0.042	0.032	0.022	0.012	0.005	0.138	0.126
CA*F4961C6*	Wet	2200	2100	2000	1900	1800	1700	1600	1500	1400	1300	1200	1100	1000	900	800	700	600	SCFM	
	Dry	0.604	0.431	0.406	0.351	0.307	0.264	0.220	0.176	0.132	0.088	0.044	0.022	0.011	0.005	0.005	0.005	0.005	0.209	0.209
	Wet	0.487	0.462	0.397	0.351	0.307	0.264	0.220	0.176	0.132	0.088	0.044	0.022	0.011	0.005	0.005	0.005	0.005	0.209	0.202
	Dry	0.419	0.302	0.282	0.252	0.232	0.202	0.182	0.152	0.132	0.102	0.082	0.062	0.042	0.032	0.022	0.012	0.005	0.138	0.128
CA*F4961D6*	Wet	2200	2100	2000	1900	1800	1700	1600	1500	1400	1300	1200	1100	1000	900	800	700	600	SCFM	
	Dry	0.643	0.628	0.540	0.496	0.443	0.402	0.362	0.322	0.282	0.242	0.202	0.162	0.122	0.082	0.042	0.022	0.012	0.209	0.209
	Wet	0.487	0.462	0.397	0.351	0.307	0.264	0.220	0.176	0.132	0.088	0.044	0.022	0.011	0.005	0.005	0.005	0.005	0.209	0.202
	Dry	0.419	0.302	0.282	0.252	0.232	0.202	0.182	0.152	0.132	0.102	0.082	0.062	0.042	0.032	0.022	0.012	0.005	0.138	0.128

AIRFLOW DATA FOR CAPT

AIR QUANTITY (SCFM) VS. PRESSURE DROP (IN. WC)

	SCFM	600	700	800	900	1000	1100	1200	1300	1400	1500	1600	1700	1800	1900	2000	2100	2200	
CAPT3131B4*	Wet	0.041	0.049	0.061	0.078	0.090	0.113	0.131	0.140	0.162	0.178	0.210							
	Dry	0.021	0.031	0.039	0.048	0.061	0.072	0.079	0.091	0.110	0.122	0.141							
CAPT3131C4*	Wet	0.035	0.034	0.038	0.051	0.059	0.073	0.087	0.094	0.110	0.125	0.145							
	Dry	0.014	0.022	0.028	0.036	0.045	0.054	0.061	0.068	0.081	0.091	0.108							
CAPT3743C4*	Wet	0.083	0.093	0.113	0.133	0.143	0.163	0.183	0.213	0.243	0.263	0.293	0.323	0.353	0.383	0.423			
	Dry	0.073	0.083	0.103	0.113	0.133	0.153	0.163	0.193	0.213	0.233	0.263	0.293	0.313	0.343	0.373			
CAPT3743D4*	Wet	0.074	0.080	0.089	0.107	0.120	0.129	0.138	0.169	0.188	0.209	0.229	0.251	0.273	0.306				
	Dry	0.046	0.056	0.074	0.076	0.086	0.107	0.110	0.126	0.147	0.160	0.176	0.196	0.210	0.230	0.253			
CAPT4961C4*	Wet	0.209	0.217	0.233	0.286	0.308	0.341	0.397	0.412	0.455	0.496	0.540	0.628	0.643					
	Dry	0.202	0.199	0.236	0.248	0.288	0.306	0.262	0.307	0.332	0.351	0.406	0.431	0.604					
CAPT4961D4*	Wet	0.140	0.158	0.179	0.198	0.228	0.249	0.277	0.300	0.329	0.351	0.397	0.462	0.487					
	Dry	0.128	0.140	0.159	0.178	0.189	0.202	0.182	0.212	0.232	0.252	0.282	0.302	0.419					

AIRFLOW DATA FOR CHPF

AIR QUANTITY (SCFM) VS. PRESSURE DROP (IN. WC)

	SCFM	600	700	800	900	1000	1100	1200	1300	1400								
CHPF 1824A6*	Wet	0.132	0.179	0.222	0.272	0.327	0.381	0.456	0.522	0.605								
	Dry	0.126	0.165	0.206	0.249	0.302	0.354	0.414	0.478	0.563								
	SCFM	600	700	800	900	1000	1100	1200	1300	1400	1500	1600						
CHPF 2430B6*	Wet	0.106	0.124	0.152	0.184	0.218	0.258	0.301	0.350	0.406	0.460	0.514						
	Dry	0.101	0.122	0.145	0.174	0.209	0.247	0.288	0.333	0.381	0.428	0.484						
	SCFM	600	700	800	900	1000	1100	1200	1300	1400	1500	1600						
CHPF 3636B6*	Wet	0.107	0.131	0.167	0.199	0.239	0.291	0.338	0.389	0.439	0.494	0.552						
	Dry	0.102	0.126	0.152	0.184	0.220	0.259	0.303	0.349	0.401	0.458	0.516						
	SCFM	800	900	1000	1100	1200	1300	1400	1500	1600	1700	1800	1900	2000	2100	2200		
CHPF 3642C6*	Wet	0.083	0.103	0.126	0.151	0.178	0.208	0.240	0.274	0.310	0.346	0.383	---	---	---	---		
	Dry	0.073	0.096	0.120	0.144	0.169	0.196	0.224	0.254	0.286	0.319	0.354	---	---	---	---		
CHPF 3642D6*	Wet	0.030	0.040	0.040	0.050	0.060	0.070	0.080	0.080	0.090	0.100	0.110	0.130	0.140	0.150	0.160		
	Dry	0.040	0.050	0.060	0.070	0.080	0.080	0.090	0.100	0.110	0.120	0.120	0.120	0.150	0.160	0.180		
	SCFM	800	900	1000	1100	1200	1300	1400	1500	1600	1700	1800	1900	2000	2100	2200		
CHPF 3743C6*	Wet	0.133	0.153	0.176	0.201	0.228	0.258	0.290	0.324	0.360	0.396	0.433	---	---	---	---		
	Dry	0.123	0.146	0.170	0.194	0.219	0.246	0.274	0.304	0.336	0.369	0.404	---	---	---	---		
CHPF 3743D6*	Wet	0.101	0.105	0.115	0.125	0.145	0.165	0.185	0.215	0.235	0.265	0.295	0.315	0.355	0.375	0.405		
	Dry	0.072	0.095	0.105	0.115	0.135	0.155	0.185	0.205	0.225	0.255	0.275	0.305	0.335	0.365	0.395		
	SCFM	900	1000	1100	1200	1300	1400	1500	1600	1700	1800	1900	2000	2100	2200			
CHPF 4860D6*	Wet	0.101	0.121	0.131	0.161	0.181	0.201	0.231	0.261	0.291	0.321	0.361	0.391	0.431	0.471			
	Dry	0.101	0.121	0.141	0.161	0.181	0.201	0.221	0.251	0.281	0.311	0.341	0.371	0.411	0.441			

AIRFLOW DATA FOR CSCF

AIR QUANTITY (SCFM) VS. PRESSURE DROP (IN. WC)

CSCF18 24N6D*	SCFM	500	600	700	800	900	1000	1100	1200										
	Wet	0.104	0.143	0.176	0.212	0.255	0.292	0.321	0.344										
CSCF30 36N6D*	Dry	0.048	0.067	0.086	0.108	0.132	0.159	0.186	0.206										
	SCFM			700	800	900	1000	1100	1200	1300	1400								
CSCF36 42N6D*	Wet			0.062	0.076	0.092	0.109	0.131	0.156	0.186	0.209								
	Dry			0.032	0.043	0.055	0.068	0.082	0.099	0.114	0.131								
CSCF48 60N6D*	SCFM				800	900	1000	1100	1200	1300	1400	1500	1600	1700	1800	1900	2000	2100	2200
	Wet				0.045	0.063	0.081	0.099	0.116	0.132	0.148	0.166	0.183	0.202	0.22	0.236	0.259	0.278	0.291
CSCF48 60N6D*	Dry				0.039	0.051	0.064	0.077	0.092	0.105	0.121	0.138	0.15	0.175	0.191	0.214	0.23	0.251	0.262
	SCFM				800	900	1000	1100	1200	1300	1400	1500	1600	1700	1800	1900	2000	2100	2200
CSCF48 60N6D*	Wet				0.051	0.068	0.085	0.103	0.12	0.137	0.154	0.173	0.192	0.212	0.233	0.255	0.278	0.299	0.319
	Dry				0.043	0.056	0.069	0.084	0.099	0.115	0.132	0.149	0.167	0.185	0.207	0.227	0.249	0.272	.282**

** Maximum SCFM = 2146

ACCESSORIES

EXPANSION VALVE KITS FOR NON-TXV COILS

KIT NUMBER	DESCRIPTION	APPLICATION	REFRIGERANT	TONNAGE: OUTDOOR UNIT
TXV-30 ²	Non-bleed Valve	AC Only	R-410A	1½ - 2½ Ton
TXV-42 ²	Non-bleed Valve	AC Only	R-410A	3 - 3½ Ton
TXV-48 ²	Non-bleed Valve	AC Only	R-410A	4 Ton
TXV-60 ²	Non-bleed Valve	AC Only	R-410A	5 Ton
TX2N4A	Non-bleed Valve	AC or HP	R-410A	1½ - 2 Ton
TX3N4	Non-bleed Valve	AC or HP	R-410A	2½ - 3 Ton
TX5N4	Non-bleed Valve	AC or HP	R-410A	3½ - 5 Ton

Note: Condensing units and heat pumps with reciprocating compressors require the use of start-assist components when used in conjunction with an indoor coil using a non-bleed thermal expansion valve refrigerant metering device.

HIGH-TEMP DRAIN PAN KITS

DRAIN PAN KITS	FURNACE SIZE
HTP-A	14" furnaces
HTP-B	17½" furnaces
HTP-C	21" furnaces
HTP-D	24½" furnaces