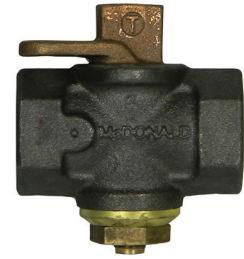


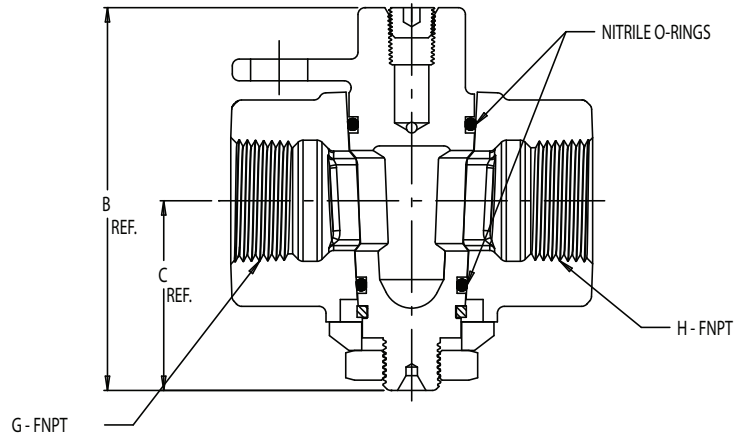
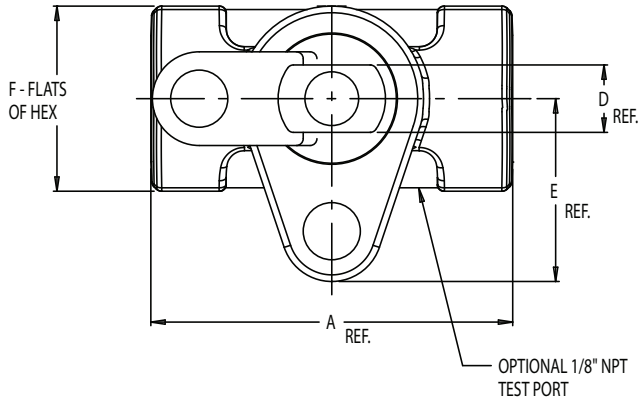
SUBMITTAL DATA SHEET

Iron Body Gas Valve - Plug Style - Gas Only Flat Head Lockwing Tamperproof - 10687B

Inlet: FNPT Thread, Outlet: FNPT Thread



Cast iron body, brass plug manually operated 175 PSIG natural, manufactured, or propane gas valve for use in above ground gas piping systems in ambient temperatures between -20°F to 150°F. Iron body valves considered full port of flow.



Dimensions

Size	A	B	C	D	E	F	G	H
1/2"	3.14	3.34	1.66	.59	1.60	1.62	1/2	1/2
3/4"	3.14	3.34	1.66	.59	1.60	1.62	3/4	3/4
1"	3.36	3.67	1.86	.59	1.67	1.94	1	1
1 1/4"	3.88	4.69	2.37	.65	1.94	2.31	1 1/4	1 1/4
1 1/2"	4.66	5.43	2.65	.62	2.31	2.62	1 1/2	1 1/2
2"	5.60	5.82	2.96	.47	2.53	3.00	2	2



Non-Potable
Use Only

SUBMITTAL INFORMATION

- Sizes: 1/2", 3/4", 1", 1 1/4", 1 1/2", 2"
- 175 PSIG
- NOTE: All A.Y. McDonald plug style gas valves are factory set. DO NOT TAMPER WITH BOTTOM NUT.
- Iron Body - Less Check
- Brass Plug
- Relubable Plug
- Threads per ANSI / ASME B1.20.1
- Manufactured to the guidelines set forth in ASME B16.33

WARNING: It is unlawful in CALIFORNIA & VERMONT (effective 1/1/2010); MARYLAND (effective 1/1/2012); LOUISIANA (effective 1/1/2013) and the UNITED STATES OF AMERICA (effective 1/4/2014) to use THIS PRODUCT in the installation or repair of any public water system or any plumbing in a facility or system that provides water for human consumption. The wetted surface area of THIS PRODUCT has a weighted average lead content greater than 0.25%.



A.Y. McDonald Mfg. Co.
P.O. Box 508
Dubuque, IA 52004-0508

Toll Free: 1-800-292-2737
Fax: 1-800-832-9296
Hours: 7:00 a.m. - 5:00 p.m., CST

sales@aymcdonald.com
www.aymcdonald.com

A.Y. McDonald considers the information on this assembly drawing correct when published. Item and option availability, including specifications, are subject to change without notice.

Submitted by: