

ELKAY®

SPECIFICATIONS

Gourmet Deep Single Bowl Sink
Models DLR and DLRQ, DLRS and DLRSQ Series

GENERAL

Highest quality sink formed of #18 (1.2mm) gauge, type 304 (18-8) nickel bearing stainless steel. Top mount.

DESIGN FEATURES

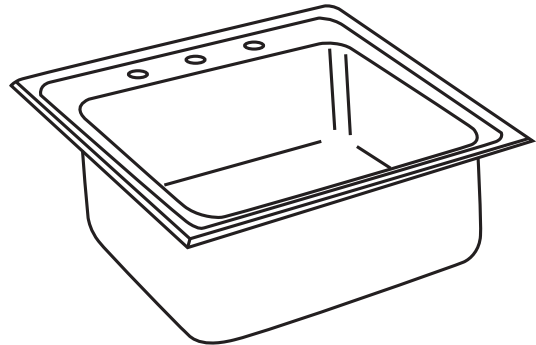
Bowl Depth: See chart on next page.

Coved Corners: 1-3/4" (44mm) vertical and horizontal radius.

Bowl and Faucet Deck Recess: 3/16" (9mm) below outside edge of sink.

Finish: Exposed surfaces are hand blended to a lustrous satin finish.

Underside: Fully undercoated to dampen sound and prevent condensation.



Model DLR(Q)2522103

OTHER

Drain Opening: 3-1/2" (89mm).

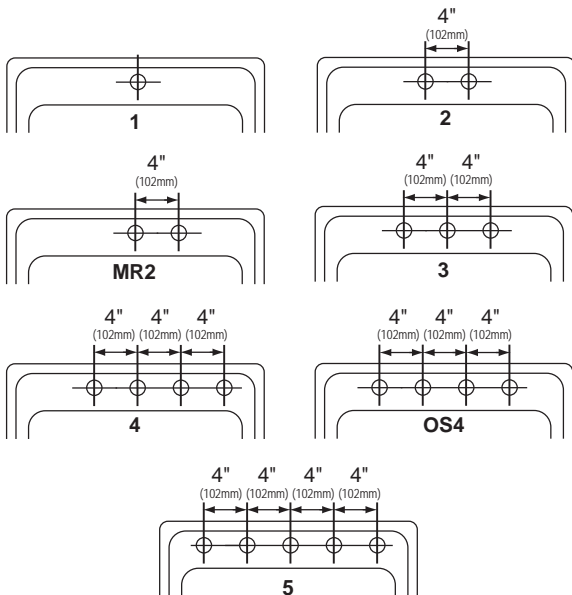
Sink complies with ASME A112.19.3/ CSA B45.4



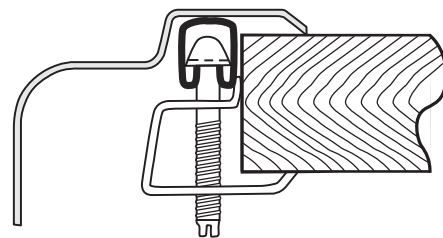
Sinks are listed by IAPMO® as meeting the applicable requirements of the Uniform Plumbing Code®, International Plumbing Code®, and National Plumbing Code of Canada.



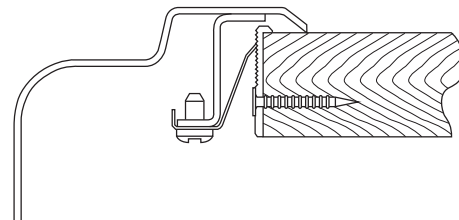
HOLE DRILLING CONFIGURATIONS



U-Channel Type Mounting System



Quick-Clip® Mounting System



In keeping with our policy of continuing product improvement, Elkay reserves the right to change product specifications without notice. Please visit elkay.com for the most current version of Elkay product specification sheets.

This specification describes an Elkay product with design, quality, and functional benefits to the user. When making a comparison of other producers' offerings, be certain these features are not overlooked.

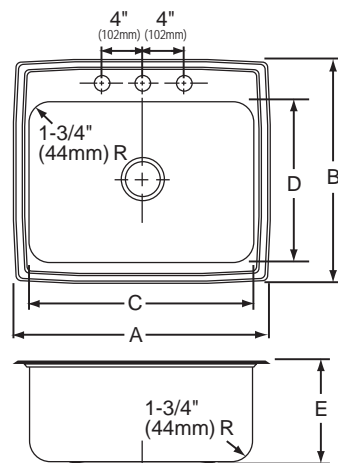
Gourmet® Deep Single Bowl Sink
Models DLR and DLRO, DLRS and DLRSQ Series

ELKAY®
SPECIFICATIONS

SINK DIMENSIONS*

| U-Channel Model Number | Quick-Clip® Model Number | Overall | | Inside Bowl | | | Cutout in Countertop [1 1/2" (38mm) Radius Corners] | | No. of 1 1/2" (38mm) Dia. Faucet Holes 4" (102mm) Center | Minimum Cabinet Size |
|------------------------|--------------------------|----------------|----------------|----------------|----------------|----------------|---|----------------|--|----------------------|
| | | L | W | L | W | D | L | W | | |
| | | A | B | C | D | E | L | W | | |
| DLR151710 | - | 15 (381mm) | 17 1/2 (445mm) | 12 (305mm) | 12 (305mm) | 10 (254mm) | 14 3/8 (365mm) | 16 7/8 (429mm) | 1, 2, MR2, 3 | 18 (457mm) |
| DLR171610 | DLRO171610 | 17 (432mm) | 16 (406mm) | 14 (356mm) | 10 (254mm) | 10 1/8 (257mm) | 16 3/8 (416mm) | 15 3/8 (391mm) | 1, 2, MR2, 3, OS4 | 21 (533mm) |
| DLR172010 | DLRO172010 | 17 (432mm) | 20 (508mm) | 14 (356mm) | 14 (356mm) | 10 1/8 (257mm) | 16 3/8 (416mm) | 19 3/8 (492mm) | 1, 2, MR2, 3, OS4 | 21 (533mm) |
| DLR172210 | DLRO172210 | 17 (432mm) | 22 (559mm) | 13 1/2 (343mm) | 16 (406mm) | 10 1/8 (257mm) | 16 3/8 (416mm) | 21 3/8 (543mm) | 1, 2, MR2, 3, OS4 | 21 (533mm) |
| DLR191910 | DLRO191910 | 19 1/2 (495mm) | 19 (483mm) | 16 (406mm) | 13 1/2 (343mm) | 10 1/8 (257mm) | 18 7/8 (479mm) | 18 3/8 (467mm) | 1, 2, MR2, 3, OS4 | 24 (610mm) |
| DLR202210 | DLRO202210 | 19 1/2 (495mm) | 22 (559mm) | 16 (406mm) | 16 (406mm) | 10 1/8 (257mm) | 18 7/8 (479mm) | 21 3/8 (543mm) | 1, 2, MR2, 3, OS4 | 24 (610mm) |
| DLR221910 | DLRO221910 | 22 (559mm) | 19 1/2 (495mm) | 18 (457mm) | 14 (356mm) | 10 1/8 (257mm) | 21 3/8 (543mm) | 18 7/8 (479mm) | 1, 2, MR2, 3, 4, 5 | 27 (686mm) |
| DLR222210 | DLRO222210 | 22 (559mm) | 22 (559mm) | 19 (483mm) | 16 (406mm) | 10 1/8 (257mm) | 21 3/8 (543mm) | 21 3/8 (543mm) | 1, 2, MR2, 3, 4, 5 | 27 (686mm) |
| DLR222212 | DLRO222212 | 22 (559mm) | 22 (559mm) | 19 (483mm) | 16 (406mm) | 12 1/8 (308mm) | 21 3/8 (543mm) | 21 3/8 (543mm) | 1, 2, MR2, 3, 4, 5 | 27 (686mm) |
| DLR252110 | - | 25 (635mm) | 21 1/4 (540mm) | 21 (533mm) | 15 3/4 (400mm) | 10 3/8 (264mm) | 24 3/8 (619mm) | 20 5/8 (524mm) | 1, 2, MR2, 3, 4, 5 | 30 (762mm) |
| DLR252210 | DLRO252210 | 25 (635mm) | 22 (559mm) | 21 (533mm) | 15 3/4 (400mm) | 10 1/8 (257mm) | 24 3/8 (619mm) | 21 3/8 (543mm) | 1, 2, MR2, 3, 4, 5 | 30 (762mm) |
| DLR252212 | DLRO252212 | 25 (635mm) | 22 (559mm) | 21 (533mm) | 15 3/4 (400mm) | 12 1/8 (308mm) | 24 3/8 (619mm) | 21 3/8 (543mm) | 1, 2, MR2, 3, 4, 5 | 30 (762mm) |
| DLR312210 | DLRO312210 | 31 (787mm) | 22 (559mm) | 28 (711mm) | 16 (406mm) | 10 1/8 (257mm) | 30 3/8 (772mm) | 21 3/8 (543mm) | 1, 2, MR2, 3, 4, 5 | 36 (914mm) |
| DLR312212 | DLRO312212 | 31 (787mm) | 22 (559mm) | 28 (711mm) | 16 (406mm) | 11 5/8 (295mm) | 30 3/8 (772mm) | 21 3/8 (543mm) | 1, 2, MR2, 3, 4, 5 | 36 (914mm) |
| DLRS332210 | DLRSQ332210 | 33 (838mm) | 22 (559mm) | 28 (711mm) | 16 (406mm) | 10 1/8 (257mm) | 32 3/8 (822mm) | 21 3/8 (543mm) | 1, 2, MR2, 3, 4, 5 | 36 (914mm) |
| DLRS332212 | - | 33 (838mm) | 22 (559mm) | 28 (711mm) | 16 (406mm) | 11 5/8 (295mm) | 32 3/8 (822mm) | 21 3/8 (543mm) | 1, 2, MR2, 3, 4, 5 | 36 (914mm) |

*Length is left to right. Width is front to back.



In keeping with our policy of continuing product improvement, Elkay reserves the right to change product specifications without notice. Please visit elkay.com for the most current version of Elkay product specification sheets.

This specification describes an Elkay product with design, quality, and functional benefits to the user. When making a comparison of other producers' offerings, be certain these features are not overlooked.