

# ELKAY®

## SPECIFICATIONS

Gourmet Deep Single Bowl Sink  
Models DLR and DLRQ, DLRS and DLRSQ Series

### GENERAL

Highest quality sink formed of #18 (1.2mm) gauge, type 304 (18-8) nickel bearing stainless steel. Top mount.

### DESIGN FEATURES

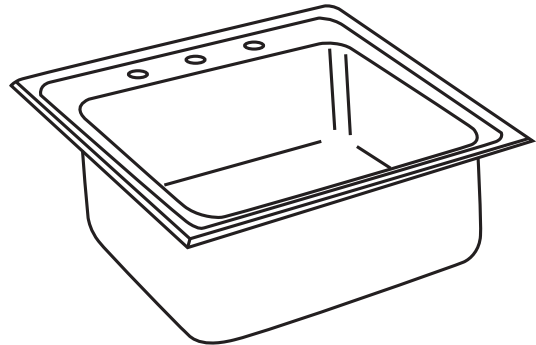
Bowl Depth: See chart on next page.

Coved Corners: 1-3/4" (44mm) vertical and horizontal radius.

Bowl and Faucet Deck Recess: 3/16" (9mm) below outside edge of sink.

Finish: Exposed surfaces are hand blended to a lustrous satin finish.

Underside: Fully undercoated to dampen sound and prevent condensation.



Model DLR(Q)2522103

### OTHER

Drain Opening: 3-1/2" (89mm).

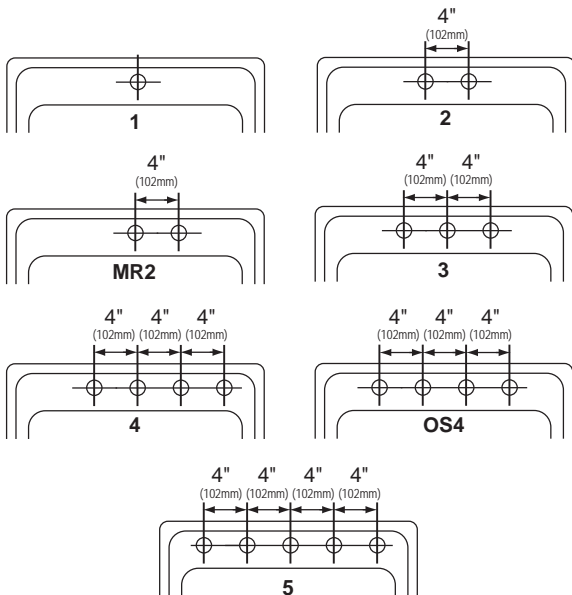
Sink complies with ASME A112.19.3/ CSA B45.4



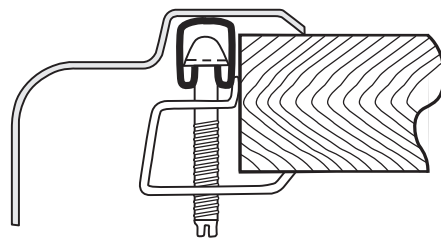
Sinks are listed by IAPMO® as meeting the applicable requirements of the Uniform Plumbing Code®, International Plumbing Code®, and National Plumbing Code of Canada.



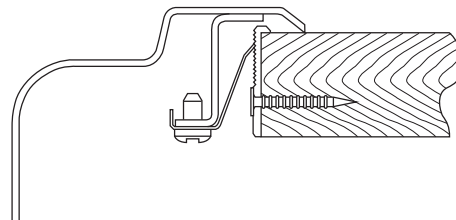
### HOLE DRILLING CONFIGURATIONS



### U-Channel Type Mounting System



### Quick-Clip® Mounting System



In keeping with our policy of continuing product improvement, Elkay reserves the right to change product specifications without notice. Please visit [elkay.com](http://elkay.com) for the most current version of Elkay product specification sheets.

This specification describes an Elkay product with design, quality, and functional benefits to the user. When making a comparison of other producers' offerings, be certain these features are not overlooked.

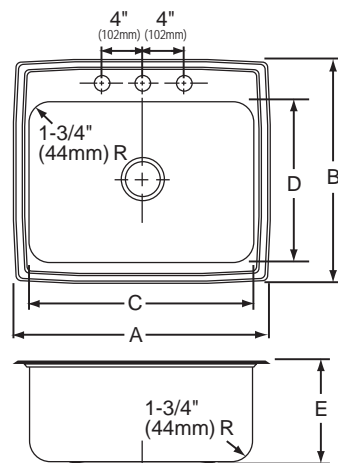
Gourmet® Deep Single Bowl Sink  
Models DLR and DLRO, DLRS and DLRSQ Series

**ELKAY®**  
**SPECIFICATIONS**

SINK DIMENSIONS\*

U-Channel Model Number	Quick-Clip® Model Number	Overall		Inside Bowl			Cutout in Countertop [1 1/2" (38mm) Radius Corners]		No. of 1 1/2" (38mm) Dia. Faucet Holes 4" (102mm) Center	Minimum Cabinet Size
		L	W	L	W	D	L	W		
		A	B	C	D	E	L	W		
DLR151710	-	15 (381mm)	17 1/2 (445mm)	12 (305mm)	12 (305mm)	10 (254mm)	14 3/8 (365mm)	16 7/8 (429mm)	1, 2, MR2, 3	18 (457mm)
DLR171610	DLRO171610	17 (432mm)	16 (406mm)	14 (356mm)	10 (254mm)	10 1/8 (257mm)	16 3/8 (416mm)	15 3/8 (391mm)	1, 2, MR2, 3, OS4	21 (533mm)
DLR172010	DLRO172010	17 (432mm)	20 (508mm)	14 (356mm)	14 (356mm)	10 1/8 (257mm)	16 3/8 (416mm)	19 3/8 (492mm)	1, 2, MR2, 3, OS4	21 (533mm)
DLR172210	DLRO172210	17 (432mm)	22 (559mm)	13 1/2 (343mm)	16 (406mm)	10 1/8 (257mm)	16 3/8 (416mm)	21 3/8 (543mm)	1, 2, MR2, 3, OS4	21 (533mm)
DLR191910	DLRO191910	19 1/2 (495mm)	19 (483mm)	16 (406mm)	13 1/2 (343mm)	10 1/8 (257mm)	18 7/8 (479mm)	18 3/8 (467mm)	1, 2, MR2, 3, OS4	24 (610mm)
DLR202210	DLRO202210	19 1/2 (495mm)	22 (559mm)	16 (406mm)	16 (406mm)	10 1/8 (257mm)	18 7/8 (479mm)	21 3/8 (543mm)	1, 2, MR2, 3, OS4	24 (610mm)
DLR221910	DLRO221910	22 (559mm)	19 1/2 (495mm)	18 (457mm)	14 (356mm)	10 1/8 (257mm)	21 3/8 (543mm)	18 7/8 (479mm)	1, 2, MR2, 3, 4, 5	27 (686mm)
DLR222210	DLRO222210	22 (559mm)	22 (559mm)	19 (483mm)	16 (406mm)	10 1/8 (257mm)	21 3/8 (543mm)	21 3/8 (543mm)	1, 2, MR2, 3, 4, 5	27 (686mm)
DLR222212	DLRO222212	22 (559mm)	22 (559mm)	19 (483mm)	16 (406mm)	12 1/8 (308mm)	21 3/8 (543mm)	21 3/8 (543mm)	1, 2, MR2, 3, 4, 5	27 (686mm)
DLR252110	-	25 (635mm)	21 1/4 (540mm)	21 (533mm)	15 3/4 (400mm)	10 3/8 (264mm)	24 3/8 (619mm)	20 5/8 (524mm)	1, 2, MR2, 3, 4, 5	30 (762mm)
DLR252210	DLRO252210	25 (635mm)	22 (559mm)	21 (533mm)	15 3/4 (400mm)	10 1/8 (257mm)	24 3/8 (619mm)	21 3/8 (543mm)	1, 2, MR2, 3, 4, 5	30 (762mm)
DLR252212	DLRO252212	25 (635mm)	22 (559mm)	21 (533mm)	15 3/4 (400mm)	12 1/8 (308mm)	24 3/8 (619mm)	21 3/8 (543mm)	1, 2, MR2, 3, 4, 5	30 (762mm)
DLR312210	DLRO312210	31 (787mm)	22 (559mm)	28 (711mm)	16 (406mm)	10 1/8 (257mm)	30 3/8 (772mm)	21 3/8 (543mm)	1, 2, MR2, 3, 4, 5	36 (914mm)
DLR312212	DLRO312212	31 (787mm)	22 (559mm)	28 (711mm)	16 (406mm)	11 5/8 (295mm)	30 3/8 (772mm)	21 3/8 (543mm)	1, 2, MR2, 3, 4, 5	36 (914mm)
DLRS332210	DLRSQ332210	33 (838mm)	22 (559mm)	28 (711mm)	16 (406mm)	10 1/8 (257mm)	32 3/8 (822mm)	21 3/8 (543mm)	1, 2, MR2, 3, 4, 5	36 (914mm)
DLRS332212	-	33 (838mm)	22 (559mm)	28 (711mm)	16 (406mm)	11 5/8 (295mm)	32 3/8 (822mm)	21 3/8 (543mm)	1, 2, MR2, 3, 4, 5	36 (914mm)

\*Length is left to right. Width is front to back.



In keeping with our policy of continuing product improvement, Elkay reserves the right to change product specifications without notice. Please visit [elkay.com](http://elkay.com) for the most current version of Elkay product specification sheets.

This specification describes an Elkay product with design, quality, and functional benefits to the user. When making a comparison of other producers' offerings, be certain these features are not overlooked.