

DAYTON® SPECIFICATIONS

Kingsford® Double Bowl Sink Models K23321, K23322 and KJ23322Series

GENERAL

Sink is formed of #23 gauge, 300 series, nickel-bearing stainless steel. Top mount.

DESIGN FEATURES

Bowl Depth: 6-1/16" (156mm)

Rim Heights: 3/16" (5mm)

Faucet Deck: Raised

Coved Corners: 4"(102mm) vertical and 3-1/4"(83mm) horizontal radius.

Bowl Finish: Exposed surfaces are polished to a satin finish.

Underside: Undercoated on bottom of bowls.

OTHER

Drain Opening: 3-1/2" (89mm).

Installation Hardware: Included for 3/4" (19mm) countertop.

OPTIONAL ACCESSORIES

Bottom Grid: GBG1415SS

Drain: LK35, D1125

Sink complies with ASME A112.19.3/ CSA B45.4



Sinks are listed by IAPMO® as meeting the applicable requirements of the Uniform Plumbing Code®, International Plumbing Code®, and National Plumbing Code of Canada.



These sinks are compliant to ADA and ANSI/ICC A117.1 accessibility requirements when installed according to the requirements outlined in these standards.

SINK PACKAGE

K233224DF includes: (1) Sink - K233224, (1) Faucet - LK2478CR, and (2) Drains.

FAUCET FEATURES

Chrome finished, single-lever kitchen faucet with side spray.

Flexible supply tubes with 1/2" (13mm) male IPS adapters.

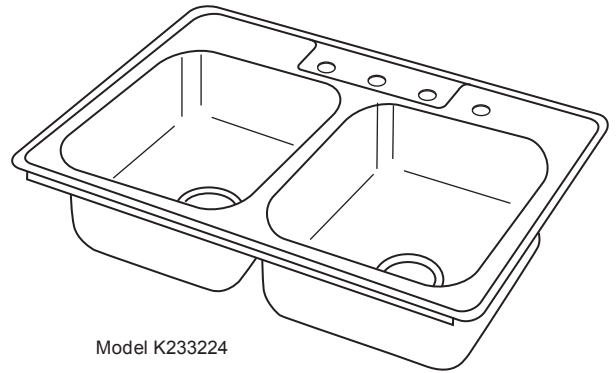
Faucet complies with: ADA, ASME A112.18.1/CSA B125.1, cUPC, CA AB1953

Faucet flow rate: 2.2 GPM/8.3 L/min at 60 P.S.I.G.

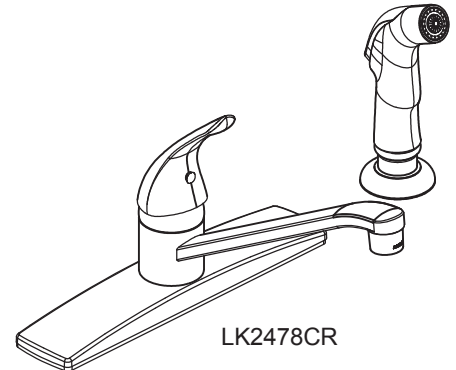
DRAIN FEATURES

Stainless steel body and strainer.

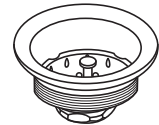
Fits 3-1/2" (89mm) opening.



Model K233224



LK2478CR



In keeping with our policy of continuing product improvement, Elkay reserves the right to change product specifications without notice. Please visit elkay.com for the most current version of Elkay product specification sheets.

This specification describes an Elkay product with design, quality, and functional benefits to the user. When making a comparison of other producers' offerings, be certain these features are not overlooked.

DAYTON® SPECIFICATIONS

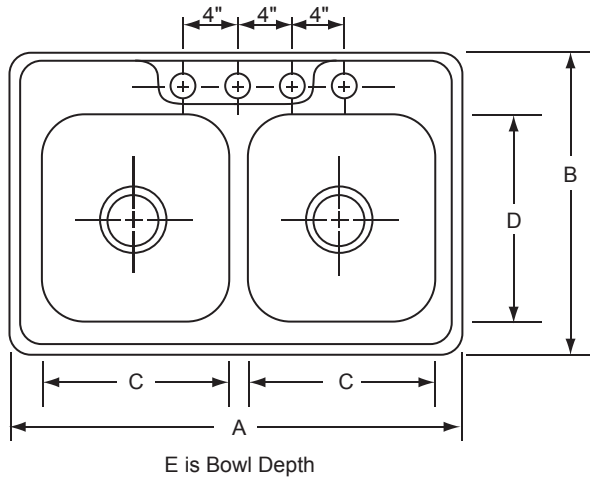
Kingsford® Double Bowl Sink Models K23321, K23322 and KJ23322Series

SINK DIMENSIONS (INCHES)*

U-Channel Model Number	J-Channel Model Number	Overall		Inside Each Bowl			Cutout in Countertop (1-1/2" (38mm) Radius)		No of 1-1/2" (38mm) Dia. Faucet Holes 4"(102mm) Center	Minumim Cabinet Size
		L	W	L	W	D	L	W		
		A	B	C	D	E				
K23321 KW1023321 KW5023321	-	33 (838mm)	21-1/4 (540mm)	14 (356mm)	15-3/4 (356mm)	6-1/16 (154mm)	32-3/8 (822mm)	20-5/8 (524mm)	1, 2, MR2, 3, 4 or 5	36 (914mm)
K23322 KW1023322 KW5023322	KJ23322 KJW1023322 KJW5023322	33 (838mm)	22 (559mm)	14 (356mm)	15-3/4 (400mm)	6-1/16 (154mm)	32-3/8 (822mm)	21-3/8 (542mm)	1, 2, MR2, 3, 4 or 5	36 (914mm)

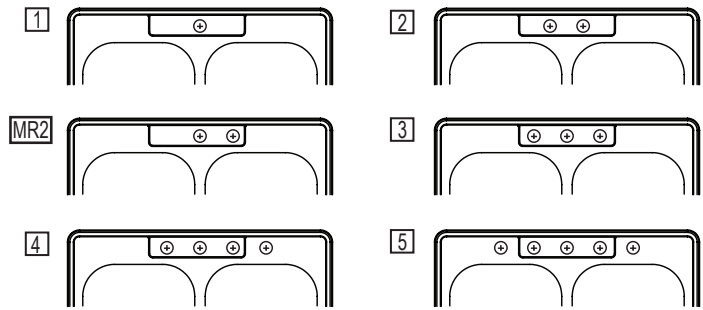
*Length is left to righth. Width is front to back.

**W10 = 10 pack & W50 = 50 pack.

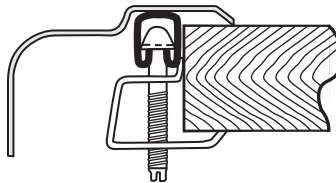


Hole Drilling Configurations

1-1/2" (38mm) Diameter Faucet Holes on 4" (102mm) Centers



U-Channel Type Mounting System



J-Channel Type Mounting System

