

Two Gang Weatherproof Outlet Boxes - Die Cast Metal



TWO GANG OUTLET BOX WITH 7 "X" TYPE THREADED OUTLETS
 STD: 4 $\frac{1}{8}$ " x 4 $\frac{1}{8}$ " x 2", DEEP: 4 $\frac{1}{8}$ " x 4 $\frac{1}{8}$ " x 2 $\frac{1}{2}$ ", closure plugs, ground screw & mounting lugs included

PACKAGE TYPE	BWF No.	Unit UPC 0-87115-	Unit Cubic	Description		Case QTY	Case WT
				Outlets	Color		
SHOW PAK	TGB-57XV	27178-5	30.5	7 - 1/2" X	Grey	12	13
	TGB-77XV	27179-2	30.5	7 - 3/4" X	Grey	12	13
	DTB-57XV	27189-1	40.3	7 - 1/2" X, Deep	Grey	6	7
	DTB75-7XV	27192-1	40.3	7 - 3/4" X, Deep	Grey	6	7
	DTB100-7XV	27195-2	40.3	7 - 1" X, Deep	Grey	6	7

Round Weatherproof Outlet Boxes - Die Cast Metal



ROUND OUTLET BOX WITH 5 THREADED OUTLETS
 4 $\frac{1}{8}$ " x 4 $\frac{1}{8}$ " x 2", closure plugs, ground screw and mounting lugs included

PACKAGE TYPE	BWF No.	Unit UPC 0-87115-	Unit Cubic	Description		Case QTY	Case WT
				Outlets	Color		
SHOW PAK	RB-5V	20066-2	16.5	5 - 1/2"	Grey	16	12
	RB-5AV	20565-0	16.5	5 - 1/2"	Bronze	16	12
	RB-5WV	20765-4	16.5	5 - 1/2"	White	16	12
	RB-7V	27200-3	16.5	5 - 3/4"	Grey	16	12
	RB-7AV	27201-0	16.5	5 - 3/4"	Bronze	16	12
	RB-7WV	27202-7	16.5	5 - 3/4"	White	16	12
BLISTER CARDED	3505	03505-9	117.3	5 - 1/2"	Grey	6	5
	3505AB	20568-1	117.3	5 - 1/2"	Bronze	6	5
	3505W	50030-4	117.3	5 - 1/2"	White	6	5

ROUND OUTLET BOX WITH 5 THREADED OUTLETS AND ROUND BLANK COVER
 4 $\frac{1}{8}$ " x 4 $\frac{1}{8}$ " x 2", cover, screws, closure plugs, ground screw, gasket & mounting lugs included



PACKAGE TYPE	BWF No.	Unit UPC 0-87115-	Unit Cubic	Description		Case QTY	Case WT
				Outlets	Color		
SHOW PAK	RB-5CGV	27208-9	16.5	5 - 1/2"	Grey	16	12
	RB-5CGAV	27209-6	16.5	5 - 1/2"	Bronze	16	12
	RB-5CGWV	27210-2	16.5	5 - 1/2"	White	16	12
	RB-7CGV	27211-9	16.5	5 - 3/4"	Grey	16	12
	RB-7CGAV	27212-6	16.5	5 - 3/4"	Bronze	16	12
	RB-7CGWV	27213-3	16.5	5 - 3/4"	White	16	12



Two Gang Weatherproof Outlet Boxes - Die Cast Metal

BWF PRODUCT BENEFITS & FEATURES

- Rugged, seamless, die-cast construction that prevents moisture entry.
- Reinforced connector outlets provide a secure mechanical installation.
- State of the art powder coat finish for maximum durability.
- Closure plugs, ground screw and mounting lugs included.
- Complete installation instructions included with each product.

COMPLIANCES

- UL Listed and CSA Certified



APPLICATIONS

- For use in branch circuit wiring in wet, damp or dry locations.
- May be used as a weatherproof junction box, or as a housing for receptacles, switches and GFCI's.

TWO GANG OUTLET BOX WITH 3 THREADED OUTLETS

4 5/8" x 4 5/8" x 2", closure plugs, ground screw and mounting lugs included



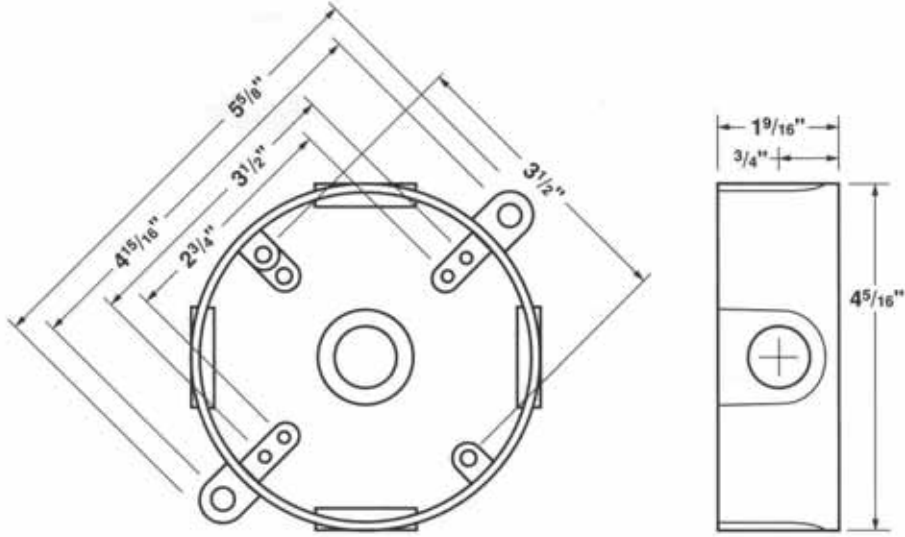
PACKAGE TYPE	BWF No.	Unit UPC 0-87115-	Unit Cubic	Description		Case QTY	Case WT
				Outlets	Color		
SHOW PAK	TGB-5V	19000-0	30.5"	3 - 1/2"	Grey	12	13
	TGB-5AV	27143-3	30.5"	3 - 1/2"	Bronze	12	13
	TGB-5WV	27144-0	30.5"	3 - 1/2"	White	12	13
	TGB-75V	19016-1	30.5"	3 - 3/4"	Grey	12	13
	TGB-75AV	27145-7	30.5"	3 - 3/4"	Bronze	12	13
	TGB-75WV	27146-4	30.5"	3 - 3/4"	White	12	13
	TGB-100V	27147-1	30.5"	3 - 1"	Grey	12	13
	TGB-100AV	27148-8	30.5"	3 - 1"	Bronze	12	13
	TGB-100WV	27149-5	30.5"	3 - 1"	White	12	13
BLISTER CARDED	2503	02503-6	117.3"	3 - 1/2"	Grey	6	8
	2503AB	19508-1	117.3"	3 - 1/2"	Bronze	6	8
	2503W	50020-5	117.3"	3 - 1/2"	White	6	8

TWO GANG OUTLET BOX WITH 4 THREADED OUTLETS

4 5/8" x 4 5/8" x 2", closure plugs, ground screw and mounting lugs included

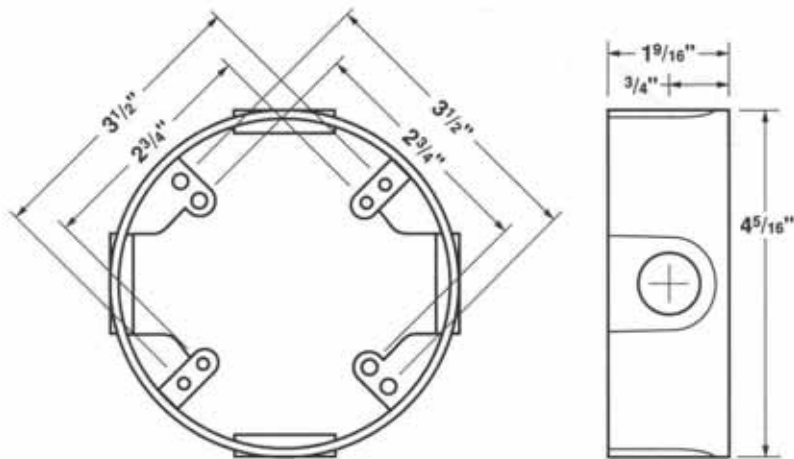


PACKAGE TYPE	BWF No.	Unit UPC 0-87115-	Unit Cubic	Description		Case QTY	Case WT
				Outlets	Color		
SHOW PAK	TGB-54V	19026-0	30.5"	4 - 1/2"	Grey	12	13
	TGB-54AV	27150-1	30.5"	4 - 1/2"	Bronze	12	13
	TGB-54WV	27151-8	30.5"	4 - 1/2"	White	12	13
	TGB75-4V	27152-5	30.5"	4 - 3/4"	Grey	12	13
	TGB75-4AV	27153-2	30.5"	4 - 3/4"	Bronze	12	13
	TGB75-4WV	27154-9	30.5"	4 - 3/4"	White	12	13
BLISTER CARDED	2504	02504-3	117.3"	4 - 1/2"	Grey	6	7
	2504AB	19527-2	117.3"	4 - 1/2"	Bronze	6	7
	2504W	50025-0	117.3"	4 - 1/2"	White	6	7



RB-5, 3505, RB-7

Extensions and Extension Adapters are used to provide additional capacity needed for NEC box fill requirements. Adapters allow installer to add "take-offs" to new boxes and/or devices.



EX-5, EX-7