

# DAYTON<sup>®</sup>

## SPECIFICATIONS

### Dayton<sup>®</sup> Undermount Double Bowl Sink Model DXUH3118 Series

#### GENERAL

Sink is formed of #18 (1.2mm) gauge, 300 series nickel bearing stainless steel. Undermount.

#### DESIGN FEATURES

Bowl Depth: 8" (203mm).

Underside: Sound dampening pads with spray undercoating to dampen sound and reduce condensation.

Finish: Exposed surfaces are polished to a Radiant Satin finish.

#### OTHER

Drain Openings: 3-1/2" (89mm).

NOTE: All Dayton undermount sinks are designed to affix easily to the underside of any solid surface countertop.

#### OPTIONAL ACCESSORIES

Bottom Grid: GBG1415SS

Drain: D1125

Cutting Board: CB1516 (sink must be installed with a 1/2" reveal for cutting board to fit properly)

Rinsing Basket: LKWRB1316SS, LKWERBSS

Utensil Caddy: LKWUCSS

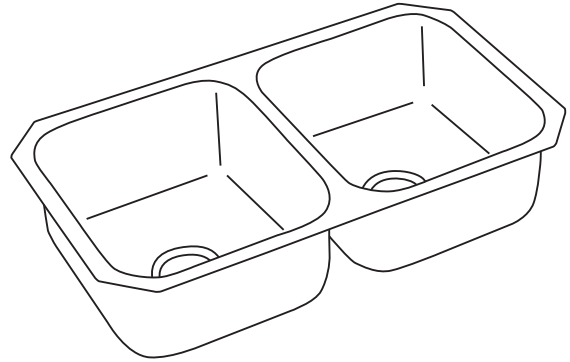
Mounting Clip: LKUCLIP8 (2 packages required)

Template: 64180280

Sink complies with ASME A112.19.3/ CSA B45.4



Sinks are listed by IAPMO<sup>®</sup> as meeting the applicable requirements of the Uniform Plumbing Code<sup>®</sup>, International Plumbing Code<sup>®</sup>, and National Plumbing Code of Canada.



Model DXUH3118



#### SINK KIT

DXUH3118 includes: (1) Sink - DXUH3118, (1) Faucet - LK1501CR, and (2) Drains.

DXUH3118DFBG includes: (1) Sink - DXUH3118, (1) Faucet - LK5000CR, (1) Bottom Grid - GBG1415SS, and (2) Drains.

#### FAUCET FEATURES

LK1501CR

- Chrome finished, single-lever kitchen faucet with side spray.
- Flexible supply tubes with 1/2" (13mm) male IPS adapters.
- Two 1 3/8" diameter faucet holes required.

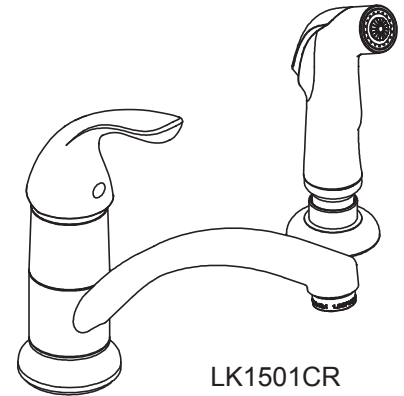
LK5000CR

- Chrome finished, single-lever kitchen faucet with pull-down spray.
- Braided stainless steel supply lines.
- Three 1 3/8" diameter faucet holes required.

Max counter thickness: 2.5" (63mm).

Faucets comply with: ADA, ANSI/NSF61, ASME A112.18.1/CSA B125.1, cUPC, CA AB1953

Faucet flow rate: 1.5 GPM/5.7 L/min at 60 P.S.I.G.



LK1501CR

#### BOTTOM GRID FEATURES

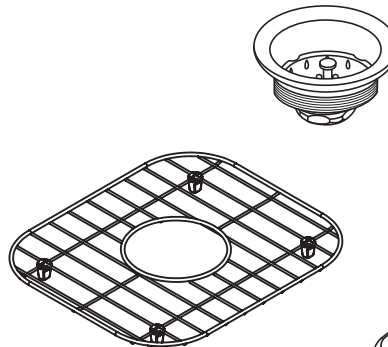
Nickel-bearing stainless steel

Bright finish

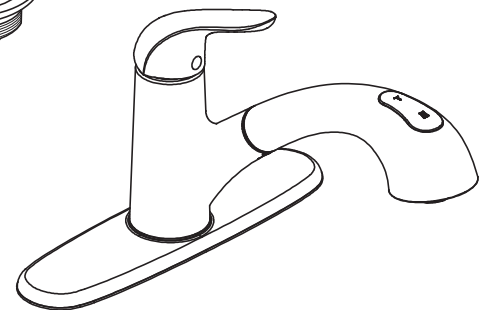
#### DRAIN FEATURES

Stainless steel body and strainer.

Fits 3-1/2" (89mm) opening.



GBG1415SS



LK5000CR

*In keeping with our policy of continuing product improvement, Elkay reserves the right to change product specifications without notice. Please visit [elkay.com](http://elkay.com) for the most current version of Elkay product specification sheets.*

*This specification describes an Elkay product with design, quality, and functional benefits to the user. When making a comparison of other producers' offerings, be certain these features are not overlooked.*

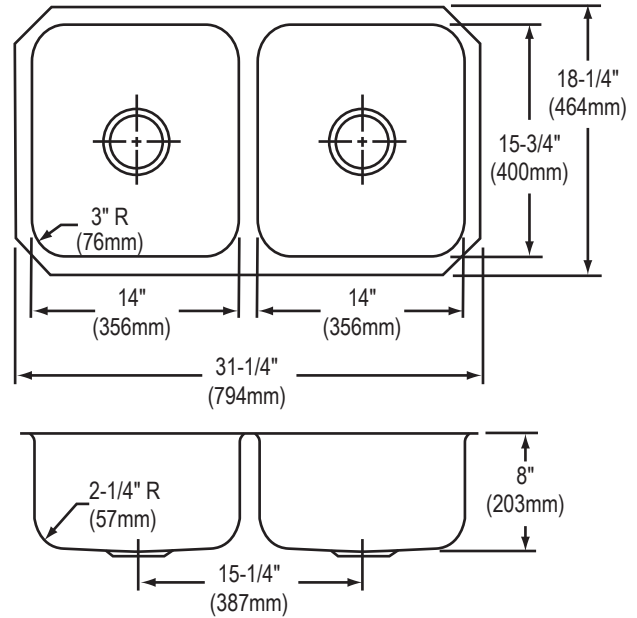
# DAYTON® SPECIFICATIONS

## Dayton® Undermount Double Bowl Sink Model DXUH3118 Series

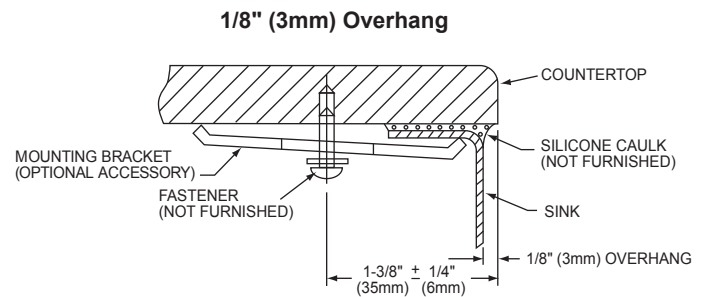
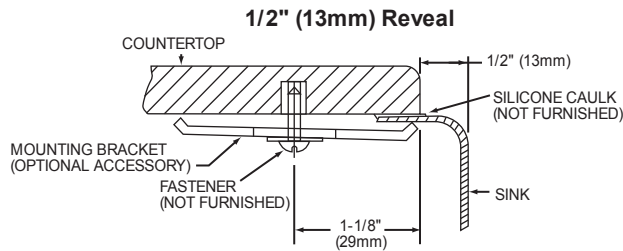
### SINK DIMENSIONS (INCHES)\*

Model Number	Overall		Inside Bowl			Minimum Cabinet Size
	L	W	L	W	D	
DXUH3118	31-1/4 (794mm)	18-1/4 (451mm)	14 (356mm)	15-3/4 (400mm)	8 (203mm)	36 (914mm)

\*Length is left to right. Width is front to back.



### Electronic Dual Template Mounting Option (Download DXF File from [www.elkay.com](http://www.elkay.com))



In keeping with our policy of continuing product improvement, Elkay reserves the right to change product specifications without notice. Please visit [elkay.com](http://elkay.com) for the most current version of Elkay product specification sheets.

This specification describes an Elkay product with design, quality, and functional benefits to the user. When making a comparison of other producers' offerings, be certain these features are not overlooked.