



Technical Product Specifications

Underēve Vent® – For Bathroom Exhaust Venting (Soffit)

Model No.	Description	Color
EVE/6	Underēve Vent®	White

Performance Data

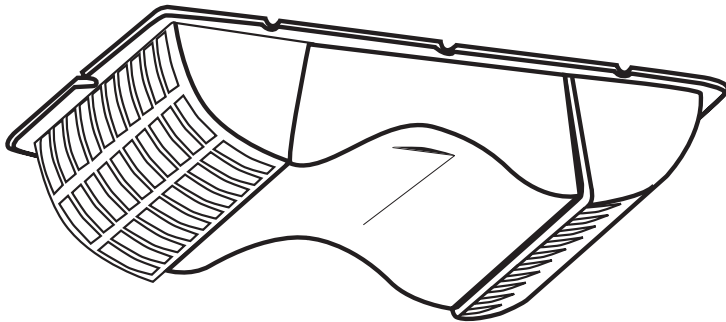
for plastic molded under the eave / soffit vent

Underēve-Vent®

- Calcium filled Polypropylene
- Melting point: 325° F/ 163 C approx.
- UV Inhibitor added

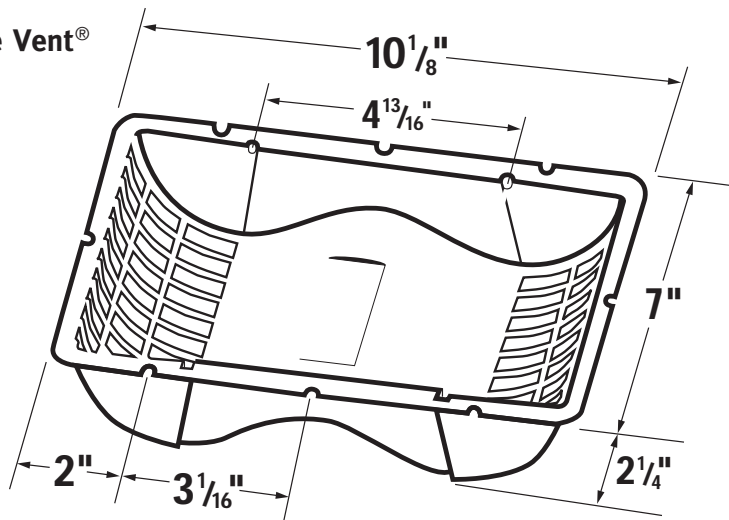
General Information

- quick, easy installation
- easily installs over the exhaust hole, under the eave (soffit) to exhaust air from bathroom fans
- helps prevent cold air from entering home, birds from nesting in vents and rodents from entering through vents
- all components constructed of heavy-duty plastic
- opening in soffit can be up to 5" diameter
- for best installation practice use our EVEK4 kit to make a connection to the exhaust duct

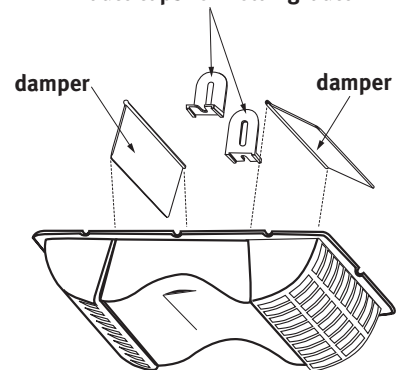


EVE/6

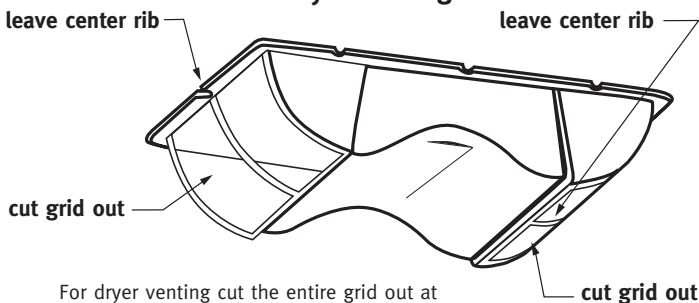
Underēve Vent®



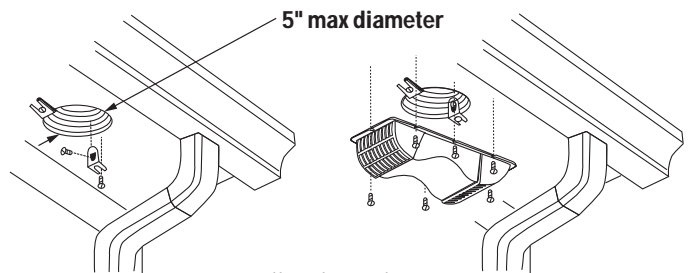
duct clips for holding duct



For Dryer Venting



For dryer venting cut the entire grid out at both ends. Leave the center rib. Use tin snips to cut grid out before installing hood to soffit.



Application View

© 2013
 DEFLECTO LLC • P.O. Box 50057 • Indianapolis, IN 46250 • www.deflecto.com
 DEFLECTO/Canada Ltd. • St. Catharines, Ontario • Canada L2M 3Y2 • www.advp-deflecto.com

Deflecto's policy is one of continual product improvement in design and manufacturing wherever possible, therefore all specifications and designs are subject to change without notice and without incurring obligations.