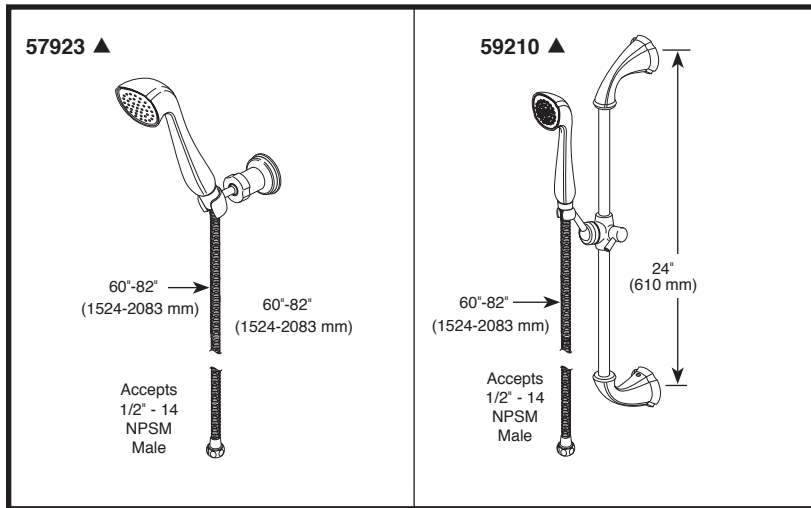


Submitted Model No.: _____

Specific Features: _____



▲ Designate Proper Finish Suffix

Spray Pattern



Full Spray

◆ Your Delta Faucet hand shower incorporates a backflow protection system that has been tested to be in compliance with ASME A112.18.3 and ASME A112.18.1/CSA B125.1. It incorporates two certified check valves in series, which operate independently and are integral, non-serviceable parts of the wand assembly.



PERSONAL HAND HELD SHOWERS

- 60"-82" (1524-2083mm) stretchable metal hose
- Certified Dual Check Valves
- 24" (610mm) Wall Bar, Wall Mount or Shower Arm Mount

STANDARD SPECIFICATIONS:

- ABS hand held shower with one spray pattern – not a positive shut-off.
- 60"-82" (1524-2083 mm) stretchable metal hose.
- Certified dual check valves for backflow protection.
- 24" (610 mm) wall bar with adjustable slide (allows for adjustable shower height) - 59210 only. Not to be used as a Grab Bar. Not ADA compliant.
- Wall mount bracket - 57923 only.
- 2.0 gpm @ 80 psi (7.6 L/min @ 552 kPa)

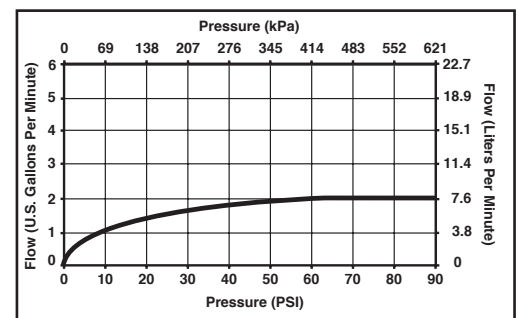
WARRANTY

- Lifetime limited warranty on parts (other than electronic parts and batteries) and finishes; or for commercial users, for 5 years from the date of purchase.



COMPLIES WITH:

- ASME A112.18.1 / CSA B125.1 ◆
- EPA WaterSense®



55 E. 111th Street, Indianapolis, Indiana 46280
 350 South Edgeware Road, St. Thomas, Ontario Canada N5P 4L1
 © 2014 Masco Corporation of Indiana