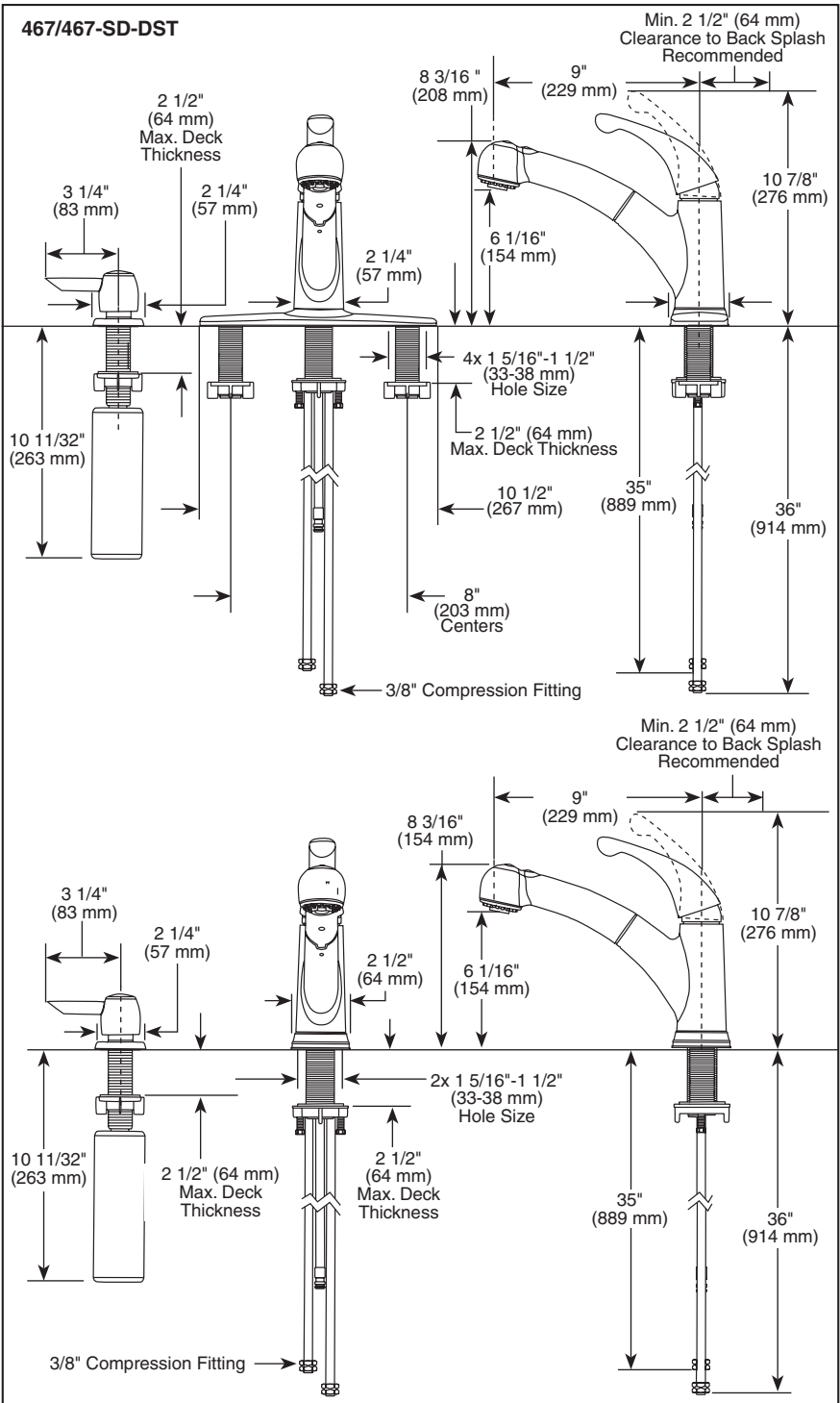


Submitted Model No.: _____

Specific Features: _____



▲ Designate Proper Finish Suffix

Delta reserves the right (1) to make changes in specifications and materials, and (2) to change or discontinue models, both without notice or obligation. Dimensions are for reference only. See current full-line price book or www.deltafaucet.com for finish options and product availability.

DSP-K-467-DST Rev. D

DELTA®

KITCHEN FAUCETS

- Palo® Series
- Single Handle Deck Mount
- 1, 2, 3 or 4 Hole Sink Applications
- Optional Soap Dispenser
- DIAMOND Seal® Technology
- Integrated Supply Tubes
- 2-Function Pull-Out

STANDARD SPECIFICATIONS:

- Centermount or 8" (203 mm) centers with optional 10 1/2 (267 mm) long escutcheon included.
- Single handle kitchen faucets for exposed mounting on 1, 2, 3 and 4 hole sinks.
- 8 3/16" (208 mm) high, 9" (229 mm) long spout nestled in metal hub, swings 120°.
- Pull-out spout operates in an aerated or spray mode via an easy push button.
- Touch-Clean® sprayhead.
- Spout is connected to valve body with a 53" (1346 mm) long hose.
- Lever handle shall return to neutral position when valve is turned off.
- Control mechanism is the diamond coated ceramic cartridge.
- 3/8" O.D. straight, staggered pex supply tubes - 35" (889 mm) and 36" (914 mm) long.
- Standard 3/8" (10 mm) compression gasket fittings.
- Integral double check valves in spout.
- Soap dispenser bottle holds up to 8 oz.
- RP51499 wand assembly available with flow rate of 1.5 gpm max.

WARRANTY

- Lifetime limited warranty on parts (other than electronic parts and batteries) and finishes: or, for commercial users, for 5 years from date of purchase.
- 5 year limited warranty on electronic parts (other than batteries); or, for commercial users, for 1 year from the date of purchase. No warranty is provided on batteries.

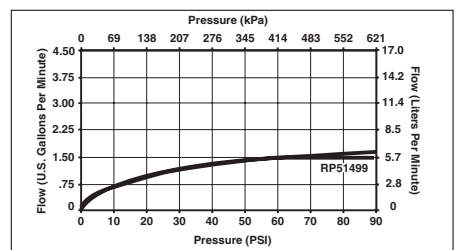


COMPLIES WITH:

- ASME A112.18.1 / CSA B125.1
- ASME A112.18.6

Indicates compliance to ICC/ANSI A117.1

- Verified compliant with .25% weighted average Pb content regulations.



55 E. 111th Street, Indianapolis, Indiana 46280
 350 South Edgeware Road, St. Thomas, ON N5P 4L1
 © 2013 Masco Corporation of Indiana