

'Apollo' Valves

SUBMITTAL SHEET

LEAD FREE

78LF-RV Series

Model EXV-LF Thermal Expansion Relief Valve



Job Name:	
Job Location:	
Engineer:	
Contractor:	
Tag:	
PO Number:	
Representative:	
Wholesale Distributor:	



DESCRIPTION

The Lead Free* Apollo® 78LF-RV Series Combination Water Heater Isolation Valve/ IAPMO approved Thermal Expansion Relief Device solves two Code requirements while saving time, installation space and money! Ideal alternative to expansion tanks in residential plumbing systems. Made in the USA, featuring Lead Free* dezincification resistant bronze materials.

PERFORMANCE RATING

- Ball Valve Maximum Pressure: 400 psi
- Relief Valve factory set and sealed, 125 psi Maximum
- Maximum Temperature: 210°F

APPROVALS

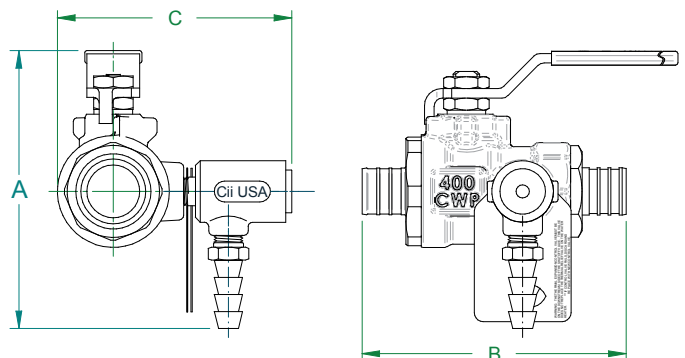
- CSA B125
- IAPMO IGC 128-2006a
- City of Los Angeles
- NSF/ANSI 61-G
- NSF/ANSI 372 Lead Free 3rd party certified

STANDARD MATERIALS LIST

Part Name	Material
Lever	Steel, Plated, Platisol
Body	UNS C89836 Lead Free* Bronze
Stem Bearing	RTFE
Stem	UNS C27450 Lead Free* Brass
Retainer	UNS C27450 Lead Free* Brass
Ball	UNS C27450 Lead Free* Brass
Stem Packing	RTFE
Seat	RTFE
Body, Relief	UNS C89836 Lead Free* Bronze
Spring, Relief	Stainless Steel
Seat, Relief	Silicone Rubber

DIMENSIONS

Size (in.)	Dimensions (in.)			Wt. (lbs.)
	A	B	C	
3/4" SWT	4.0	3.9	3.3	.687
3/4" FNPT	3.9	2.8	3.3	.750
3/4" PEX	3.9	3.8	3.3	.750



PART NUMBER ORDERING

78LF	X	X	X	RV
SIZE / CONNECTION	PRESSURE †	OUTLET + RV		
78LF	3- 3/4" Solder	0 - 125 PSI	4 - Hose	
	4- 3/4" Thread	1 - 100 PSI	5 - PEX	
	7- 3/4" PEX	2 - 80 PSI	6 - Compress	
			7 - 1/2" Swt/Thd	

† Consult factory for pressure settings not listed

* LEAD FREE: The wetted surfaces of this product shall contain no more than 0.25% lead by weighted average. Complies with Federal Public Law 111-380. ANSI 3rd party approved and listed.

Apollo Valves, Manufactured by **Conbraco Industries, Inc.**
701 Matthews Mint-Hill Road, Matthews, NC 28105 USA
www.apollovalves.com | (704) 841-6000

This specification is provided for reference only. Conbraco Industries Inc. reserves the right to change any portion of this specification without notice and without incurring obligation to make such changes to Conbraco products previously or subsequently sold. Please visit our website @ www.apollovalves.com for the most current information.

