

SPECIFICATIONS

GENERAL SPECIFICATIONS

The Water Heater Shutoff/Thermal Expansion Control Valve shall be designed to control thermal expansion in closed plumbing systems and also shall serve as a water heater shutoff valve.

The valve shall consist of a ball valve with an integral thermal expansion control valve mounted to it. The Water Heater Shutoff/Thermal Expansion Control Valve shall be constructed to provide thermal expansion relief at a pressure of 25 psig or more below the set pressure of the primary thermal expansion relief valve.

The valve shall be made of compatible corrosion resistant materials.

The thermal expansion control valve shall be of a spring loaded design. The spring shall be made of material having corrosion resistance equal to that of ANSI 302 stainless steel. The valve drainage fitting shall have a minimum orifice diameter of 0.245 inches.

The valve shall be listed with IAPMO (3/4 inch only) and SBCCI listed (3/4 inch 80 psi only).

CONBRACO SPECIFICATIONS

The Water Heater Shutoff/Thermal Expansion Control Valve shall be designed to control thermal expansion in closed plumbing systems and also shall serve as a water heater shutoff valve.

The valve shall consist of a ball valve with an integral thermal expansion control valve mounted to it. The Water Heater Shutoff/Thermal Expansion Control Valve shall be constructed to provide thermal expansion relief at a pressure of 25 psig or more below the set pressure of the primary thermal expansion relief valve.

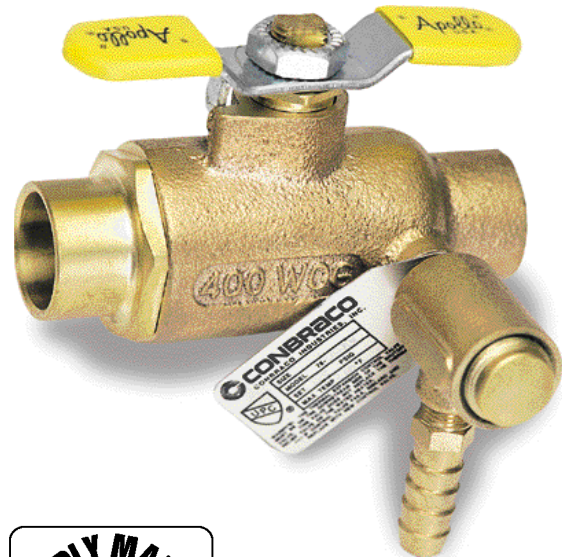
The valve shall be made of compatible corrosion resistant materials.

The thermal expansion control valve shall be of a spring loaded design of nominal 1/8 inch pipe size. The spring shall be made of material having corrosion resistance equal to that of ANSI 302 stainless steel. The outlet of the valve shall have 1/8 inch NPT for drainage connection fitting. The minimum orifice diameter of the drainage fitting shall be 0.245 inches.

The valve shall be listed with IAPMO (3/4 inch only) and SBCCI listed (3/4 inch 80 psi only). The manufacturing facility shall be ISO 9001 REGISTERED. The Water Heater Shutoff/Thermal Expansion Control Valve shall be manufactured by CONBRACO INDUSTRIES, INC., Matthews, North Carolina.

Water Heater Shutoff/Thermal Expansion Control Valve

Sizes 3/4" & 1"



FEATURES

- Corrosion Resistant
- Variety of pipe end connections
- Designed for easy maintenance

APPROVALS

The 78-RV Series is listed under the following standards: **IAPMO IGC 128-2000, SBCCI**

Listed by IAPMO



LISTED



MATERIAL SPECIFICATIONS

Control Valve

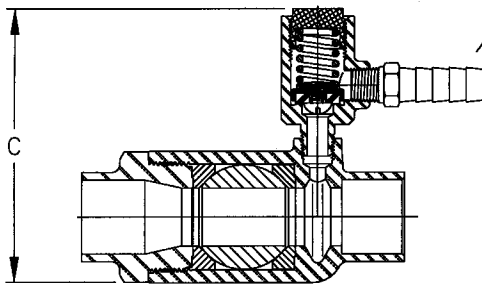
Cap	Rod Brass
Body	Cast Brass
Fitting	Rod Brass
Spring	Stainless Steel
Screw	Brass
Seat Washer	Silicone Rubber
Check	Rod Brass

Ball Valve

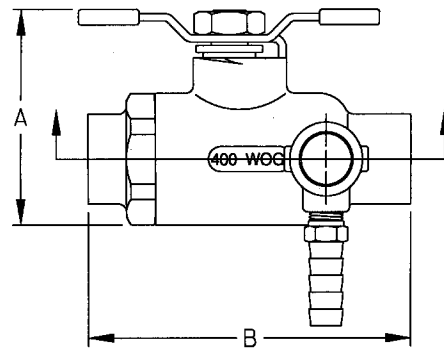
Lever	Steel
Grip	Plastisol
Body	Cast Bronze
Stem Bearing	RTFE
Stem	Rod Brass
Retainer	Rod Brass
Ball	Rod Brass
Stem Packing	RTFE
Seat	RTFE
Gland	Rod Brass
Hex Nut	Carbon Steel

DIMENSIONS

Series	A	B	C
78-300	2.6	3.9	3.2
78-400	2.5	2.7	3.4
78-500	3.1	4.5	3.7
78-600	3.2	3.5	3.9



Control valve shown rotated 90°
Valve should be assembled with hose barb pointed out of page in a typical installation.



ORDERING NUMBERS

SET PRESSURE PSI	PART NUMBER				CONTROL VALVE OUTLET
	3/4" SWEAT	3/4" THREAD	1" SWEAT	1" THREAD	
125	78-304-RV	78-404-RV	78-504-RV	78-604-RV	Hose Barb Fitting
100	78-314-RV	78-414-RV	78-514-RV	78-614-RV	Hose Barb Fitting
80	78-324-RV	78-424-RV	78-524-RV	78-624-RV	Hose Barb Fitting
125	78-305-RV	78-405-RV	78-505-RV	78-605-RV	Pex Fitting
100	78-315-RV	78-415-RV	78-515-RV	78-615-RV	Pex Fitting
80	78-325-RV	78-425-RV	78-525-RV	78-625-RV	Pex Fitting
125	78-306-RV	78-406-RV	78-506-RV	78-606-RV	Compression Fitting
100	78-316-RV	78-416-RV	78-516-RV	78-616-RV	Compression Fitting
80	78-326-RV	78-426-RV	78-526-RV	78-626-RV	Compression Fitting
125	78-307-RV	78-407-RV	78-507-RV	78-607-RV	1/2" Combo Swt./Thd. Fitting
100	78-317-RV	78-417-RV	78-517-RV	78-617-RV	1/2" Combo Swt./Thd. Fitting
80	78-327-RV	78-427-RV	78-527-RV	78-627-RV	1/2" Combo Swt./Thd. Fitting

PLUMBING & HEATING PRODUCTS DIVISION