



TPI Corporation

www.tpicorp.com

America's Comfort Conditioning Company

Raywall Redd-i



Markel

Products Company

CONTROLS HEATERS

Scan & View On Your
Smartphone Or Portable Device.
(PDF File)



Scan with RedLaser



www.facebook.com/tpicorporation



@tpicorporation

PH: 1-800-682-3398 / 1-423-477-4131 | FAX: 1-423-477-0064

ELECTRIC HEAT, CONTROLS, & THERMOSTATS INDUSTRIAL - COMMERCIAL - RESIDENTIAL

© Copyright 2015; TPI Corporation, P.O. Box 4973, Johnson City, TN 37602
October 1, 2014: Distribution Products Catalog Revision: 100114-001

CATEGORY	Page
AMPERAGE CHART & WARRANTY	2
ELECTRIC HEAT COMFORT ZONES	3

HAZARDOUS LOCATION & WASHDOWN		
HLA*	Hazardous Location Fan Forced	4-7
PHLA*	Portable Hazardous Location Fan Forced	7
FEP*	Hazardous Location Convector	8-9
5500*	Washdown Fan Forced	10-11

UNIT HEATERS		
UH	Horizontal Fan Forced	12-13
5100	Horizontal or Vertical Fan Forced	14-19
2600	Downflow Fan Forced	20-22
5700	Confined Space Plenum Rated	22
5600	Multiple Wattage Fan Forced	23
6300	Cabinet Fan Forced	24-27

WALL CONVECTORS		
8500*	Commercial Slope Top	28-29
8800*	Institutional	30-31
4100*	Recessed Commercial	32-33

CEILING & COVE		
3000	Fan Forced	34
3380	Commercial Fan Forced	34
3480*	Commercial Recessed Fan Forced	35
3470*	Commercial Surface Fan Forced	36
CP/RCP	Radiant Ceiling Panel	37
CVX	Radiant Cove	38

WALL HEATERS		
3000	Commercial Midsized Fan Forced	39
3320	Commercial Fan Forced	40
4400	Commercial Low Profile Fan Forced	40
3420/50	Heavy Duty Fan Forced	41-43
3310	Residential/Commercial Fan Forced	44-45
3200	Midsized Fan Forced	46
4300	Low Profile Fan Forced	47
4800	Register Style Fan Forced	48

BASEBOARD HEATERS		
3900	Hydronic Electric	49
3700	Architectural Style Electric	50
	Hydronic/Architectural Accessories	51
2900HA	High Altitude Electric	52
2900S	Stainless Steel Element Electric	53
2900C	Heavy Duty Commercial Electric	54
	Electric Baseboard Accessories	55

ARCHITECTURAL SILL LINE		
9100*	Radius Front Draft Barrier	56-57
9300*	Radius Front Draft Barrier	58-59
	General Product Information	60
DBF/DBT*	3-1/8" x 4-1/2" Convector	61
DBCT/DBCF*	3-1/2" x 6" Convector	61
DBTS*	2-5/8" x 4" Convector	62
RDBT*	7" x 6" Convector (Round)	63
CB*	2-5/8" x 4-1/2" Convector	63
ASHDB*	5-1/2" x 8" thru 20" Tall Convector	63

*Products listed in this section are custom built and subject to 100% cancellation/restocking charges

Note: The information contained herein is deemed to be as accurate as possible upon the time of printing. However, to insure that you receive the most reliable information contact the factory should a question arise. All prices are given in U.S. Dollar Amounts.
PH: 1-800-682-3398. © Copyright 2014; TPI Corporation.

CATEGORY	Page
----------	------

ELECTRIC INFRARED HEATERS		
MR	Heavy Duty Metal Sheath	64-65
TH & THSS	Mul-T-Mount	66-69
OCH	Outdoor/Indoor Rated Quartz	70-71
RPH	Outdoor Rated Stainless Steel	72
MM	Mitey Midget	72
FFH	Utility	72
	Elements, Accessories, & Controls	73-75
FHK	Heavy Duty Metal Sheath Infrared	76
CH	120/240V Quartz Infrared	77
PCH	Portable Quartz Infrared Spot Heater	77
RHG	Portable Infrared Instant "On-Off" Heat Gun	77
HP	Portable Electric Infrared Heat Panels	77

PORTABLE HEATERS		
FES & YES	Salamander Heat Wave™	78
198	120V Fan Glo	79
178	120V Ceramic	79
188	120V Milk House	79
E3915	120V Hydronic Baseboard	79
483	120V Baseboard	79
474	240V Dual Heat Fan Forced	80
5800	240V Garage/Workshop	80
ICH	240V Construction/Utility	80
680	240V Heavy Duty	80
170-TS	120V Confined Space	81

SPECIALTY HEATERS		
RPH	Pump House	81
FH	In-Floor Fan Forced	81
TSH	Kick-Space Fan Forced	81

AIR CURTAIN		
CF-C	2 Speed Commercial Air Curtain	82
CF/CFH*	Variable Speed Air Curtain	82

THERMOSTATS		
ET	Line Voltage, 22A, 120-277VAC	83
EPET / HLT	Line Voltage, Haz. Loc., 120-277VAC	83
2000	Line Voltage, 22A, 120-277VAC	83
TW	Line Voltage, 120-277VAC	84
CKT / KT	Line Voltage, 120-250VAC	84
LB	Bi-Metal In-Built	84
LR	Bi-Metal Outdoor	85
RH	Air Flow / Differential Pressure Switches	85
	Differential Pilot Tubes	85
H	Humidistat/Dehumidistat, 24-240VAC	85
SD / RF	Low Voltage, Setback on Demand, Wireless	86
T	Line Voltage, Precision, 120-277VAC	86
TL	Line Voltage, Programmable	86
TH	Low Voltage, Programmable	87
TW	Low Voltage, 2 Stage	87
A	Low Voltage, Round	87
UT	Low Voltage, Vertical/Horizontal Mnt.	88
RK	Low Voltage, Square	88
24A	Low Voltage Relays	88
TG	Thermostat Guards	88

THERMAL AREA TREATMENT		
TAT*	Area Treatment - Pest Remediation	89-91

DUCT HEATERS		
HP*	HotPod Resi. Supplemental Duct Heat	92-93
7200/7300*	Plenum Heaters	94-97
PD*	Packaged (preconfigured) Duct Heat	98

PRODUCT INDEX

Amperage Chart & Electric Heat Products Limited Warranty

K.W Rating	B.T.U.H.	208 Volt AMP Rating		220 Volt AMP Rating		230 Volt AMP Rating		240 Volt AMP Rating		277 Volt AMP Rating	440 Volt AMP Rating	480 Volt AMP Rating	550 Volt AMP Rating
		1 PH	3 PH	1 PH	3 PH	1 PH	3 PH	1 PH	3 PH	1 PH	3 PH	3 PH	3 PH
00.5	1,706	2.4	1.4	2.3	1.3	2.2	1.3	2.1	1.2	1.8	0.6	0.6	0.5
01.0	3,413	4.8	2.8	4.5	2.6	4.3	2.5	4.2	2.4	3.6	1.3	1.2	1.0
02.0	6,826	9.6	5.5	9.1	5.2	8.7	5.0	8.3	4.8	7.2	2.6	2.4	2.1
03.0	10,239	14.4	8.3	13.6	7.9	13.0	7.5	12.5	7.2	10.8	3.9	3.6	3.1
04.0	13,652	19.2	11.1	18.2	10.4	17.5	10.1	16.6	9.6	14.4	5.2	4.8	4.2
05.0	17,065	24.0	13.8	22.7	13.1	21.7	12.6	20.8	12.0	18.1	6.6	6.0	5.2
06.0	20,478	28.8	16.6	27.3	15.7	26.1	15.1	25.0	14.4	21.7	7.9	7.2	6.3
07.0	23,891	33.6	19.4	31.8	18.4	30.4	17.6	29.1	16.8	25.3	9.2	8.4	7.3
08.0	27,304	38.5	22.2	36.4	20.9	34.9	20.1	33.3	19.2	28.9	10.5	9.6	8.4
09.0	30,717	42.8	24.9	40.9	23.3	39.1	22.6	37.7	21.4	32.5	11.8	10.8	9.5
10.0	34,130	48.1	27.4	45.4	26.2	43.5	25.1	41.7	24.0	36.1	13.2	12.0	10.5
11.0	37,543	52.9	30.5	50.0	28.6	47.8	27.6	45.8	26.4	39.7	14.5	13.2	11.6
12.0	40,956	57.7	33.2	54.5	31.5	52.1	30.2	50.0	28.6	43.3	15.8	14.4	12.6
13.0	44,369	62.5	36.0	59.1	34.1	56.9	32.7	54.2	31.3	46.9	17.1	15.6	13.7
14.0	47,782	67.3	38.8	63.6	36.7	60.9	35.2	58.3	33.7	50.5	18.4	16.8	14.7
15.0	51,195	72.1	41.5	68.2	39.1	65.2	37.7	62.5	35.1	54.2	19.8	18.0	15.8
16.0	54,608	76.9	44.3	72.7	41.9	69.6	40.2	66.7	38.5	57.8	21.1	19.2	16.9
17.0	58,021	81.7	47.1	77.3	44.3	73.9	42.7	70.8	40.9	61.4	22.4	20.4	17.9
18.0	61,434	86.5	49.8	81.8	47.2	78.3	45.2	75.0	43.3	65.0	23.7	21.6	19.0
19.0	64,847	91.3	52.6	86.4	49.6	82.6	47.7	79.2	45.7	68.6	25.1	22.8	20.0
20.0	68,260	96.1	55.1	90.9	52.5	86.9	50.3	83.3	48.1	72.2	26.4	24.0	21.1
21.0	71,673	100.0	58.2	95.6	55.1	91.3	52.9	87.5	50.5	75.8	27.7	25.2	22.1
22.0	75,086	105.8	60.9	100.0	57.7	95.7	55.3	91.7	52.9	79.4	29.0	26.4	23.1
23.0	78,499	110.6	63.7	104.5	60.4	100.0	57.9	95.8	55.3	83.0	30.3	27.6	24.3
24.0	81,912	115.4	66.5	109.1	62.9	104.3	60.3	100.0	57.7	86.6	31.7	28.8	25.3
25.0	85,325	120.2	69.2	113.6	65.3	108.6	62.8	104.1	60.1	90.3	33.0	30.1	26.4
26.0	88,738	125.0	72.0	118.2	68.3	113.0	65.3	108.3	62.5	93.9	34.3	31.3	27.4
27.0	92,151	129.8	74.8	122.7	70.9	117.4	67.8	112.5	64.7	97.5	35.6	32.5	28.5
28.0	95,564	134.6	77.2	128.2	73.5	121.7	70.3	116.6	67.3	101.1	36.9	33.7	29.5
29.0	98,977	139.4	80.3	131.8	76.0	126.0	72.9	120.8	69.7	104.7	38.3	34.9	30.6
30.0	102,390	144.2	83.1	136.4	78.7	130.4	75.4	125.0	72.1	108.3	39.6	36.1	31.7
31.0	105,803	149.0	85.9	140.9	81.3	134.7	77.9	129.2	74.5	111.9	40.9	37.3	32.7
32.0	109,216	153.8	88.7	145.4	83.9	139.0	80.4	133.4	76.9	115.5	42.2	38.5	33.8
33.0	112,629	158.6	91.5	149.9	86.5	143.3	82.9	137.6	79.3	119.1	43.5	39.7	34.8
34.0	116,042	163.4	94.3	154.4	89.1	147.6	85.4	141.8	81.7	122.7	44.8	40.9	35.9
35.0	119,455	168.2	97.1	158.9	91.7	151.9	87.9	146.0	84.1	126.4	46.1	42.1	36.9
36.0	122,868	173.0	99.9	163.4	94.3	156.2	90.4	150.2	86.5	130.0	47.4	43.3	38.0
37.0	126,281	177.8	102.7	167.9	96.9	160.5	92.9	154.4	88.9	133.6	48.7	44.5	39.0
38.0	129,694	182.6	105.5	172.4	99.5	164.8	95.4	158.6	91.3	137.2	50.0	45.7	40.1
39.0	133,107	187.4	108.3	176.9	102.1	169.1	97.9	162.8	93.7	140.7	51.3	46.9	41.1
40.0	136,520	192.2	111.1	181.4	104.7	173.4	100.4	167.0	96.1	144.4	52.6	48.1	42.2
41.0	139,933	197.0	113.9	185.9	107.3	177.7	102.9	171.2	98.5	148.0	53.9	49.3	43.2
42.0	143,346	201.8	116.7	190.4	109.9	182.0	105.4	175.4	100.9	151.6	55.2	50.6	44.3
43.0	146,759	206.6	119.5	194.9	112.5	186.3	107.9	179.6	103.3	155.2	56.5	51.8	45.3
44.0	150,172	211.4	122.3	199.4	115.1	190.6	110.4	183.8	105.7	158.8	57.8	53.0	46.4
45.0	153,585	216.2	125.1	203.9	117.7	194.9	112.9	188.0	108.1	162.5	59.1	54.2	47.4
46.0	156,998	221.0	127.9	208.4	120.3	199.2	115.4	192.2	110.5	166.1	60.4	55.4	48.5
47.0	160,411	225.8	130.7	212.9	122.9	203.5	117.9	196.4	112.9	169.7	61.7	56.6	49.5
48.0	163,824	230.6	133.5	217.4	125.5	207.8	120.4	200.6	115.3	173.3	63.0	57.8	50.6
49.0	167,237	235.4	136.3	221.9	128.1	212.1	122.9	204.8	117.7	176.9	64.3	59.0	51.6
50.0	170,650	240.2	139.1	226.4	130.7	216.4	125.4	209.0	120.1	180.5	65.6	60.2	52.7
51.0	174,063	245.0	141.9	230.9	133.3	220.7	127.9	213.2	122.5	184.1	66.9	61.4	53.7
52.0	177,476	249.8	144.7	235.4	135.9	225.0	130.4	217.4	124.9	187.7	68.2	62.6	54.8
53.0	180,889	254.6	147.5	239.9	138.5	229.3	132.9	221.6	127.3	191.3	69.5	63.8	55.8
54.0	184,302	259.4	150.3	244.4	141.1	233.6	135.4	225.8	129.7	194.9	70.8	65.0	56.9
55.0	187,715	264.2	153.1	248.9	143.7	237.9	137.9	230.0	132.1	198.6	72.2	66.2	57.9
56.0	191,128	269.0	155.9	253.4	146.3	242.2	140.4	234.2	134.5	202.2	73.5	67.4	58.8
57.0	194,541	273.8	158.7	257.9	148.9	246.5	142.9	238.4	136.9	205.8	74.9	68.6	59.9
58.0	197,954	278.6	161.5	262.4	151.5	250.8	145.4	242.6	139.3	209.4	76.2	69.8	60.9
59.0	201,367	283.4	164.3	266.9	154.1	255.1	147.9	246.8	141.7	213.0	77.5	71.0	62.3
60.0	204,780	288.2	167.1	271.4	156.7	259.4	150.4	251.0	144.1	216.6	78.8	72.2	63.0

Note: All custom built products are subject to 100% cancellation/restock charges.

In addition to the Limited Warranty stated to the right covering general products, TPI Corporation extends this warranty on the following listed products, which are warranted to the original consumer from the original date of purchase for the total time periods indicated herein below:

Heat Products	
198 Series Elements	1 Year
Elements in Baseboard	10 Years
All Other Heating Products	1 Year
Thermostats & Controls	2 Years

TPI UPC NUMBER IS REQUIRED FOR ALL ORDERS PLACED
686334 X X X X X X

IMPORTANT ORDERING POLICY
When ordering any cataloged item the UPC number must be included with the order. This number must be the TPI Corporation UPC number and not the customer's item number. This policy applies to all orders including EDI orders.

TPI Corporation provides a limited warranty of materials and workmanship for a period of (i) ten (10) years for Baseboard Elements, (ii) two (2) years for Thermostats and Controls, and (iii) twelve (12) months for all other products, with the warranty period commencing on the original date of purchase. The TPI warranty is limited to materials manufactured and work performed by TPI Corporation, and does not include damage or failure caused by acts of God, abuse, misuse, connected to or placed on other than rated voltage, abnormal usage, faulty installation, failure to follow suggested maintenance procedures enclosed with the product, improper maintenance or any repairs other than those provided by an authorized TPI Corporation service center. For the name of your nearest authorized TPI Corporation service center, please write to TPI Corporation, P.O. Box 4973, Johnson City, Tennessee, 37602 or call 800-682-3398.

During the warranty period, TPI Corporation will, at its sole option, repair or replace any defective parts or products returned, freight prepaid, to the TPI Corporation factory or such other location as TPI Corporation may designate. No parts or products will be accepted for repair or replacement without prior authorization from TPI Corporation and a return merchandise authority (RMA) number issued by TPI Corporation. Returned products must be packaged carefully and TPI Corporation shall not be responsible for damage in transit. When returning parts, the owner must provide the model number of the product and nature of difficulty being experienced.

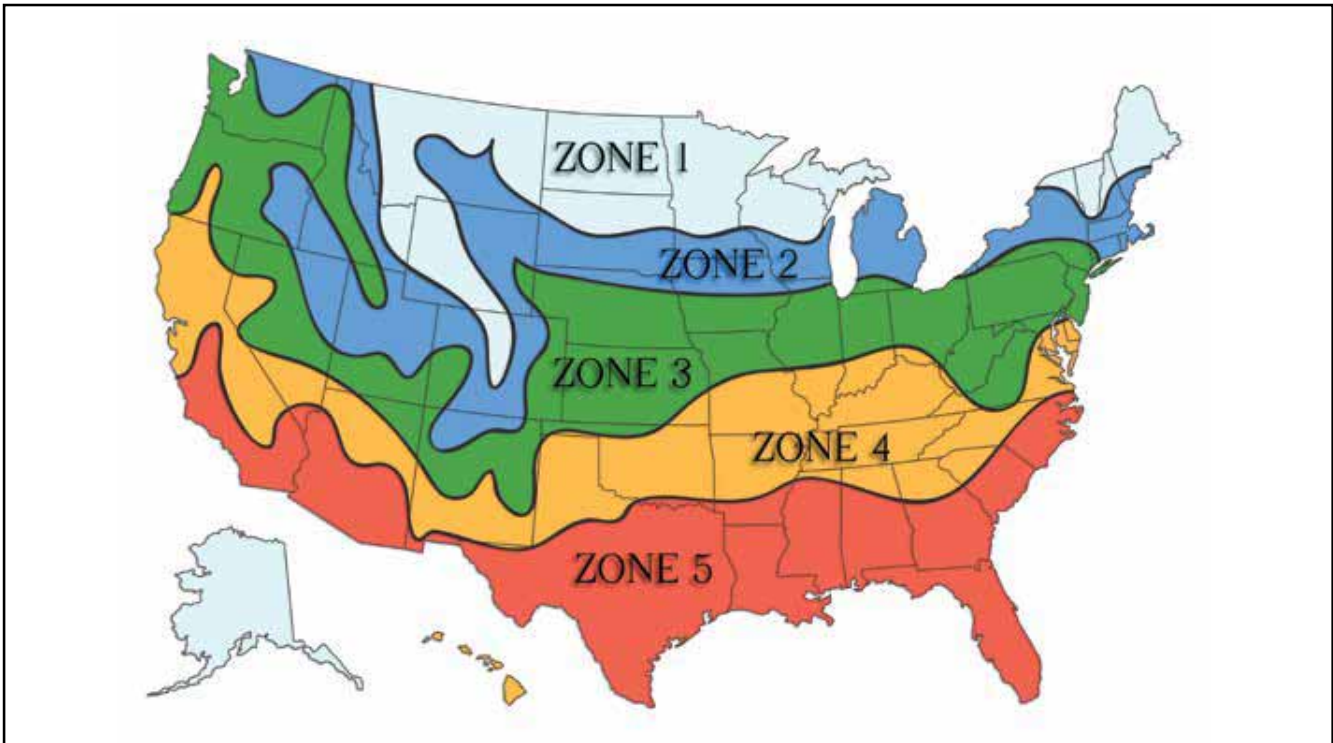
This warranty does not obligate TPI Corporation to bear the cost of labor in replacing any assembly, unit or component part thereof, nor does TPI Corporation assume any liability for secondary charges, expenses for installing or removal, freight or damages. There will be charges rendered for product repairs made after the warranty period has expired. Proof of purchase, including date, must accompany request for in-warranty service. This warranty gives you specific legal rights and you may have other rights, which may vary, from state to state.

Except for the limited warranty provided in the foregoing paragraph, all parts and products sold by TPI Corporation are sold 'as is', 'where is', and without any other warranty of any kind or nature, whether express, implied, or statutory and including, without limitation, any implied warranty of specific performance or merchantability.

Under no circumstances, even with respect to claims covered by the foregoing warranty, will TPI Corporation be responsible for any incidental, consequential, special, or punitive damages of any kind or nature arising from or related to the parts or products sold by tpi corporation.

In any event, TPI Corporation's maximum liability shall not in any case exceed the purchase price for the part or product claimed to be defective.

You hereby expressly agree to waive any and all rights to a trial by jury with respect to any product manufactured or supplied by TPI Corporation.



INSULATION			
R-VALUE	Recommended	FHA Standard	Minimum: Not Recommended
Ceiling	*R-24	*R-19	*R-11
Walls	R-13	11	R-7
Floor	R-24	11	---
ZONE	APPROXIMATE WATTAGE NEED PER SQUARE FOOT		
1	8.6	10.0	14.6
2	7.7	9.0	13.1
3	7.1	8.2	12.0
4	6.4	7.4	10.8
5	6.0	7.0	10.2

**R"values are industry standards for insulation effectiveness. Ask company representative for assistance if you do not know "R" for your present structure insulation.

Baseboard or wall mount style? Recessed or surface type? It's easy to select the heater that's right for you.

1. Measure the size of the room(s) or area you intend to heat for square footage. You will need the length times the width to get this calculation.
2. Find your location on the map above. This determines your basic heating zone.
3. The chart shown below the map lists insulation values based on the effectiveness of the insulation presently in your home. Find your heating zone on the chart and the approximate wattage per square foot you will need.
4. Multiply the total number of square feet you intend to heat by the approximate wattage per square foot you just obtained. This will determine your total heating requirement in watts for the room.

How Much Heat is Right For You?

Figures are based on 15% total window and door openings in outside walls, and 3/4 total home air changes per hour. Typical frame-type construction with unheated basement or unventilated crawl space. If you do not have storm doors and windows, add 30% to the watts per square foot (multiply by 1.3).

That's all there is to it! Now choose the heater with a wattage equal to what you need. Your final selection will, of course, depend on available wall space, window placement, ect.

Sample Calculation:

Example = 10' x 12' room in Zone 3 with FHA standard insulation

1. Determine room square footage: 10' x 12' = 120 sq. ft.
2. Zone 3 with FHA standard insulation requires 8.2 watts per sq. ft.
3. Multiply square footage of room to be heated by the approximate wattage per square foot required.

120 sq. ft x 8.2 watts = 984 watts required.

From this calculation it can be reasoned that a 1000 watt heater would be required.

HLA Series Hazardous Location Fan Forced Unit Heater

FAN-FORCED SUSPENDED UNIT HEATERS 3-25 KW FOR T-3B CLASS I, GROUP C & D, DIVISION 1 & 2 AND CLASS II, GROUPS E, F & G, DIVISIONS 1 & 2.

4



Shown with optional pilot light and disconnect switch



- Designed for rugged industrial applications in hazardous locations where the possibility of explosion or fire exists due to the presence of certain flammable gases, vapors, powdered metals or dust.
- Permanently sealed, liquid to air, finned tube heat exchanger core.
- Ethylene Glycol to water mixture used as a heat transfer fluid in the heater core, providing -45° C. (-49° F) freeze damage protection.
- High-performance electric motor driven fan blows air across finned tubes to effect uniform heat transfer and area heat distribution.
- Manual Reset capillary type limit provides high temperature regulation and is rated for 6,000 cycles of service.
- Stainless steel and aluminum pressure relief valve for overpressure.
- A back-up contactor is included for additional protection.
- 14 gauge steel cabinet powder coated epoxy paint finish contains heater core, motor, and fan assembly.
- Narrow gap safety fan guard shields all moving parts.
- Adjustable louvers allow directional control of air.
- Copper conductor wires enclosed in rigid metal conduits carry all electrical power.
- Box lugs furnished for field connections within approved enclosure.
- Made in U.S.A.

Product Specifications

Heat Exchanger and Elements:

Heavy walled, painted carbon steel with aluminum fins liquid heat exchanger, liquid filled with three-immersion type copper sheathed elements. The elements shall have the highest quality nickel-chromium resistance wire encased in a magnesium oxide dielectric and be hermetically sealed into the heat exchanger core. The heat transfer fluid is Ethylene-glycol solution for operation to -49 degrees F (- 45 degrees C). Stainless steel and aluminum pressure relief valve for overpressure.

Thermal Cutout High Limit Protection and Optional Pilot Light:

The capillary type manual reset thermal cutout shall be rated for 6000 cycles of service and mounted in the liquid filled heat exchanger. An optional pilot light to indicate manual reset tripped, if safe operating temperatures are exceeded, is located on control enclosure.

Motor:

The motor shall be a permanent split capacitor type, permanently lubricated, ball bearing type. The motor shall be rated for hazardous location and operate at rated voltage of heater, 60 Hz, 1725 RPM.

Control Enclosure:

All controls shall be factory installed and wired in a hazardous location enclosure. Contactors and back-up contactors are heavy duty type and break all ungrounded conductors and be rated for 100,000 cycles at full load. Standard 24-Volt control circuit shall be supplied by internal class II transformer. An optional factory wired integral thermostat or standard terminal block for field wiring to optional remote wall thermostat are wired in control panel. No fan delay relay.

Disconnect Switch:

Factory mounted and wired hazardous location disconnect switch is available as optional accessory.

Cabinet With Adjustable Louvers:

The Cabinet shall be 14 gauge, cold rolled steel with powder coated epoxy finish. Plated fan guards with less than 1/4 inch spacing to cover motor and fan shall conform to OSHA Requirements.

Note:

Before selecting a hazardous location electric heater refer to Article 500 or other applicable standard referenced in the National Electric Code.



Liquid-to-air heat exchanger



Optional built-in thermostat



Hazardous Location Rated Motor

HLA Series Hazardous Location Fan Forced Unit Heater

Rating Definitions

CLASS I: Equipment does not have surface operating temperature in excess of the ignition temperature of the specific gas or vapor.

Application Examples:

- Offshore and land based drilling rigs, petroleum exploration and testing facilities.
- Petroleum refineries, gasoline storage and dispensing areas.
- Industrial firms that use flammable liquids in dip tanks for parts cleaning or other operations.
- Petrochemical companies that manufacture chemicals from gas or oil.
- Dry cleaning facilities where vapors from cleaning fluids may be present.
- Aircraft hangers and fuel servicing areas.
- Utility gas plants and operations involving storage and handling of liquefied petroleum or natural gas.

GROUP C: Atmospheres such as but not limited to acetaldehyde, allyl alcohol, hydrogen sulfide, ethylene, carbon monoxide, or other gases or vapors of equivalent hazard.

GROUP D: Atmospheres such as but not limited to acetone, alcohol, gasoline, lacquer solvent vapors, natural gas, propane or other gases or vapors of equivalent hazard.

CLASS II: Equipment does not have surface temperature greater than the ignition temperature of the specified dust.

Application Examples:

- Coal preparation plants and other carbon handling or processing areas.
- Grain elevators, flour and feed mills.
- Plants which manufacture, use or store Magnesium or Aluminum powders.
- Plants that have chemical or metallurgical processes.
- Producers of starch products or candy.
- Spice grinding plants, sugar plants and cocoa plants.

GROUP E: Atmosphere containing combustible metal dust regardless of resistivity, or other combustible dust of similar hazard characteristics having resistivity of less than 10^5 OHM - Centimeter.

GROUP F: Atmosphere containing carbon black, charcoal, coal or coke dust.

GROUP G: Atmospheres containing combustible dust having resistivity of 10^5 OHM-Centimeter or greater.

DIVISION I: A location in which ignitable concentrations of flammable material exist under normal operating conditions.

DIVISION II: Locations in which flammable materials will normally be confined within closed containers and escape only in the case of accidental rupture, breakdown or during maintenance operations. Any equipment approved for Division I is automatically also approved for Division II.

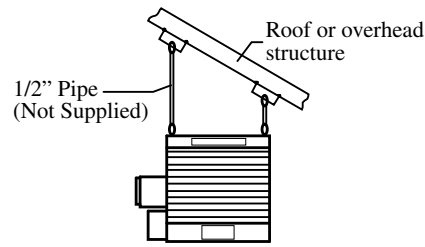
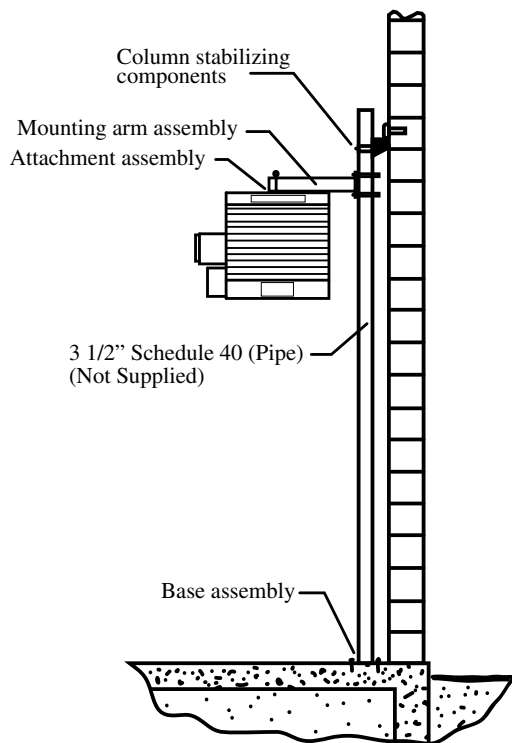
Standard Hazardous Location Models

UPC# 686334	MODEL	KW	BTU's	VOLTS	PH	AMPS	Control Voltage	Temp Rise °F	Air Throw	CFM	Recom'd Mounting Ht.	WT. (LBS)	LIST
734356	HLA 12-208160-3.0-24	3	10250	208	1	16.3	24	16.5			8'	167	9269
734004	HLA 12-208360-3.0-24			208	3	9.8							
734011	HLA 12-240160-3.0-24			240	1	14.8							
734028	HLA 12-240360-3.0-24			240	3	8.6							
734035	HLA 12-480360-3.0-24			480	3	4.3							
734363	HLA 12-208160-5.0-24	5	17100	208	1	26		27.6	24'	580	8'	167	9660
734059	HLA 12-208360-5.0-24			208	3	15.4							
734066	HLA 12-240160-5.0-24			240	1	23.1							
734073	HLA 12-240360-5.0-24			240	3	13.4							
734080	HLA 12-480360-5.0-24			480	3	6.7							
734370	HLA 12-208160-7.5-24	7.5	25600	208	1	38		41.4			8'	193	10042
734103	HLA 12-208360-7.5-24			208	3	22.3							
734110	HLA 12-240160-7.5-24			240	1	33.6							
734127	HLA 12-240360-7.5-24			240	3	19.4							
734134	HLA 12-480360-7.5-24			480	3	9.7							
734158	HLA 16-208360-10.0-24	10	34150	208	3	29.3		21.7	40'	1500	10'	193	10623
734165	HLA 16-240160-10.0-24			240	1	44							
734172	HLA 16-240360-10.0-24			240	3	25.5							
734189	HLA 16-480360-10.0-24			480	3	12.7							
734202	HLA 20-208360-15.0-24	15	51200	208	3	43.5		19.2	43'	2450	13'	225	11083
734219	HLA 20-240360-15.0-24			240	3	38.1							
734226	HLA 20-480360-15.0-24			480	3	19							
734233	HLA 20-600360-15.0-24			600	3	15.2							
734240	HLA 20-480360-20.0-24	20	68300	480	3	25.1	26.2	43'	2450	13'	225	11512	
734257	HLA 20-600360-20.0-24			600	3	20							
734264	HLA 20-480360-25.0-24	25	85400	480	3	31.1	32.8					225	12534
734271	HLA 20-600360-25.0-24			600	3	24.9							

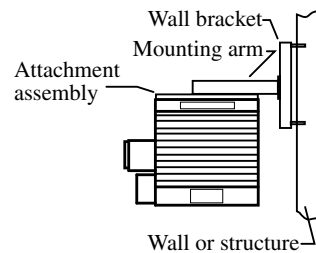
Note: Products listed in this section are custom built and subject to 100% cancellation/restock charges.

HLA Series Hazardous Location Fan Forced Unit Heater

Mounting Bracket Kits



HLHM Hanging Mounting Kit
Simple and economical if adequate overhead structure exists. Requires 1/2" pipe, cut and threaded (not supplied).



HLWM Wall Mounting Kit
Ideal for use in buildings that have substantial walls. Arm only can also be bolted directly to structural steel.

HLPM Pipe Mounting Kit

Particularly useful in buildings with insufficient strength to use other types of mounts. Requires 3 1/2" pipe (4" O.D. - not supplied).

UPC# 686334	MODEL	USE WITH HEATERS	WT. (LBS)	LIST
734288	HLPM37	3.0 kW - 7.5 kW	37	503
734295	HLPM10	10.0 kW	38	
734301	HLPM1525	15.0 kW - 25.0 kW	40	
734318	HLHM	ALL	5	201
734325	HLWM37	3.0 kW - 7.5 kW	27	419
734332	HLWM10	10.0 kW	28	
734349	HLWM1525	15.0 kW - 25.0 kW	29	

EPET Series and HLT Series Hazardous Location Thermostats For Single Phase



HLT Series



Motor Rating (full load): 3/4 HP @ 125V, 1 1/2 HP @ 250V
Pilot Duty Rating 125VA @ 24VAC
NEMA Class Seven Div. 1 Approved
Class I Group C & D, Class II Group E, F, & G
Not rated for Group B



Features

- SPDT & DPDT Models
- Heat or cool compatible
- Celsius and Fahrenheit temperature scale
- Bi-Metal or capillary sensor
- Snap action switch
- Casting tapped top and bottom for 3/4" conduit
- 1/2" thick cast aluminum housing
- Dimension 5.75" x 6.375" x 5.57"
- Made in U.S.A.

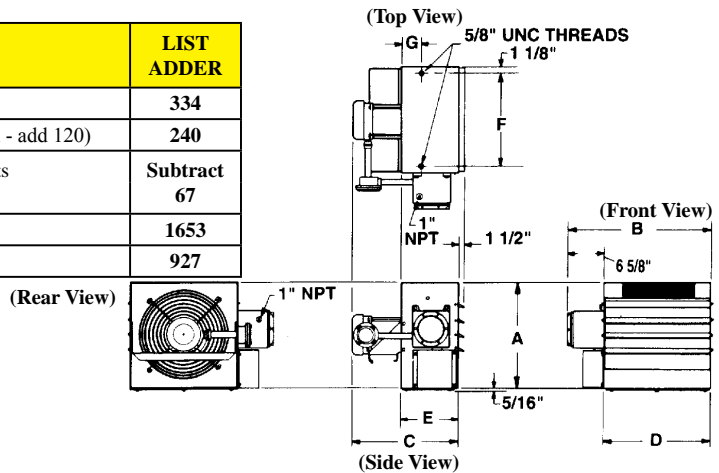
UPC# 686334	MODEL	DESCRIPTION	LOAD RATINGS	RANGE	LIST
538077	EPETD8D	DPDT - Bi-Metal	22A @ 120-277VAC	50-90°F	348
538107	EPETD8S	SPDT - Bi-Metal	22A @ 120-277VAC	50-90°F	
528078	EPETP8D	DPDT - Bi-Metal	22A @ 120-480VAC	50-90°F	
528061	EPETP8S	SPDT - Bi-Metal	22A @ 120-480VAC	50-90°F	
523158	HLT-1	SPDT - Capillary	22A @ 120-277VAC	40-110°F	500
523165	HLT-2	DPDT - Capillary	22A @ 120-277VAC	40-110°F	528
Master ctn: 4 pcs, 24 lbs (varies slightly by model), 16" x 14.5" x 6"					
EPET Series incorporate plastic knob & Bi-Metal Sensor housing.					
HLT Series incorporates screwdriver temperature adjustment slot and all metal housing. External bulb and capillary sensor.					

HLA Series Hazardous Location Fan Forced Unit Heater

Factory Installed Accessories & Physical Dimensions

SUFFIX	DESCRIPTION	LIST ADDER
T	In-Built single pole thermostat 50° - 90° F	334
120	Control transformer w/ primary fusing (Delete 24 suffix - add 120)	240
208	208/240V Control available on 208/240V units (Delete 24 suffix and add 208 OR 240)	Subtract
240		67
D	Disconnect Switch	1653
P	Pilot Light	927

MODEL	A	B	C		D	E	F	G
			3 ph.	1 ph.				
HLA 12	17 3/4"	22 3/8"	19 3/4"	20 5/8"	16 1/4"	10 1/2"	14"	3"
HLA 16	20 3/4"	26 3/8"	20 3/4"	21 5/8"	20 1/4"	11 1/2"	18"	4"
HLA 20	24 3/4"	30 3/8"	22 1/2"	N/A	24 1/4"	12 1/2"	22"	4 1/2"



PHLA Series Portable Hazardous Location Fan Forced Unit Heater



- 3.0 through 25 KW rating
- 208, 240, 480, 600 Volt available in selected capacities
- Cart has anti-static wheels to reduce the risk of static discharge
- Wheeled cart allows for easy maneuverability
- Cart has integrated fork-lift channels to provide ease of lifting on to ramps or trucks
- Excellent for providing seasonal heating in hazardous environments
- All units have disconnect switch, pilot light, and thermostat - standard
- 24 Volt control, transformer, and contactor in NEMA 7 enclosure
- Durable epoxy coating on heater housing
- Hazardous location unit mounted male / female plug
- Adjustable louvers; manual reset
- Made in U.S.A.

Standard Portable Hazardous Location Models

UPC #	MODEL	KW	BTU	VOLTS	PH	AMPS	TEMP RISE F	AIR THROW	CFM	WT. (LBS)	LIST							
686334																		
739344	PHLA12-208160-3.0-24-TDP	3	10,250	208	1	16.3	16.5	24'	580		20,549							
739337	PHLA12-208360-3.0-24-TDP			208	3	9.8												
739320	PHLA12-240160-3.0-24-TDP			240	1	14.8												
739313	PHLA12-240360-3.0-24-TDP			240	3	8.6												
739306	PHLA12-480360-3.0-24-TDP			480	3	4.3												
739436	PHLA12-600360-3.0-24-TDP			600	3	3.5												
739290	PHLA12-208160-5.0-24-TDP	5	17,100	208	1	26	27.6	24'	580	260	20,909							
739283	PHLA12-208360-5.0-24-TDP			208	3	15.4												
739276	PHLA12-240160-5.0-24-TDP			240	1	23.1												
739269	PHLA12-240360-5.0-24-TDP			240	3	13.4												
739252	PHLA12-480360-5.0-24-TDP			480	3	6.7												
739429	PHLA12-600360-5.0-24-TDP			600	3	5.4												
739245	PHLA12-208160-7.5-24-TDP	7.5	25,600	208	1	38	41.4	24'	580		21,321							
739238	PHLA12-208360-7.5-24-TDP			208	3	22.3												
739221	PHLA12-240160-7.5-24-TDP			240	1	33.6												
739214	PHLA12-240360-7.5-24-TDP			240	3	19.4												
739207	PHLA12-480360-7.5-24-TDP			480	3	9.7												
739412	PHLA12-600360-7.5-24-TDP			600	3	7.8												
739191	PHLA16-208360-10.0-24-TDP	10	34,150	208	3	29.3	21.7	40'	1500	305	23,072							
739184	PHLA16-240160-10.0-24-TDP			240	1	44												
739177	PHLA16-240360-10.0-24-TDP			240	3	25.5												
739160	PHLA16-480360-10.0-24-TDP			480	3	12.7												
739405	PHLA16-600360-10.0-24-TDP			600	3	10.2												
739153	PHLA20-208360-15.0-24-TDP			15	51,200	208						3	43.5	19.2	43'	2450	350	24,865
739146	PHLA20-240360-15.0-24-TDP	240	3			38.1												
739139	PHLA20-480360-15.0-24-TDP	480	3			19												
739399	PHLA20-600360-15.0-24-TDP	600	3			15.2												
739122	PHLA20-480360-20.0-24-TDP	20	68,300			480	3	25.1	26.2	43'	2450		25,338					
739382	PHLA20-600360-20.0-24-TDP					600	3	20										
739115	PHLA20-480360-25.0-24-TDP			25	85,400	480	3	31.1						32.8	43'	2450		26,162
739375	PHLA20-600360-25.0-24-TDP	600	3			24.9												

Note: Products listed in this section are custom built and subject to 100% cancellation/restock charges.

FEP Series Single Phase Hazardous Location Wall Convectector



Standard Unit



Unit with optional control section containing disconnect, pilot light, and thermostat (Suffix C1-TDP)



Unit with in-built EPET line voltage thermostat (Suffix T1 or T2)



T-2A SERIES SINGLE PHASE Class 1, Group B, C & D Division 1 & 2 280° C / 536° F								
UPC# 686334	MODEL	WATTS	BTU's	VOLTS	AMPS	CABINET LENGTH	WT. (LBS.)	LIST
445146	FEP-1812-1RA	1800	6143	120	15.0	34"	50	1538
445153	FEP-1820-1RA			208	8.7			
445160	FEP-1824-1RA			240	7.5			
445177	FEP-1827-1RA			277	6.5			
445184	FEP-1848-1RA			480	3.8			
445191	FEP-3620-1RA	3600	12286	208	17.3	34"	54	2347
445207	FEP-3624-1RA			240	15.0			
445214	FEP-3627-1RA			277	13.0			
445221	FEP-3648-1RA			480	7.5			
445238	FEP-3657-1RA			600	6.0			
445245	FEP-3820-1RA	3800	12969	208	18.3	58"	80	2489
445252	FEP-3824-1RA			240	15.8			
445269	FEP-38271-RA			277	13.7			
445276	FEP-3848-1RA			480	7.9			
445283*	FEP-7620-1RA			7600	25938			
445290*	FEP-7624-1RA	240	31.7					
445306*	FEP-7627-1RA	277	27.4					
445313	FEP-7648-1RA	480	15.8					
445320	FEP-7657-1RA	600	12.7					

*Items may not be used with 22 Amp line voltage thermostat

T-3A SERIES SINGLE PHASE Class 1, Group B, C & D Division 1 & 2 180° C / 356° F								
445337	FEP-0812-1RA	800	2730	120	6.7	34"	50	1538
445344	FEP-0820-1RA			208	3.8			
445351	FEP-0824-1RA			240	3.3			
445368	FEP-0827-1RA			277	2.9			
445375	FEP-0848-1RA			480	1.7			
445382	FEP-1612-1RA	1600	5460	120	13.3	34"	54	2347
445399	FEP-1620-1RA			208	7.7			
445405	FEP-1624-1RA			240	6.7			
445412	FEP-1627-1RA			277	5.8			
445429	FEP-1648-1RA			480	3.3			
445436	FEP-1657-1RA	1700	5802	600	2.7	58"	80	2489
445443	FEP-1712-1RA			120	14.2			
445450	FEP-1720-1RA			208	8.2			
445467	FEP-1724-1RA			240	7.1			
445474	FEP-1727-1RA			277	6.1			
445481	FEP-1748-1RA	3400	11604	480	3.5	58"	85	2896
445498	FEP-3420-1RA			208	16.3			
445504	FEP-3424-1RA			240	14.2			
445511	FEP-3427-1RA			277	12.3			
445528	FEP-3448-1RA			480	7.1			
445535	FEP-3457-1RA	600	5.7					

- Cabinet size 18" high, 9" wide.
- Bottom In - Front Out air flow.
- Wall mounting bracket supplied.
- Units cannot be operated in room ambients exceeding 104°F (40°C).
- Heavy duty 16 gauge steel with gray epoxy textured powder coated finish.
- 9" minimum clearance from bottom of heater to floor required.
- Stainless steel cartridge element inserted into Aluminum finned Copper sheath.
- Standard unit (without EPET thermostat or control section) is NEMA 4 rated.
- Made in U.S.A.

Factory Installed Control Options

SUFFIX*	DESCRIPTION	LIST	SUFFIX**	DESCRIPTION	LIST
T1	EPETD8S single pole thermostat factory mounted to 120V - 480V units	607	C1-TD	Control section with transformer, 24V contactor, SP thermostat (40°F - 90°F) and disconnect switch (all units)	2086
T2	EPETD8D double pole thermostat factory mounted to 120V - 480V units	629	C1-TDP	Control section with transformer, 24V contactor, SP thermostat (40°F - 90°F), disconnect switch & pilot light (all units)	2167

*Remove - RA suffix and add new suffix. **Remove - RA suffix and add new suffix (Not NEMA washdown rated or rated for Group B atmospheres) Suffix "T" is 22 Amps maximum.

Note: Products listed in this section are custom built and subject to 100% cancellation/restock charges.

FEP Series Three Phase Hazardous Location Wall Convectors

- Cabinet size 18" high, 9" wide.
- Bottom In - Top Out air flow.
- Wall mounting bracket supplied.
- Units can not be operated in room ambients exceeding 104°F (40°C).
- Heavy duty 16 gauge steel with gray epoxy textured powder coated finish.
- 9" minimum clearance from bottom of heater to floor required.
- Stainless steel cartridge element inserted into Aluminum finned Copper sheath.
- Standard unit (without EPET thermostat or control section) is NEMA 4 rated.

• Made in U.S.A.

T-2A SERIES THREE PHASE Class 1, Group B, C, & D Divisions 1 & 2 280° C / 536° F								
UPC# 686334	MODEL	WATTS	BTU's	VOLTS	AMPS	CABINET LENGTH	WT. (LBS.)	LIST
483056	FEP-1820-3RA	1800	6143	208	5.0	34"	50	1771
483063	FEP-1824-3RA			240	4.3			
486224	FEP-1848-3RA			480	2.2			
483070	FEP-3620-3RA	3600	12286	208	10.0	34"	54	2701
483087	FEP-3624-3RA			240	8.7			
486231	FEP-3648-3RA			480	4.3			
483094	FEP-3820-3RA	3800	12969	208	10.5	58"	80	2868
483100	FEP-3824-3RA			240	9.1			
486248	FEP3848-3RA			480	4.6			
483117	FEP-7620-3RA	7600	25938	208	21.1	58"	85	3320
483124	FEP-7624-3RA			240	18.3			
486255	FEP-7648-3RA			480	9.2			



Standard Unit

T-3A SERIES THREE PHASE Class 1, Group B, C & D Division 1 & 2 180° C / 356° F								
UPC#	MODEL	WATTS	BTU's	VOLTS	AMPS	CABINET LENGTH	WT. (LBS.)	LIST
483131	FEP-0820-3RA	800	2730	208	2.2	34"	50	1771
483148	FEP-0824-3RA			240	1.9			
486262	FEP-0848-3RA			480	0.9			
483155	FEP-1620-3RA	1600	5460	208	4.4	34"	54	2701
483162	FEP-1624-3RA			240	3.8			
486279	FEP-1648-3RA			480	1.9			
483179	FEP-1720-3RA	1700	5802	208	4.7	58"	80	2868
483186	FEP-1724-3RA			240	4.1			
486286	FEP-1748-3RA			480	2.0			
483193	FEP-3420-3RA	3400	11604	208	9.4	58"	85	3288
483209	FEP-3424-3RA			240	8.2			
486293	FEP-3448-3RA			480	4.1			



Unit with optional control section containing disconnect, pilot light, and thermostat (Suffix C1-TDP)

Note: Controls mounted on the left side only.

*T1 and T2 option not available on 3 phase models

Factory Installed Control Options

SUFFIX**	DESCRIPTION	LIST
C1-TD	Control section with transformer, 24V contactor, SP thermostat (40°F - 90°F) and disconnect switch (all units)	2070
C1-TDP	Control section with transformer, 24V contactor, SP thermostat (40°F - 90°F), disconnect switch & pilot light (all units)	2150

**Remove - RA suffix and add new suffix (Not NEMA washdown rated or rated for Group B atmospheres)

Note: C1-TD and C1-TDP are only options available for 3 phase units.

Remote Mounted Hazardous Location Thermostats For Single Phase Models Only

UPC# 686334	MODEL	DESCRIPTION	LOAD RATINGS	RANGE	LIST
538077	EPETD8D	DPDT - Bi-Metal	22A @ 120-277VAC	50-90°F	348
538107	EPETD8S	SPDT - Bi-Metal	22A @ 120-277VAC	50-90°F	
528078	EPETP8D	DPDT - Bi-Metal	22A @ 120-480VAC	50-90°F	
528061	EPETP8S	SPDT - Bi-Metal	22A @ 120-480VAC	50-90°F	
523158	HLT-1	SPDT - Capillary	22A @ 120-277VAC	40-110°F	500
523165	HLT-2	DPDT - Capillary	22A @ 120-277VAC	40-110°F	528
Master ctn: 4 pcs, 24 lbs (varies slightly by model), 16" x 14.5" x 6"					
EPET Series incorporates plastic knob & Bi-Metal Sensor housing.					
HLT Series incorporates screwdriver temperature adjustment slot and all metal housing. External bulb and capillary sensor.					



HLT Series



EPET Series Parameters

Dimensions: Height 5 5/8", Width 6 3/8", Depth 4 1/2"
 Finish: Silver-Gray
 Type: Single or Double Pole

Note: Products listed in this section are custom built and subject to 100% cancellation/restock charges.

Motor Rating: (full load) 1 1/2 HP @ 250V
 Rating: 22A @ 125-277VAC; 125VA @ 24VAC
 Rated: Class I Group C & D, Class II Group E, F, G
 Thermostat is not rated for use in Group B environments.

5500 Series Washdown Fan Forced Unit Heater



The Washdown Series unit heaters are electric unit heaters constructed for use in areas that require washing or hosing of equipment due to dirty or dusty industrial environments in non-hazardous locations. The totally enclosed water-tight construction made with corrosion-resistant material make this series ideal for industrial heating applications. The Washdown Series is constructed with all built-in controls and safety temperature controls wired in a non-metallic Nema 4x control panel with single-point power connections.

- Heavy-duty 304 16 gauge stainless steel shroud.
- 316 stainless construction available.
- Nema 4x non-metallic control panel.
- 24-Volt transformer and control panel.
- 3-position switch (off-heat-fan).
- Capillary thermostat with stainless steel sensor.
- Automatic reset thermal cutout.
- Totally enclosed U.L. listed motor.
- Pilot light (power on indicator).



- Stainless steel finned tubular element. Constructed of 304 or 316 stainless rod and fins.
- Control panel on bottom of unit for ease of installation and service.
- Disconnect switch with enclosure door interlock.
- Front grill rotates to direct airflow.
- Single-point power connection.
- Fan Blade Epoxy coated Aluminum.
- Epoxy painted cold roll steel model available, consult factory
- Meets all U.L., NEC, and OSHA requirements (when installed as directed).
- Corrosion-resistant in high humidity and water-saturated areas (for areas where corrosion resistance is needed in non-explosive areas, contact factory for heater applications and optional materials).
- Thermostat temp range: 40°-100°F
- Made in U.S.A.



Mounting Bracket Kits & Product Dimensions

SIZE KW	UPC# 686334	STAINLESS Steel COMBINATION BRACKET	LIST	UPC# 686334	WALL MTG. BRACKET *	LIST	UPC# 686334	HANGING BRACKET *	LIST	UPC# 686334	PIPE MTG. BRACKET *	LIST
3.3-15	713672	A5520/UHB	308	713726	W5520/WMK	438	713702	H5520/HMK	308	713689	P5520/PMK	438
20-48		----	-	713733	W5550/WMK		713719	H5550/HMK		713696	P5550/PMK	

* Material: Heavy Duty Epoxy Powder Coat Finish.

3-15 Kw ONLY

A5520

Ideal for use in buildings that have substantial walls. Arm (only) can be bolted directly to structural steel.

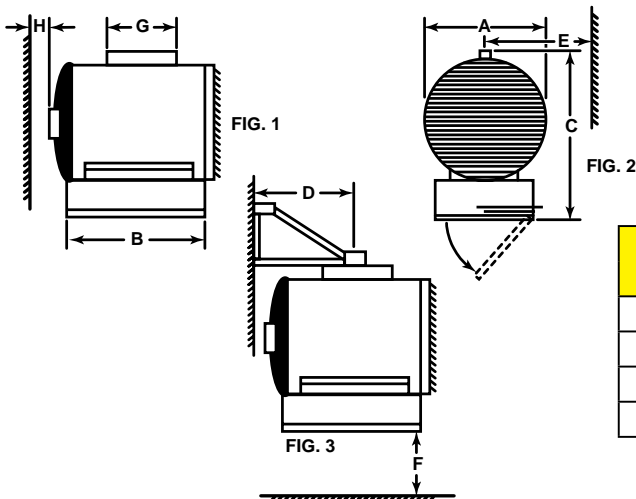
W5550

Simple and economical if adequate overhead structure exists. Requires 1/2" pipe, cut and threaded (not supplied).

H5550

Particularly useful in buildings with insufficient strength to use other types of mounts. Requires 3 1/2" pipe (4" O.D.-not supplied).

P5550



Heater KW	Heater Dimension in Inches unless otherwise stated.							
	A	B	C	D	E	F	G	H
3-7.5	12.00	18.00	19.75	15.25	16.25	6 ft.	8.00	6.00
10-15	14.00	19.00	21.75	15.25	18.00		8.00	6.00
20-30	16.00	27.00	28.75	19.50	17.50		15.50	4.50
40-48	18.00	31.00	30.75	19.50	19.50		21.75	2.75

5500 Series Washdown Fan Forced Unit Heater

Product Specifications & Standard Washdown Models

Enclosure and Motor:

Element housing shall be 16 gauge 304 or 316 stainless steel shroud. The outlet grill and louver assembly shall be 304/316 stainless steel and rotate for direction of discharge air. The heater shall have a 304/316 stainless steel inlet grill and fan guard. The motor shall be totally enclosed, permanently lubricated and designed to resist moisture and corrosion. The fan blade shall be aluminum with a powder coated epoxy finish.

Element: The heating element shall be 304 or 316 stainless steel tube with 304/316 stainless steel fin material helically attached to the tube for even heat transfer. The element designed with the highest quality nickel-chromium resistance wire embedded in compacted efficient dielectric to ensure proper heat transfer.

Control Panel: The control enclosure shall be non-metallic Nema 4X control panel water-tight and dust-tight. The enclosure and elements are attached to the control panel with stainless steel fasteners. Standard control components are factory mounted and wired with access through control panel door on bottom of heater assembly. A standard door interlock disconnect switch shall be factory mounted and wired for safety.

Controls: All controls shall be factory mounted and wired in Nema 4X panel. Terminal block, 24 Volt transformer, high temperature limits, contactor and fusing if required by NEC are mounted and wired in control panel. A three-position switch (Off-Heat-Fan) shall be mounted on side of control panel for access from outside of panel. A pilot light to indicate power is on for safety shall be located on side of control panel. A wall mounted Nema 4X thermostat is an optional accessory.

Mounting Bracket: A formed 304/316 stainless steel bracket shall be used on 3.3 thru 15 KW units. A cast iron epoxy painted bracket shall be used on 20 thru 48 KW units. Above brackets shall be combination wall/ceiling type. Optional mounting brackets are available.

UPC# 686334	MODEL	KW	BTU's	VOLTS	PH	AMPS	CONTROL VOLTAGE	TEMP RISE °F	AIR THROW	CFM	WT. (LBS)	LIST
713047	F1F5503T	3.3	11200	208	1	15.9	24	26				4072
713054	F3F5503T			208	3	9.2						
713061	H1H5503T			240	1	13.7						
713078	H3H5503T			240	3	7.9						
713085	G1G5503T			277	1	11.9						
713092	P3P5503T			480	3	4						
713115	F1F5505T	5	17100	208	1	24.1		40	20'	400	58	4227
713122	F3F5505T			208	3	13.9						
713139	H1H5505T			240	1	20.8						
713146	H3H5505T			240	3	12.1						
713153	G1G5505T			277	1	18.1						
713160	P3P5505T			480	3	6.1						
713184	F1F5507T	7.5	25600	208	1	36.1		60				4814
713191	F3F5507T			208	3	20.8						
713207	H1H5507T			240	1	31.3						
713214	H3H5507T			240	3	13.1						
713221	G1G5507T			277	1	27.1						
713238	P3P5507T			480	3	9.1						
713252	F1F5510T	10	34130	208	1	47.8		45				5792
713269	F3F5510T			208	3	27.7						
713276	H1H5510T			240	1	41.2						
713283	H3H5510T			240	3	24.1						
713290	G1G5510T			277	1	36.1						
713306	P3P5510T			480	3	12.1						
713399	F1F5515T	15	51200	208	1	72.1	68				6642	
713405	F3F5515T			208	3	41.7						
713412	H1H5515T			240	1	62.5						
713429	H3H5515T			240	3	36.1						
713443	P3P5515T			480	3	18.1						
713467	F3F5520T			20	68260	208						3
713474	H3H5520T	240	3			48.2						
713481	P3P5520T	480	3			24.1						
713504	F3F5525T	25	85325	208	3	69.5	56	35'	1400	92	7630	
713511	H3H5525T			240	3	60.2						
713528	P3P5525T			480	3	30.1						
713542	F3F5530T	30	102390	208	3	83.4	68				8330	
713559	H3H5530T			240	3	72.3						
713566	P3P5530T			480	3	36.1						
713603	P3P5540T	40	136520	480	3	48.2	70	42'	1800	126	8684	
713641	P3P5548T	48	163824	480	3	57.8	84				10799	

Note: Products listed in this section are custom built and subject to 100% cancellation/restock charges.
 Note: For 60Amp disconnect add \$50.00 Net. Add 'D' as the suffix; For optional monel elements, add 40% to the net of the heater. For powder coat epoxy painting of shroud, add \$210 list to heater pricing. For 316 stainless add 20% to net price of the heater.

Remote Rain-Tight Thermostat



UPC# 686334	MODEL	DESCRIPTION	LIST
523424	TW155A	1 POLE, 40-110 deg F, 22Amp	185
523431	TW255A	2 POLE, 40-110 deg F, 22Amp	216

- NEMA 4X Construction Stainless Steel Hardware
- Made in U.S.A. with domestic and foreign components

UH Series Horizontal Fan Forced Unit Heater

3.3 KW THROUGH 48 KW HORIZONTAL DISCHARGE SUSPENDED FAN FORCED UNIT HEATERS
AVAILABLE IN 1 OR 3 PHASE FOR ALL STANDARD VOLTAGES FROM 208V TO 480V.



NOTE: Louver assembly is square and mounted with screws. Louver can be removed and repositioned for four (4) directional air flow - left - right - up - down with the heater in the horizontal position.

FACTORY INSTALLED OPTIONS:

- 24 Volt transformer on 3 KW to 15KW units to convert from line voltage to low voltage remote thermostat operation.
- Summer fan switch to operate the fan only.
- Fan delay switch to purge all residual heat from the unit after the heating element has cycled off.
- Powder coated epoxy finish for corrosive atmospheres.
- Disconnect switch.
- Made in U.S.A.

CONSTRUCTION:

Heavy gauge welded steel cabinet with powder coated finish and control compartment with a hinged and latched access door, simplifying wiring installation & maintenance.

HEATING ELEMENT:

Circular copper clad steel sheath element with continuously brazed steel fins formed to match the air delivery pattern of the fan blade.

OVERHEAT PROTECTION:

All units come equipped with automatic resetting type limit controls to de-energize the heater should an over-temperature situation occur.

FAN and MOTOR:

Totally enclosed, single phase, permanently lubricated, thermally protected motors with unit bearings on 3 KW - 10 KW models and sleeve bearings on 12.5 KW - 48 KW models - mounted with rubber insulators to minimize vibration and noise. Fan assembly enclosed by a heavy gauge, close spaced, chrome plated wire guard.

LOUVER ASSEMBLY:

Louvers are individually adjustable for directional control of air flow and the entire assembly can be repositioned in the field from down flow to up flow or left / right directional air flow.

TEMPERATURE CONTROLS:

20 KW through 48 KW units and all 480V have built in 24 Volt transformer for low voltage remote thermostat application. 25 KW through 48 KW models available in 2-stage on special order (consult factory).

INSTALLATION:

Unit Heaters can be mounted with the motor shaft from horizontal to downward at 45° off horizontal. Pre-drilled holes and installed threaded nuts provided to allow hanging by threaded rods - 1/4" for units up to 15 KW and 5/16" for 20 KW units and larger. Optional wall / ceiling mounting brackets are available for all units.

MAXIMUM RECOMMENDED MOUNTING HEIGHT	
3 - 10 KW	9 FT.
12 - 15 KW	10 FT.
20 - 30 KW	13 FT.
40 - 48 KW	16 FT.

Product Dimensions & Model Number Designation

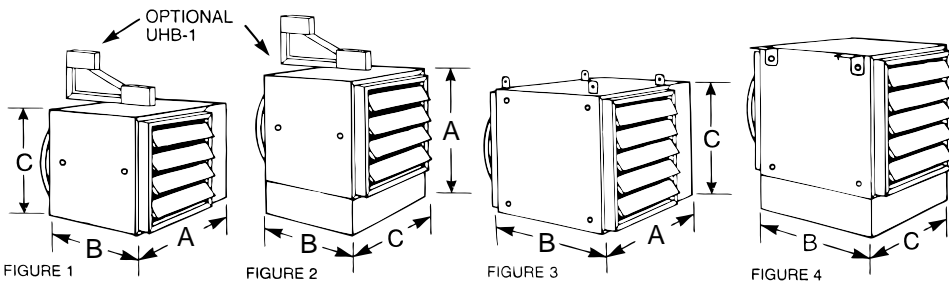


FIGURE 1 3.3 KW THROUGH 15 KW UNIT HEATERS
FIGURE 2 20 KW THROUGH 48 KW UNIT HEATERS

Dimensions	A	B	C
Figure 1: 3.3, 5, 7.5, 10 KW	20"	11"	13"
Figure 2: 12.5, 15 KW	22"	11"	15"
Figure 3: 20, 25, 30 KW	24"	17"	17"
Figure 4: 40, 48 KW	26"	23"	19"

Figures 3 & 4 shown with standard mounting tabs for units over 20 KW. Optional UHB-3 and UHB-4 wall brackets are available. 3.3 KW thru 15 KW units can be mounted using 1/4" threaded rod. 20 KW thru 48 KW units can be mounted using 5/16" threaded rod.

HOW TO DESIGNATE A MODEL:

H 2 H UH 10 C A 1							
Element Volts F = 208 H = 240 HF = 240/208 G = 277 P = 480	Phase 1 = 1-Phase 2 = 1 or 3-Ph. 3 = 3-Phase	Motor Voltage F = 208 H = 240 B = 240 / 208 G = 277 P = 480	Model Series UH	Element KW	Control System O = None C = Contactor R = Relay	Transformer O = None A = Included	Control Volts 1 = 24 2 = 120 3 = Element Voltage 4 = 240

Factory Installed Options (use as a suffix on model designation):
S = Summer Fan Switch, F = Fan Delay, D = Disconnect, T = Built-in Thermostat, E = Epoxy Coated

Field Installed Options:
Disconnect Switch, Built-in Thermostat, & Wall / Ceiling Bracket

UH Series Horizontal Fan Forced Unit Heater

Standard Product Models

UPC#	MODEL	KW	BTU'S	VOLTS	PH	AMPS	CONTROL VOLTS	TEMP RISE °F	AIR THROW	CFM	RECOM'D MOUNTING HT.	WT. (LBS)	LIST	
644600	F1FUH03003	3.3	11200	208	1	15.9	208	26	26'	400	9'	36	714	
644662	H1HUH03003			240	1	13.8	240							
644723	G1GUH03003			277	1	11.9	277							
711487	H3HUH03C03			240	3	7.9	240							
711494	F3FUH03C03			208	3	9.2	208							
711401	P3PUH03CA1	480	3	4	24	910								
644617	F1FUH05003	5	17100	208	1	24.1	208	40	26'	400	9'	36	746	
644679	H1HUH05003			240	1	20.8	240							
644730	G1GUH05003			277	1	18.1	277							
644938	F2FUH05C03			208	1 or 3	24.1 / 14.0	208					44		
644945	H2HUH05C03			240	1 or 3	20.8 / 12.1	240							
644884	P3PUH05CA1	480	3	6.1	24	987								
718059	F1FUH07CA1	7.5	25600	208	1	36.1	24	42	36'	575	9'	40	1150	
717373	H1HUH07CA1			240	1	31.3	24					41		
715188	G1GUH07CA1			277	1	27.1	24					41		
644792	F3FUH07C03			208	3	20.8	208					44		
644952	H2HUH07C03			240	1 or 3	31.3 / 18.1	240							
644891	P3PUH07CA1	480	3	9.1	24	1241								
717090	F1FUH10CA1	10.0	34100	208	1	48.1	24	55	36'	575	9'	42	1267	
680844	H1HUH10CA1			240	1	41.7	24							
717380	G1GUH10CA1			277	1	36.1	24							
644969	F2FUH10C03			208	1 or 3	48.1 / 27.8	208					45		
644976	HF2BUH10C03	10 / 7.5	34100	240	1 or 3	41.7 / 24.1	240	55	42	51	1314			
711425	P3PUH10CA1	10.0	34100	480	3	12.1	24	55						
644648	F1FUH12C03	12.5	42600	208	1	60.1	208	49	45'	800	10'	45	2040	
644709	H1HUH12C03			240	1	52.1	240							
644815	F3FUH12C03			208	3	34.7	208							2122
644860	H3HUH12C03			240	3	30.1	240							
711432	P3PUH12CA1			480	3	15.1	24							
644655	F1FUH15C03	15.0	51200	208	1	72.1	208	59	45'	800	10'	54	2245	
644716	H1HUH15C03			240	1	62.5	240							
644822	F3FUH15C03			208	3	41.7	208							2334
644877	H3HUH15C03			240	3	36.1	240							
711449	P3PUH15CA1			480	3	18.1	24							
688307	F1FUH20CA1	20.0	68300	208	1	96.2	24	47	56'	1350	13'	55	3081	
688420	H1HUH20CA1			240	1	83.3	24							
688314	F3FUH20CA1			208	3	55.6	24							
688437	H3HUH20CA1			240	3	48.2	24							
688321	P3PUH20CA1			480	3	24.1	24							
688444	F1FUH25CA1	25.0	85300	208	1	120.2	24	58	56'	1350	13'	55	3631	
688338	H1HUH25CA1			240	1	104.2	24							
688451	F3FUH25CA1			208	3	69.5	24							
688345	H3HUH25CA1			240	3	60.2	24							
688468	P3PUH25CA1			480	3	30.1	24							
688475	H1HUH30CA1	30.0	102390	240	1	125	24	70	56'	1350	13'	60	4204	
688369	F3FUH30CA1			208	3	83.4	24							
688482	H3HUH30CA1			240	3	72.3	24							
688376	P3PUH30CA1			480	3	36.1	24							
688406	P3PUH40CA1	40.0	136500	480	3	48.2	24	55	56'	2275	16'	75	5373	
688789	P3PUH48CA1	48.0	163800	480	3	57.8	24	67	56'	2275	16'	78	6708	

Factory & Field Installed Accessories

FACTORY INSTALLED OPTIONS		LIST
SUFFIX	DESCRIPTION	
F	Heat purge fan delay switch for 208 / 240 / 277V units (includes contactor & transformer)	212
	Heat purge fan delay switch for 480V units (contactor & transformer standard in unit)	123
S	Summer fan switch	61
CA1	24v Transformer (3.3 KW - 15 KW units) & Contactor	155
CA2	120v Transformer (3.3 KW - 15 KW units) & Contactor	
E	Epoxy Coating	117
T	SPST Thermostat	71
D	Disconnect Switch - 30 Amps	296
	Disconnect Switch - 40 Amps	339
	Disconnect Switch - 80 Amps	426
	Disconnect Switch - 100 Amps	432

FIELD INSTALLED ACCESSORIES			
UPC#	MODEL	DESCRIPTION	LIST
646239	DCS303	30 Amp Disconnect Kit	252
646246	DCS403	40 Amp Disconnect Kit	297
646253	DCS803	80 Amp Disconnect Kit	389
646260	DCS1003	100 Amp Disconnect Kit	392
687997	TUH1	25 Amp SPST Thermostat Kit	71
699105	UHB-1	wall / ceiling bracket - 3.3 KW - 15 KW units	104
699112	UHB-3	wall / ceiling bracket - 20 KW - 30 KW units	118
699129	UHB-4	wall / ceiling bracket - 35 KW - 48 KW units	150

NOTE: Factory installed heat purge fan delay option (F) requires unit to have CA1 or CA2 factory installed

5100 Series Horizontal or Vertical Mounted Fan Forced Unit Heater

3.3 KW THROUGH 50 KW SUSPENDED FAN FORCED UNIT HEATERS AVAILABLE IN 1 OR 3 PHASE FOR ALL STANDARD VOLTAGES FROM 208V TO 480V THAT CAN BE MOUNTED TO PROVIDE HORIZONTAL OR VERTICAL DISCHARGE.



Horizontal Discharge



Vertical Discharge

CONSTRUCTION:

Heavy 18 gauge welded steel cabinet with powder coated finish and control compartment housing a master terminal board with a hinged and latched access door, simplifying wiring, installation & maintenance.

HEATING ELEMENT:

Copper clad steel sheath element with continuously brazed steel fins formed to allow side draw through air flow.

OVERHEAT PROTECTION:

All units come equipped with automatic reset type limit controls to de-energize the heater should an over-temperature situation occur.

FAN and MOTOR:

Totally enclosed, 1-speed, 1-phase, permanently lubricated, thermally protected motors with unit bearings on 3 KW - 20 KW models. Totally enclosed, 2-speed, 1-phase, permanently lubricated, thermally protected motors with sleeve bearings on 25 KW - 50 KW models. All motors mounted with rubber insulators to minimize vibration & noise. Fan over-ride purges unit of residual heat at shutdown.

LOUVER ASSEMBLY:

Louvers are individually adjustable for directional control of air flow up to 15° from straight horizontal. Optional diffusers available for down flow (vertical discharge) applications.

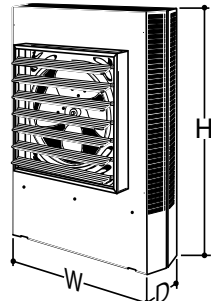
TEMPERATURE CONTROLS:

Optional low voltage and line voltage thermostats available with an adjustable temperature range of 40°F to 90°F. Units with model numbers ending in CA1 are factory wired for low voltage controls. 25 KW through 50 KW units are designed for two stage heating operation.

INSTALLATION:

Unit Heaters can be mounted for horizontal or vertical discharge. Applications up to 6000 Ft. See UH Series above 6000 Ft.

Taskmaster Dimensions



KW RATING	DIMENSIONS (inches)		
	H	W	D
3.3 - 5.0	17 3/4	14 15/32	6 1/2
7.5 - 10.0	24 5/16	21 1/2	6 1/2
15.0 - 20.0	28 11/16	21 1/2	6 1/2
25.0 - 50.0	34	29 1/4	10 1/16

FEATURES:

- Made in U.S.A.

FIELD INSTALLED OPTIONS:

- In-unit or wall mounted temperature control thermostats low or line voltage.
- Summer fan switch to operate the fan only.
- Power disconnect switch.
- Heat stratification thermostat.



Installing the Taskmaster Series

DETERMINING HEATER REQUIREMENTS

Calculate the heating loads using the NEMA handbook or ASHRAE guide. Then determine the quantity and size of unit heaters to be used. To maintain uniform heat and reduce stratified air, it is recommended that the total CFM of the units turn the air over approximately 3 times per hour. In instances where a large group of people are located and normally in the same area, use a large number of lower KW unit heaters. In warehouse areas or storage rooms where heat distribution and constant temperatures are less important, use fewer heaters of higher capacity.

HORIZONTAL MOUNT

Small rooms can be heated by one unit heater. Where two walls are exposed, heaters should be mounted as shown in Figure A. In larger rooms, units should be located so their air streams wipe exposed walls without blowing at them. Units should be located so that the air stream of one supports that of another thus setting up a circulatory air movement shown in Figure B. (Distance between units to be approximately 1-1/2 times published air throw.) Units should not be mounted horizontally in areas having ceiling heights in excess of 15-18 ft.

VERTICAL MOUNT

Units should be mounted vertically in high bay areas, or where heater location would not interfere with plant operation or traffic. Heaters should be situated to provide free air circulation. Size and selection of units should be based on recommended mounting height. Optional diffusers may best be employed to reduce high air velocity and at the same time disperse heated air in a uniform pattern. When unit heaters are used to combat cold air inrush from opened loading dock doors, one or more units should be arranged to blow warm air across opening (Figure C).

DUAL MOUNTING

Where square footage is large and comfort essential, both horizontal and vertical installations may best serve your requirements as Figure D demonstrates.

Note: Products in this section with factory installed controls are subject to 100% cancellation/restocking charges.

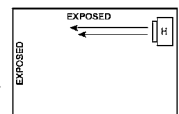


Figure A

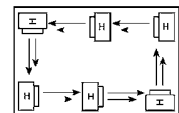


Figure B

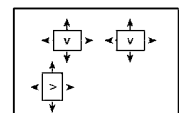


Figure C

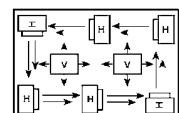
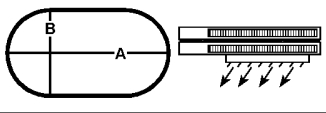
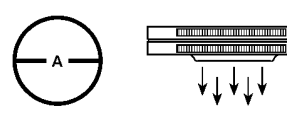
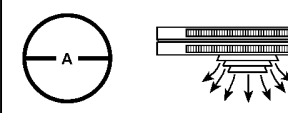
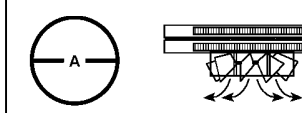


Figure D

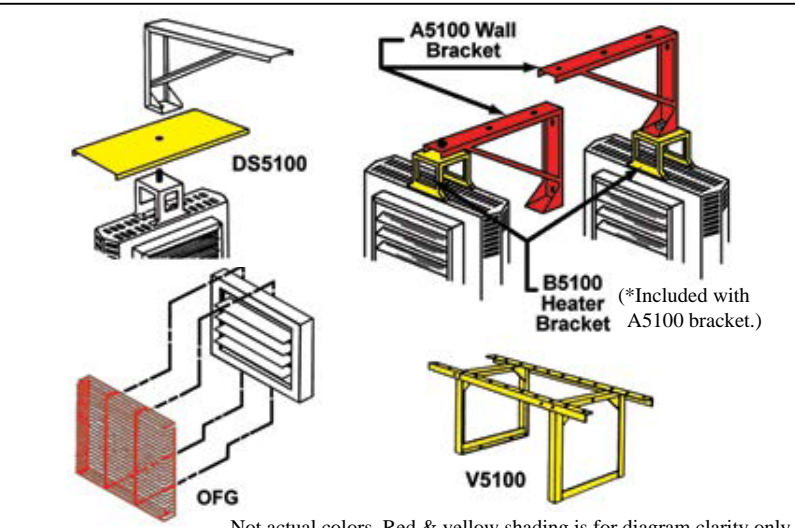
5100 Series Horizontal or Vertical Mounted Fan Forced Unit Heater

Diffuser Options

DESCRIPTION	UPC# 686334	MODEL NUMBER	KW USED	MAX MOUNTING HEIGHT (ft.)	DIMENSION A (feet)		DIMENSION B (feet)		WT. (LBS)	LIST
1 Louver Diffuser (Standard). Louvers can be individually adjusted for rectangular coverage over doorways as an air curtain, or to meet rectangular floor pattern heating requirements.	NA	Standard	3.3-5	9	20		10		NA	NA
			7.5-10	12	40		22			
			25-30	18	52		30			
			40-50	22	75		42			
			40-50	24	84		47			
2 General Distribution (No Diffuser). The 5100 air chute venturi permits general down flow air pattern distribution as required at a higher mounting height.	NA	Not Required	3.3-5	9	15		NA		NA	NA
			7.5-10	12	30		NA			
			25-30	18	40		NA			
			40-50	22	55		NA			
			40-50	24	64		NA			
3 Anemostat Diffuser (Optional). For applications where draft restriction is required at lower unit mounting heights.	692687	AD5120	7.5-10	15	38		NA		10	391
	681186	AD5150	25-30	17	50		NA		12	583
	681186	AD5150	40-50	20	60		NA		37	628
	722070	AD5175	60-70	31	-		NA			
					45°	90°	45°	90°		
4 Radial Diffuser (Optional). Individually adjustable fins permit increased floor coverage at 45° open. Additional throw is accomplished when fins are 90° vertical. (Please allow for higher mounting heights.)	692663	RD5120	7.5-20	10	14	36	30	NA	12	433
	692663	RD5120	7.5-20	14	21	42	35		14	506
	692670	RD5150	25-50	20	30	62	44			
	692670	RD5150	25-50	18	28	68	54			
	722087	RD5175	60-70	26	36	72	60			

 <p>Description 1 Louver Diffuser</p>	 <p>Description 2 No Diffuser</p>	 <p>Description 3 Anemostat Diffuser</p>	 <p>Description 4 Radial Diffuser</p>
--	--	--	--

Mounting Brackets & Model Designator



Not actual colors. Red & yellow shading is for diagram clarity only.

MOUNTING BRACKETS				
UPC#	MODEL	MODEL SIZE	WT. (LBS)	LIST
686334				
692694	A5105	3.3 KW TO 5.0 KW	9	101
692700	A5120	7.5 KW TO 20.0 KW	13	123
692717	A5150	25.0 KW TO 50.0 KW	16	138
688628	B5105*	3.3 KW TO 20.0 KW	3	55
688635	B5150*	25.0 KW TO 50.0 KW	8	81
692847	V5105	3.3 KW TO 5.0 KW	9	193
692854	V5120	7.5 KW TO 20.0 KW	13	236
692861	V5150	25.0 KW TO 50.0 KW	16	248
DUST SHIELD				
692878	DS5105	3.3 KW TO 5.0 KW	3	35
692885	DS5120	7.5 KW TO 20.0 KW	4	40
681223	DS5150	25.0 KW TO 50.0 KW	5	42
FAN GUARD				
706544	OFG5101	3.3 KW TO 5.0 KW	3	56
706551	OFG5102	7.5 KW TO 20.0 KW	4	61
706568	OFG5103	25.0 KW TO 50.0 KW	5	70

HOW TO DESIGNATE A MODEL:

HF	2	B	51	10	C	A	1
Element Volts F = 208 H = 240 HF = 240/208 G = 277 P = 480	Phase 1 = 1-Phase 2 = 1 or 3-Ph. 3 = 3-Phase	Motor Voltage F = 208 H = 240 B = 240 / 208 G = 277 P = 480	Model Series 51	Element KW	Control System Blank = None C = Contactor	Transformer Blank = None A = Included	Control Volts 1 = 24 2 = 120 (with CA option)

5100 Series Horizontal or Vertical Mounted Fan Forced Unit Heater

Standard Taskmaster Models & Series Notes

16

UPC# 686334	MODEL	KW	BTU / H	VOLTS	PH	AMPS	CONTROL VOLTAGE	TEMP RISE	AIR THROW	CFM	RECOMMENDED MOUNTING HT.		WT. (LBS)	LIST					
											Horizontal	Vertical							
645089	F1F5103N	3.3	11.2	208	1	15.9 / 9.17	208	26°F	12'	400	9'	9'	25	714					
645102	HF1B5103N	3.3/2.5	11.2 / 8.5	240/208	1	13.7 / 11.9	240 / 208												
645683	F2F5103N	3.3	11.2	208	1 / 3	15.9 / 9.17	208												
645706	HF2B5103N	3.3/2.5	11.2 / 8.5	240/208	1 / 3	13.7 / 11.9	240 / 208												
645720	G1G5103N	3.3	11.2	277	1	11.9	277												
645126	P3P5103CA1N			480	3	4.0	24												
645546	F1F5105N	5.0	17.1	208	1	24.1	208	40°F	12'	400	9'	9'	25	746					
645560	HF1B5105N	5.0/3.7	17.1 / 12.8	240/208	1	20.9 / 18.1	240 / 208												
645140	F2F5105N	5.0	17.1	208	1 / 3	24.1	208												
645164	HF2B5105N	5.0	17.1	240	1 / 3	20.8 / 18.1	240												
645843	G1G5105N	5.0	17.1	277	1	18.1	277												
645188	P3P5105CA1N	5.0	17.1	480	3	6.1	24						987						
645201	F2F5107CA1L	7.5	25.6	208	1 / 3	36.1 / 20.8	24						34°F	22'	700	10'	12'	54	1150
645225	HF2B5107CA1L	7.5	25.6	240	1 / 3	27.1 / 31.3													
645928	G1G5107CA1L	7.5	25.6	277	1	27.1													
645249	P3P5107CA1N	7.5	25.6	480	3	9.1													
645263	F2F5110CA1L	9.9	33.8	208	1 / 3	47.8 / 27.4													
645287	HF2B5110CA1L	10.0	34.1	240	1 / 3	41.2 / 24.0		45°F	22'	700	10'	14'	55	1267					
645645	G1G5110CA1N	10.0	34.1	277	1	36.1		24	43°F	32'	1100	11'	20'	64	2040				
645300	P3P5110CA1N	10.0	34.1	480	3	12.1													
645324	F3F5115CA1L	15.0	51.2	208	3	41.7													
645348	HF3B5115CA1L	15.0/11.2	51.2 / 38.4	240/208	3	36.1 / 31.3													
645362	P3P5115CA1N	15.0	51.2	480	3	18.1													
645386	HF3B5120CA1L	19.7/14.8	67.2 / 50.5	240/208	3	47.8 / 41.1	57°F		32'	1100	12'	18'	65	2801					
645409	P3P5120CA1N	20.0	68.3	480	3	24.1	24		40/44°F	45'	2000/1800	12'	22'	120	3301				
645881	F3F5125CA1L	25.0	85.3	208	3	69.5													
645942	HF3B5125CA1L	25.0/18.7	85.3 / 64.0	240/208	3	60.2 / 52.1													
645980	P3P5125CA1N	25.0	85.3	480	3	30.1													
645423	F3F5130CA1L	30.0	102.4	208	3	83.4													
645447	HF3B5130CA1L	30.0/22.5	102.4 / 76.8	240/208	3	72.3 / 62.5		47/53°F	40'	2000/1800	12'	20'	120	3821					
645461	P3P5130CA1N	30.0	102.4	480	3	36.2		24	40/45°F	55'	3100/2800	15'	24'	120	4885				
644044	F3F5140CA1L	40.0	136.5	208	3	111.2													
644068	HF3B5140CA1L	40.0/30.0	136.5/102.4	240/208	3	96.4 / 83.4													
644082	P3P5140CA1N	39.0	133.1	480	3	47.0													
645485	F3F5150CA1L	49.6	169.3	208	3	139.0													
645508	HF3B5150CA1L	50.0/37.5	170.6/128.0	240/208	3	120.5/104.3	51/56°F		50'	3100/2800	15'	22'	120	6098					
645522	P3P5150CA1N	50.0	170.6	480	3	60.3													

International Models

UPC# 686334	MODEL	KW	BTU/H	VOLTS	PH	AMPS	CONTROL VOLTAGE	TEMP RISE	AIR THROW	CFM	RECOMMENDED MOUNTING HT.		WT. (LBS)	LIST
											Horizontal	Vertical		
715300	Q3H5103CA1	3.3	11263	380	3	5.02	24	26	12'	400	9'	9'	25	714
724920	R3H5103CA1			415		4.6								910
724937	Q3H5105CA1	5.0	17065	380	3	7.6	24	40	12'	400	9'	9'	27	746
424944	R3H5105CA1			415		6.96								987
717137	Q3H5107CA1	7.5	25600	380	3	11.4	24	34	22'	700	10'	12'	54	1150
724951	R3H5107CA1			415		10.5								1241
686570	Q3H5110CA1	10.0	34130	380	3	15.2	24	45	12'	2000/1800	12'	14'	55	1267
724968	R3H5110CA1			415		13.9								1314
724975	Q3H5115CA1	15.0	51195	380	3	22.8	24	43	32'	1100	11'	20'	64	2040
724982	R3H5115CA1			415		20.9								2128
704175	Q3H5120CA1	20.0	68260	380	3	30.4	24	57	45'	2000/1800	12'	18'	65	2801
724999	R3H5120CA1			415		27.85								
719193	Q3H5125CA1	25.0	85325	380	3	38.0	24	40/44	45'	2000/1800	12'	22'	120	3301
710619	R3H5125CA1			415		34.8								
725002	Q3H5130CA1	30.0	102390	380	3	45.6	24	47/53	40'	2000/1800	12'	20'	120	3821
710626	R3H5130CA1			415		41.8								
725019	Q3H5140CA1	40.0	136520	380	3	60.85	24	40/45	55'	3100/2800	15'	24'	120	4885
709835	R3H5140CA1			415		55.7								

- For 24V control add "CA1" suffix and \$101 list. • For 120V control add "CA2" suffix and \$101 list.
- For other voltages consult factory.

NOTES:

- 25-50KW models are wired for single or two stage heating and have two speed motors.
- Air delivery and motor data on dual voltage units reflect higher voltage.
- 600 Volt models available in 5 KW through 30 KW. Contact factory for delivery.
- Supply wire on 40 and 50 KW models should have rated insulation of 75°C minimum.
- Use T5122 for two stage control.
- Use TW123 for two stage control.
- Use TFS5102 for two stage control.
- Wall thermostat must be used when built-in stratification thermostat is required.

5100 Series Horizontal or Vertical Mounted Fan Forced Unit Heater

Recommended Control Options, Control Accessory Options, & Control Accessories

MODEL	DISCONNECT SWITCH		THERMOSTAT		SUMMER FAN SWITCH		THERMOSTAT & SUMMER FAN SWITCH WALL MOUNTED	STRATIFICATION THERMOSTAT		
	1 Ø	3 Ø	IN-BUILT	WALL MOUNTED	IN-BUILT	WALL MOUNTED		IN-BUILT	WALL MOUNTED	
F1F5103N	DCS 202	NA	T5100	ET5SS	FS5101	FSW5111	NA	TC5103	TC1602	
HF1B5103N										
F2F5103N	NA	DCS 403	T5102	TW 1512	FS5101	FSW5111	NA	TC5103	TC1602	
HF2B5103N	DCS 202	NA	T5100	ET 5SS						
G1G5103N	DCS 202	NA	T5100	ET5SS	FS5102	FSW5112	TFS5101	NA	TC5102	NA
P3P5103CA1N	NA	DCS 403		A6176						
F1F5105N	DCS 403	NA	T5100	S2025	FS5101	FSW5111	NA	TC5103	TC1602	
HF1B5105N				NA						DCS 403
F2F5105N	NA	DCS 403	T5102	TW 1512	FS5101	FSW5111	NA	TC5103	TC1602	
HF2B5105N	DCS 403	NA	T5100	ET5SS						
G1G5105N	DCS 202	NA	T5100	S2025	FS5102	FSW5112	TFS5101	NA	TC5102	NA
P3P5105CA1N	NA	DCS 403		A6176						
F2F5107CA1L	DCS 403	NA	T5100	A6176	FS5101	FSW5111	TFS5101	TC5103	TC1602	
HF2B5107CA1L	NA	DCS 403								
G1G5107CA1L	DCS 403	NA	T5100	A6176	FS5102	FSW5112	TFS5101	NA	TC5102	NA
P3P5107CA1L	NA	DCS 403								
F2F5110CA1L	DCS 603	NA	T5100	A6176	FS5101	FSW5111	TFS5101	TC5103	TC1602	
HF2B5110CA1L	NA	DCS 403								
G1G5110CA1N	DCS 403	NA	T5100	A6176 OR TW123	FS5102	FSW5112	TFS5101	NA	TC5103	NA
P3P5110CA1N	NA	DCS 403								
F3F5115CA1L	NA	DCS 603	T5100	A6176 OR TW123	FS5101	FSW5111	TFS5101	TC5103	TC1602	
HF3B5115CA1L		DCS 403							NA	
P3P5115CA1L		DCS 403							NA	
HF3B5120CA1L		DCS 603							TC1602	
P3P5120CA1N		DCS 403							NA	
F3F5125CA1L		DCS 1003							TC1602	
HF3B5125CA1L		DCS 403							NA	
P3P5125CA1N		DCS 1003							TC1602	
F3F5130CA1L		DCS 1003							NA	
HF3B5130CA1L		DCS 403							TC1602	
P3P5130CA1N		DCS 403							NA	
F3F5140CA1L		NA							TC1602	
HF3B5140CA1L	DCS 403	NA								
P3P5140CA1N	DCS 603	TC1602								
F3F5150CA1L	NA	NA								
HF3B5150CA1L	DCS 1003	TC1602								
P3P5150CA1N		NA								

CONTROL ACCESSORY OPTIONS - FIELD INSTALLED IN HEATER			
UPC#	MODEL	DESCRIPTION	LIST
POWER DISCONNECT SWITCH			
717151	DCS202 / 5100	2 POLE; 20 AMP; 120-277 V.A.C.	141
717168	DCS403 / 5100	3 POLE; 40 AMP; 120-600 V.A.C.	319
717175	DCS603 / 5100	3 POLE; 60 AMP; 120-600 V.A.C.	465
717182	DCS1003 / 5100	3 POLE; 100 AMP; 120-600 V.A.C.	522
LINE VOLTAGE THERMOSTAT (45 - 90 °F)			
692779	T5100	SPST; LINE DUTY 25 AMP 120-277V	128
692786	T5102	DPST; LINE DUTY 25 AMP 120-277V	173
LOW VOLTAGE THERMOSTAT (ALL CA1 MODELS) (45 - 90 °F)			
692779	T5100	SPST; LOW VOLT/PILOT DUTY; 125VA; (3.3-20 KW UNITS)	128
692793	T5122	2-STAGE; LOW VOLT; 125VA; (25-50 KW UNITS)	189
STRATIFICATION THERMOSTAT			
692809	TC5102	SPST; LOW VOLT/PILOT DUTY (W/RELAY) ; 70-130°	194
692816	TC5103	SPST; LINE DUTY; AMP 120-240V; 70-130°	130
SUMMER FAN SWITCH			
692823	FS5101	SPST; LINE VOLT ;120-277V	73
692830	FS5102	SPST; LINE VOLT ; 480-600V	105

CONTROL ACCESSORIES - REMOTE WALL MOUNTED			
UPC#	MODEL	DESCRIPTION	LIST
LINE VOLTAGE THERMOSTAT			
502917	S2025H10AA	SP; 25 Amp; 120-277V; 50-90°F	53
538787	ET5SS	SP; 22 Amp; 120-277V; 50-90°F	29
691093	*TW1512	DPST; 25 AMP; 120-277V; 50-90°F	202
LOW VOLTAGE THERMOSTAT (ALL CA1 MODELS)			
260008	A6176	SPST; (3.3 - 20 KW UNITS); 50-90°F	108
691116	TW123	2-STAGE; (25 - 50 KW UNITS); 40-90°F	206
STRATIFICATION THERMOSTAT			
691109	TC1602	SPST; LINE VOLT; 120-277V; 70-140°	203
SUMMER FAN SWITCH			
692625	FSW5111	SPST; LINE VOLT; 120-277V	91
692632	FSW5112	SPST; LOW VOLT; (W/RELAY)	196
LOW VOLTAGE T' STAT & SUMMER FAN SWITCH(W/RELAY) (CA1 MODELS)			
692649	TFS5101	SPST; LOW VOLT; 50-90°	206
692656	TFS5102	2-STAGE; LOW VOLT; 50-90°	414

**Any SPST thermostat of sufficient amperage may be substituted.
*Use DPST thermostat for 3-phase line voltage control in non "C" models.

5100 Series 60 KW - 100 KW Suspended Fan Forced Unit Heater



Features & Specifications

CONSTRUCTION:

Heavy gauge steel cabinet with powder coated finish and control compartment housing a master terminal board. The control compartment allows for access through a hinged and latched door, simplifying wiring, installation, and maintenance. Made in U.S.A

HEATING ELEMENT:

The heating element is a copper clad steel sheath element with continuously brazed steel fins formed to allow side draw through air flow.

OVERHEAT PROTECTION:

All units come equipped with manual reset type limit controls to de-energize the heater should an over-temperature situation occur.

FAN & MOTOR:

Single speed, single phase permanently lubricated, thermally protected motors with ball bearings. The fan override purges the unit of residual heat at shutdown.

FIELD INSTALLED OPTIONS:

Summer fan switch to operate the fan only, and a heat stratification thermostat for high bay areas.

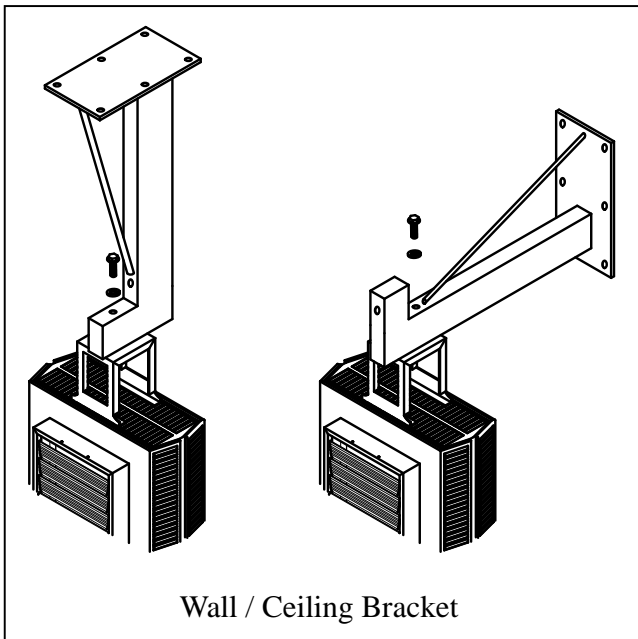
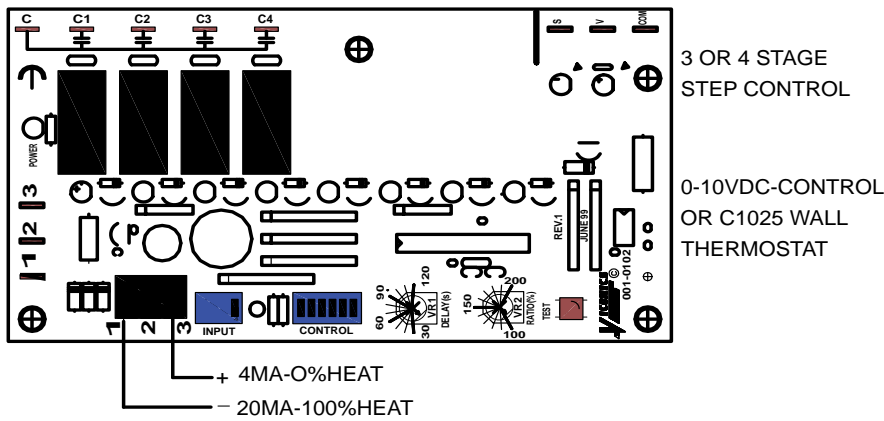
HEATER STAGING:

60 KW and 70 KW are three stage; 80 KW, 90 KW, & 100 KW are four stage.

SC5100 FACTORY INSTALLED ELECTRONIC STEP CONTROLLER:

The optional factory installed step controller is a first on last off sequencer that will cycle the unit heater stages through an optional wall thermostat. Additionally, the step controller can be controlled by any building management system with 4 to 20 MA or 0 - 10 VDC field supplied control signal.

Optional Factory Installed Electronic Step Controller



Wall / Ceiling Bracket

Dimensions

Dimensions (Inches)				WT. (LBS)
KW	H	W	D	
60-70	35 1/2	30 1/2	14 1/2	141
80-100	39 1/2	37 5/8	18 1/2	202

Mounting Brackets and Accessories

Mounting Brackets				
UPC#	Model	Heater KW	Description	LIST
7220002	A5175	60 To 70	Wall/Ceiling Bracket	191
7220102	A51100	80 to 100		199
7220302	B5175	60 to 70	Heater Bracket	87
7220402	B51100	80 to 100		107
7220202	V51100	60 to 100	Vertical Bracket	330
7220502	DS5175	60 to 70	Dust Shield	52
7220602	DS51100	80 to 100		60
7220902	OFG 5175	60 to 70	Fan Guard	82
7221002	OFG 51100	80 to 100		102

5100 Series 60 KW - 100 KW Suspended Fan Forced Unit Heater

Electrical Data

UPC# 686334	MODEL	KW	BTU/HR (x 1000)	VOLTS	PHASE	CONTROL VOLTAGE	AMPS / PHASE	BRANCH CIRCUIT PROTECTION SIZE	LIST
721349	F3F5160CA1	60	204.7	208	3	24	166.7	225	8380
721356	HF3B5160CA1	60/45	204.7/153.6	240/208			144.6/125	200/175	
721363	P3P5160CA1	60	204.7	480			72.3	100	
721424	F3F5170CA1	70	238.9	208	3	24	194.4	250	8735
721431	HF3B5170CA1	70/52.5	238.9/179.2	240/208			168.7/145.8	225/200	
721448	P3P5170CA1	70	238.9	480			84.3	110	
721707	HF3B5180CA1	80/60	273/204.7	240/208	3	24	192.8/166.7	250/225	10210
721714	P3P5180CA1	80	273	480			96.3	125	
721769	HF3B5190CA1	90/67.5	307.1/230.4	240/208	3	24	216.9/187.5	300/250	10622
721776	P3P5190CA1	90	307.1	480			108.4	150	
721820	HF3B51100CA1	100/75	341.3/256	240/208	3	24	241/208.3	350/300	11213
721837	P3P51100CA1	100	341.3	480			120.4	175	

Air Delivery Data

UPC# 686334	MODEL	CFM at OUTLET	FPM at OUTLET	TEMP RISE °F	HP	MOTOR RPM	AIR THROW	MAX MOUNTING	
								Horizontal	Vertical
721349	F3F5160CA1	3400	1485	60	1/3	1100	50'	18'	31'
721356	HF3B5160CA1			60/45					
721363	P3P5160CA1			60					
721424	F3F5170CA1			70					
721431	HF3B5170CA1			70/53					
721448	P3P5170CA1			70					
721707	HF3B5180CA1	5000	1529	55/41	3/4	1100	65'	22'	40'
721714	P3P5180CA1			55					
721769	HF3B5190CA1			61/46					
721776	P3P5190CA1			61					
721820	HF3B51100CA1			68/51					
721837	P3P51100CA1			68					

Recommended Control Options

UPC# 686334	MODEL	STEP CONTROLLER		THERMOSTAT		SUMMER FAN SWITCH				STRATIFICATION THERMOSTAT				
						Wall		Built-In		Wall		Built-In		
		MODEL	LIST	MODEL	LIST	MODEL	LIST	MODEL	LIST	MODEL	LIST	MODEL	LIST	
721349	F3F5160CA1	SC5100	687	C1025	200	FSW5112	196	FS5101	75	TFS5101	206	TC5102	190	
721356	HF3B5160CA1							FS5101						
721363	P3P5160CA1							FS5102						110
721424	F3F5170CA1							FS5101						75
721431	HF3B5170CA1							FS5101						75
721448	P3P5170CA1							FS5102						110
721707	HF3B5180CA1							FS5101						75
721714	P3P5180CA1							FS5102						110
721769	HF3B5190CA1							FS5101						75
721776	P3P5190CA1							FS5102						110
721820	HF3B51100CA1							FS5101						75
721837	P3P51100CA1							FS5102						110

Note: Products listed in this section are custom built and subject to 100% cancellation/restocking charges.

2600 Series Downflow Unit Heater

General Description & Diffuser Information

CONSTRUCTION:

- 16 gauge steel cabinet with epoxy powder coated finish and control compartment with a hinged and latched access door.
- OSHA guards standard with all models.
- Made in U.S.A

HEATING ELEMENT:

- Corrosion resistant element with steel sheath and steel spiral fins.

OVERHEAT PROTECTION:

- All units come equipped with manual reset limit controls to de-energize the heater should an over-temperature situation occur.

FAN and MOTOR:

- Totally enclosed, 1 speed, 1 phase permanently lubricated, thermally protected motors with unit bearings on 3KW - 20KW models. Totally enclosed, 2 speed, 1 phase permanently lubricated, thermally protected motors with sleeve bearings on 24KW - 50KW models.
- Axial flow fan blade - 1570 RPM max.
- All models equipped with fan purge which allows fan to operate after elements are de-energized to purge residual heat.

TEMPERATURE CONTROLS:

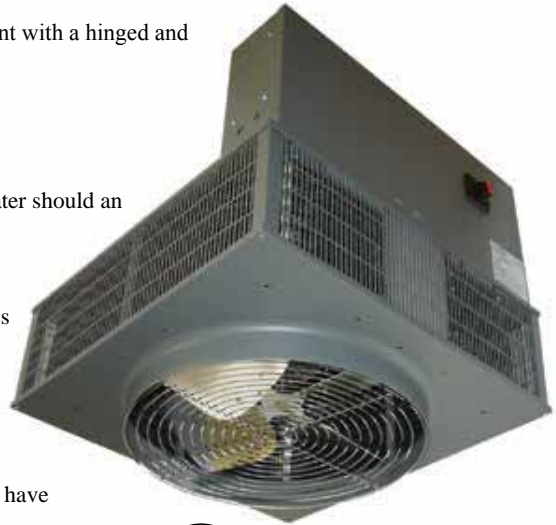
- 208V, 240V, 277V and 480V units have In-Built 24 Volt transformer for low voltage remote thermostat application.
- 600V units have In-Built 240V control on 5-20 KW models, 25-50 KW models have 24V control.
- 25 KW - 50 KW models may operate as 2 stage heaters if 2 stage remote thermostat is used.

DISCONNECT SWITCH:

- All models equipped with In-Built disconnect except F3F2640, F3F2650 and H3H2650.

INSTALLATION:

- Unit can be mounted using optional mounting bracket or field constructed angle iron bracket.
- Not recommended for mounting with threaded rod or chain.



2600 Series shown with standard wire guard. Diffusers are field installed.

Diffuser Descriptions	Standard Heater			Radial Louvered Cone Diffuser			Linear Louvered Diffuser			Anemostat Diffuser														
	<table border="1"> <thead> <tr> <th colspan="3">Dimensions**</th> </tr> <tr> <th>KW</th> <th>B</th> <th>A</th> </tr> </thead> <tbody> <tr> <td>5-20</td> <td>20 1/2"</td> <td>15"</td> </tr> <tr> <td>25-50</td> <td>27"</td> <td>21 1/2"</td> </tr> </tbody> </table>			Dimensions**			KW	B	A	5-20	20 1/2"	15"	25-50	27"	21 1/2"									
	Dimensions**																							
KW	B	A																						
5-20	20 1/2"	15"																						
25-50	27"	21 1/2"																						
<p>For general distribution. Choice of other diffusers may be added after installation if required.</p> <p>O.S.H.A guard for fan blade D1604 for 2605-2620, & D1614 for 2625-2650 Do not use with other diffusers.</p>			<p>With vanes vertical, straightens air for higher mounting. Closed position for broad horizontal coverage. Adjustable for intermediate requirements.</p>			<p>Affords more precise directional throw where heaters cannot be mounted directly over area to be heated or for heating long narrow areas.</p>			<p>Blends room air with heated air for widespread distribution without excessive drafts.</p>															
			VERTICAL			45 DEGREES OPEN																		
MODEL	MAX MOUNTING HEIGHT*	D (ft.)	MAX MOUNTING HEIGHT	D (ft.)	MAX MOUNTING HEIGHT	D (ft.)	MAX MOUNTING HEIGHT	W (ft.)	L (ft.)	MAX MOUNTING HEIGHT	D (ft.)													
2605	10	25	15	25	8	30	10	10	40	9	25													
2607	10	25	15	25	8	30	10	10	40	9	25													
2610	22	40	26	36	15	44	22	14	54	20	38													
2615	20	44	24	38	14	46	20	14	60	18	40													
2620	18	48	22	40	13	50	18	15	66	16	42													
2625	32	48	38	42	24	70	34	30	80	30	60													
2630	30	60	36	50	22	74	32	34	80	28	64													
2640	26	64	32	50	20	78	30	36	90	26	67													
2650	24	68	28	50	18	82	28	40	100	24	70													

*Minimum mounting height 6 feet.

**Dimensions are for all heater models without a diffuser option. Adding a diffuser will change the vertical ("A") dimension of heater. All mounting distances are in feet. All diagrams show optional mounting bracket.

2600 Series Downflow Unit Heater

Product Specifications

SPECIFICATIONS: The contractor shall furnish and install the 2600 Series electric vertical discharge unit heaters of the size, capacity and voltage specified. Heaters shall be installed according to the manufacturer's recommendations and applicable national and local codes.

ELEMENTS: Elements shall consist of Nickel Chromium alloy resistance wire embedded and completely surrounded in Magnesium Oxide, enclosed and swagged into corrosion resistant sheaths. Corrosion resistant steel fins shall be permanently attached to the sheaths to provide maximum heat transfer to the air stream.

MOTORS: Motors shall be single phase, resilient mounted, totally enclosed, industrial rated with an automatic reset thermal overload protective device. Motors on heaters up to 20 KW capacity shall be permanently lubricated shaded pole type. Over 20 KW, motors shall be permanent split capacitor type. Motors shall be mounted out of the main air stream in such a manner as to allow ambient air to be drawn over the motor to reduce motor temperature. Motor shall be separately removable from beneath the heater without removing the entire heater from mounting bracket.

FAN BLADES: Fan blades shall be heavy-duty individually balanced axial flow type. Fan speed shall not exceed 1570 RPM.

THERMAL OVERLOAD PROTECTION: All heaters shall be equipped with a manual reset thermal cutout which disconnects elements and motor in the event normal operating temperatures are exceeded.

WIRING: Heaters shall be designed for a single supply circuit with elements, motor and control circuits subdivided and fused to conform with the latest National Electric Code and OSHA requirements. All three phase heaters shall have balanced phases.

CONTROLS: Heaters shall be controlled by a low voltage wall mounted thermostat. All heaters 25 KW and larger shall be wired for 2 stage operation. 5 KW through 20 KW units are single stage. All heaters shall be equipped with a fan safety device that causes fan to operate after elements are de-energized to purge unit of residual heat.

Standard Models

UPC# 686334	MODEL	KW	BTU's	VOLTS	PH	AMPS	CONTROL VOLTS	TEMP RISE °F	CFM	WT (LBS)	LIST	
715751	F1F2605CA1	5	17065	208	1	24.03	24	34	490	75	1163	
715768	H1H2605CA1			240		20.83						
715775	G1G2605CA1			277		18.05						
715782	F3F2605CA1			208	3	13.89						
715799	H3H2605CA1			240		12.04						
715805	P3P2605CA1			480		6.02						
715812	U3H2605CA4			600		4.81						240
715829	F1F2607CA1	7.5	25598	208	1	36.05	24	45	560	75	1496	
715836	H1H2607CA1			240		31.25						
715843	G1G2607CA1			277		27.07						
715850	F3F2607CA1			208	3	20.84						
715867	H3H2607CA1			240		18.06						
715874	P3P2607CA1			480		9.03						
715881	U3H2607CA4			600		7.22						240
715898	F1F2610CA1	10	34130	208	1	48.07	24	26	1200	75	2048	
715904	H1H2610CA1			240		41.66						
715911	G1G2610CA1			277		36.1						
715928	F3F2610CA1			208	3	27.79						
715935	H3H2610CA1			240		24.08						
715942	P3P2610CA1			480		12.04						
715959	U3H2610CA4			600		9.63						240
715966	F3F2615CA1	15	51195	208	1	41.68	24	39	1200	75	2342	
715973	H3H2615CA1			240		36.12						
715980	P3P2615CA1			480		18.06						
715997	U3H2615CA4			600		14.45						240
716000	H3H2620CA1	19.4	68260	240	1	48.16	24	52	1200	75	2710	
716017	P3P2620CA1	20		480		24.08						3189
717502	U3H2620CA4	20		600		19.26						4111
717519	F3F2625CA1	25	85325	208	3	69.48	24	24	3300	175	3604	
717526	H3H2625CA1			240		60.21						
717533	P3P2625CA1			480		30.1						
717540	U3U2625CA1			600		24.08						4487
717557	F3F2630CA1	30	102390	208	1	83.37	24	29	3300	175	3935	
717564	H3H2630CA1			240		72.25						
717571	P3P2630CA1			480		36.12						
717588	U3U2630CA1			600		28.9						5594
717595	F3F2640CA1	40	136520	208	3	111.17	24	38	3300	175	5226	
717601	H3H2640CA1			240		96.33						
717618	P3P2640CA1			480		48.16						
717625	U3U2640CA1			600		38.53						6331
717632	F3F2650CA1	50	170650	208	1	138.96	24	48	3300	175	5961	
717649	H3H2650CA1			240		120.42						
717656	P3P2650CA1			480		60.21						
717663	U3U2650CA1			600		48.16						7067

2600 Series Downflow Unit Heater

Field Installed Accessories

UPC# 686334	MODEL	DESCRIPTION	LIST
692632	FSW5112	Summer Fan Switch	196
691109	TC1602	Wall Mounted Stratification Thermostat Range - 70 °F - 140 °F	190
717755	A1600	Ceiling Mount Bracket 5-20 KW Models	126
717762	A1601	Ceiling Mount Bracket 25-50 KW Models	141

UPC# 686334	MODEL	DESCRIPTION	LIST
717793	D1602	Linear Louvered Diffuser 5-20 KW Models	422
717809	D1612	Linear Louvered Diffuser 25-50 KW Models	628
717816	D1600	Radial Louvered Cone Diffuser 5-20 KW Models	467
717823	D1610	Radial Louvered Cone Diffuser 25-50 KW Models	545
717830	D1603	Anemostat Diffuser 5-20 KW Models	422
717847	D1613	Anemostat Diffuser 25-50 KW Models	628

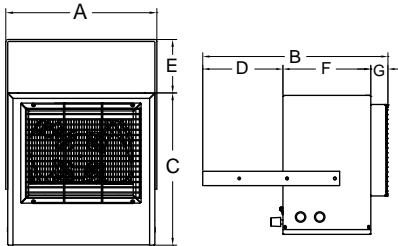
5700 Series Confined Space Plenum Rated Heater



Features

- Easily fits between joists for typical installation.
- Zero clearance for wall and ceiling mounting as well as floor mounting with appropriate inlet and outlet clearances.
- Bracket standard or can be mounted by 3/8" threaded rod (field supplied)
- Automatic reset thermal limit for safety
- 1 Phase model wattage field changeable from 1874 to 5000 Watts.
- 24V control circuit on three phase models with hydraulic thermostat
- Made in U.S.A
Conforms to ANSI/UL 1995
Certified to CAN/CSA C 22.2 No.236-11

Product Dimensions



A	B	C	D	E	F	G
14.4"	19.4"	14.5"	8.4"	5.1"	9.2"	1.8"

Standard Models

UPC# 686334	MODEL	WATTS	BTU's	VOLTS	PHASE	AMPS	TEMP RISE	AIR THROW	CFM	WT. (LBS)	LIST
726245	HF5705T	5000	17065	240	1	21	57 °F	16'	275	32	796
		4165	14215			17	48 °F				
		3332	11365			14	38 °F				
		2500	8533			10	29 °F				
	H3H5705T	3750	12798	208	1	18	43 °F	16'	275	32	
		3123	10659			15	36 °F				
		2500	8553			12	29 °F				
726252	H3H5705T	1874	6396	480	3	9	21 °F	16'	275	32	
		3750	12799			10.4	57 °F				375
726269	P3P5705T	5000	17065	240	3	12	57 °F	16'	275	32	857
707367	DCS-MT303	Optional Field Installed Disconnect Switch, 30 Amp @ 600Volts									67

5600 Series Multiple Wattage Fan Forced Unit Heater

Product Specifications

CASING & CONSTRUCTION:

Fabricated of die formed, heavy gauge steel and finished with two tone, brown and beige, durable powder coated paint. Supply air is drawn through the rear heavy duty expanded steel inlet grill. Heated air is discharged through front adjustable louvers, which are spring loaded for individual adjustment. Made in U.S.A.

ELEMENT: Heavy-duty block fin element design. The multiple tap electric connection design allows field conversion to eight wattage settings at 208/240-Volt single phase or 240/480 Volt, 3 phase. Units are available on special order with a specific wattage/voltage setting.

MOTOR: Motor shall be totally enclosed, permanently lubricated, all angle industrial rated with thermal overload protection.

WIRING: Wiring to terminal block adjacent to incoming knockout in accordance with NEC and local codes.

THERMAL OVERLOAD: All heaters shall be equipped with an automatic reset thermal cutout to shut down the element and motor circuits if unsafe operating temperatures are exceeded.

CONTROLS: The heater shall have a heavy-duty hydraulic thermostat factory installed and wired. All controls and wiring shall be in a large wiring compartment with hinged door for easy access. An optional disconnect switch shall be available for field installation.

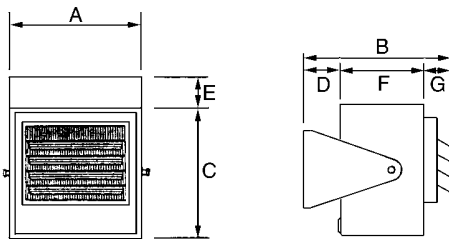
MOUNTING: Heaters are standard with a three position-mounting bracket for wall, ceiling or workbench. Heaters can be mounted for horizontal or vertical discharge. Note: Minimum mounting height is 6 feet, and minimum distance from side of heater to nearest wall is 6 inches. Note: Approved for residential applications.



Front view



Product Dimensions



A	B	C	D	E	F	G
14"	12-11/16"	14"	1-9/16"	1-9/16"	9"	2-3/4"

Standard Models

UPC#	MODEL	WATTS	BTU's	VOLTS	PHASE	AMPS	TEMP RISE	AIR THROW	CFM	WT. (LBS)	LIST
686334		5000	17065			21	57 °F				
		4165	14215			17	48 °F				
		3332	11365	240	1	14	38 °F	16'	275	32	
		2500	8533			10	29 °F				
707282	HF5605T	3750	12798			18	43 °F				796
		3123	10659			15	36 °F				
		2500	8553	208	1	12	29 °F	16'	275	32	
		1874	6396			9	21 °F				
707299	H3H5605T	3750	12799	208	3	10.4	57 °F	16'	375	32	
		5000	17065	240	3	12	57 °F	16'	275	32	857
707305	P3P5605T	5000	17065	480	3	6	57 °F	16'	275	32	
707367	DCS-MT303	Optional Field Installed Disconnect Switch, 30 Amp @ 600Volts									67
For 24V control on single phase models delete "T" suffix											154

6300 Series Multiple Angle Cabinet Unit Heater

Product Specifications



Intertek

The electric cabinet unit heater is designed for mounting in any position, fully recessed, semi-recessed or surface mounted. All capacities, voltages, physical sizes, grille arrangements and options shall be as specified on the plans. All units must be field convertible to the following:

1. For control by a field supplied remote thermostat.
2. Load management control with an external dry switch.
When closed unit operates under control of either the internal or the external thermostat. When open, unit turns off.
3. Any grille arrangement.

CABINET & CONSTRUCTION: The cabinet shall be constructed of heavy duty 16 gauge Zinc coated steel. The heater shall have a removable front door for easy access to the control panel, elements,

motor-blower assembly, filters and all internal components. The grill configuration must be easily field convertible to any air flow configuration (by removal of no more than four fasteners). The cabinet shall have a textured finish of two coats of powder coat epoxy and be suitable for use with optional kick space base. Made in U.S.A.

HEATING ELEMENTS: The heating elements shall be warranted for 1 year and shall be non-glowing design consisting of special high temperature resistance wire enclosed in an incoloy sheath to which steel fins are furnace brazed. The heating elements shall be located directly in front of the blower discharge air for uniform heating. They shall be mounted with a single anchor at one end to minimize effects of thermal expansion and contraction.

SAFETY CUTOFF: Thermal safety limits shall be built into the system to automatically shut off heater in event of overheating due to any cause. The safety cutoffs shall be of two types:

- A. The primary limit shall be an automatic capillary type to sense the heat along the full length of the heating elements. It shall de-energize the heaters by opening the coil circuit on the heating contactors.
- B. The secondary limit shall be a manual reset thermal device to interrupt power to the heating elements.

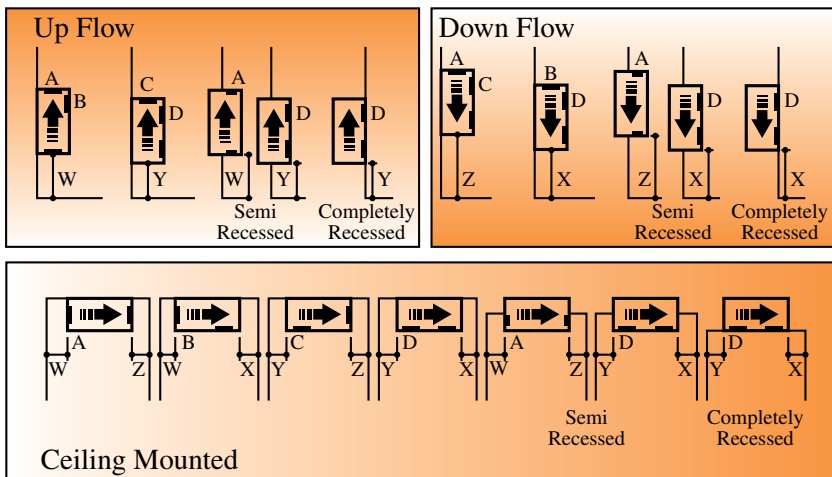
MOTOR AND BLOWER ASSEMBLY: The motors and blowers shall be direct drive and resiliently mounted on rigid heavy gauge frame for quiet operation and long life. The motor shall be two-speed, shaded pole type, rated for the voltage (480 to 600 Volts are single speed only). Each shall have built-in automatic reset overload protection and are life time lubricated. The motor shall be vented and mounted in the air stream to provide maximum cooling of the motor.

HIGH AND LOW HEAT RANGES: All units will be supplied as standard with a switch for selecting full heat at high fan speed or reduced heat at low fan speed (On 480 & 600 Volt units the switch changes the heat but not the fan speed).

OVER CURRENT PROTECTION: Circuit breakers shall be provided for branch circuit protection where required by NEC. Circuit breakers are optional on all other heaters.

TEMPERATURE CONTROL: Integral factory installed thermostat shall be tamper resistant, linear capillary type.

Mounting Configurations



NOTE: Semi-recessed units are to be recessed at a maximum of 3 1/2" unless grill configuration is front in and front out.

MOUNTING CLEARANCES: Proper clearances are indicated for each mounting configuration on all positions. Minimum clearance from side of unit to the wall is zero inches. Mounting inches are provided in the back of the cabinet, accessible through the blower compartment, if necessary, remove blower deck if additional mounting screws or bolts are desired. Blower deck may be slipped forward by loosening four screws at the front to provide access to mounting holes.

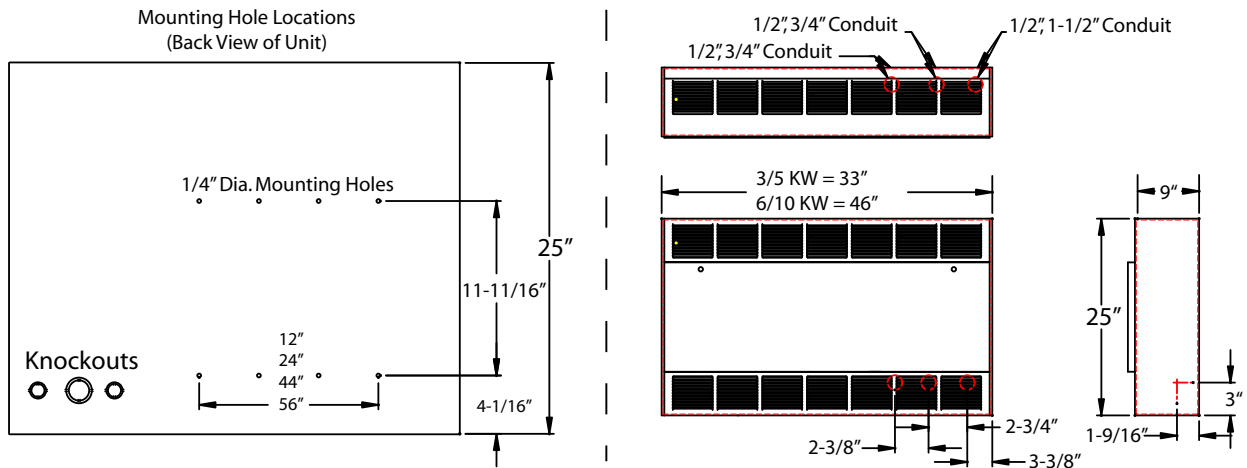
KEY: W = 6" minimum, X = 12" minimum, Y = 0" or greater, Z = 24" minimum

6300 Series Multiple Angle Cabinet Unit Heater

Product Features (2-24 KW; All Voltages)

- For commercial and institutional application such as stores, schools, offices, transportation terminals, churches, entrance ways.
- Wall or ceiling mount; surface, semi-recessed or fully recessed.
- (8) air inlet and outlet configurations.
- Capacities from 2-24 KW with 230 to 1,000 CFM
- Motors are two speed, shaded pole, resilient mounted, direct drive. High/low heat and blower speed offer versatility.
- ETL Listed.
- Beige powder coated finish
- Choice of eight standard control options include unit or wall mounted 120 or 24V thermostats, with or without built-in control transformers.
- Industrial type finned tubular elements.
- Easily removable fan and element decks for simplified maintenance.
- Full length thermal protection.
- Limited warranty-one year.

Product Dimensions



Stocked Models & Features

HEATER LENGTH	UPC# 686334	MODEL	HIGH				LOW				VOLTS	PHASE	WT. (LBS)	LIST
			KW	BTU's	AMPS	CFM	KW	BTU's	AMPS	CFM				
33"	667142	6333D052033B30D0F	5	17065	25.0 / 17.6	250	3	10239	15.4 / 9.2	230	208	1-3*	99	3199
	667159	6333D052433B30D0F			21.8 / 15.4				13.5 / 8.2		240	1-3*		
	667081	6333D054833B30D0F			7.8				4.6		480	3		
46"	667197	6346D102433B30D0F	10	34130	43.6 / 30.7	500	6	20478	26.9 / 16.2	460	240	1-3*	130	3608
	667203	6346D104833B30D0F			15.4				8.1		480	3		
International Models														
33"	473620	6333D053834B30D0F1	5	17065	7.6	250	3	10239	4.56	230	380	3 (4-Wire)	99	3199
	473637	6333D054134B30D0F1			6.97				4.18		415			
46"	473644	6346D103834B30D0F1	10	34130	15.2	500	6	20478	9.12	460	380		130	3608
	473651	6346D104134B30D0F1			13.94				8.36		415			

*Factory wired for 3-phase, field convertible to 1-phase.

- 1 / 3 phase field convertible with 24 Volt control circuit.
- Disconnect switch, dust filter, & high low operation.
- Built-in thermostat and field convertible for remote thermostat.

Accessories

UPC# 686334	MODEL	SIZE	DESCRIPTION	LIST
DUCT COLLAR				
441568	DC-33	33"	The same model is used for the inlet or outlet. If duct collars are required for both inlet & outlet then 2 must be ordered.	186
441575	DC-46	46"		226
441582	DC-66	66"		283
441599	DC-79	79"		345
RECESSING TRIM FRAMES				
453783	TF-33	33"	Recessing Trim Frames should be ordered to "trim-out" any recessed or semi-recessed installation.	168
453790	TF-46	46"		189
453806	TF-66	66"		236
453813	TF-79	79"		260

UPC# 686334	MODEL	SIZE	LIST
Fresh Air Make-Up Intake Flange & Kickbase			
771580	FAM33	33"	367
771597	FAM46	46"	423
771603	FAM66	66"	651
771610	FAM79	79"	716
Kickbase (Pedestal) ONLY			
771542	KB33	33"	146
771559	KB46	46"	155
771566	KB66	66"	187
771573	KB79	79"	204

6300 Series Multiple Angle Cabinet Unit Heater

Custom Specified Models

HOW TO DESIGNATE A MODEL:

63	46	D	08	24	1	2	B3	S	D	O	F
Series Number	Cabinet Size 33=33" 46=46" 66=66" 79=79"	Air Flow Configuration A = Bottom in / Top out B = Bottom in / Front out C = Front in / Top out D = Front in / Front out	Element KW 2KW through 24KW See model chart for length and KW options.	Element Voltage 20 = 208V 24 = 240V 27 = 277V 41 = 415V 48 = 480V 57 = 600V	Phase 1 = Single Phase 3 = Three Phase	Number of Wires in Electrical Service 2 or 3	Control Options B3, B4, B5, B6 (see control options chart)	Summer Fan Switch S = Included O = Not Included	Disconnect Option D = Disconnect Switch O = None	Motor Fusing Option M = Required O = Not Required	Disposable Filter Option F = Required O = Not Required
Step 1	Step 2	Step 3	Step 4	Step 5	Step 6	Step 7	Step 8	Step 9	Step 10	Step 11	Step 12

LENGTH	KW		Elements per Heat Deck		CFM		1-PHASE UNITS - AMPS (HIGH)				3-PHASE UNITS - AMPS (HIGH)			LIST	
	High	Low	Left	Right	High	Low	208V	240V	277V	600V	208V	240V	480V		600V
													3-WIRE		
33"	2	1	2		250	230	10.6	9.3	8.12	3.8	9.2	8.1	4.1	3.3	2590
	3	2	3				15.4	13.5	11.7	5.5	9.2	8.1	4.1	3.4	2667
	4	2	4				20.2	16.7	15.3	7.2	13.4	11.8	6	6.22	2773
	5	3	5				25	21.8	19	8	17.6	15.4	7.8	5.5	2899
	6	3	6				29.9	26	22.6	10.5	17.6	15.4	7.8	6.3	3024
46"	4	2	2		500	460	21.1	18.6	16	7.46	18.7	16.2	8.1	6.5	2951
	6	4	3				30.8	26.9	23.1	10.79	18.4	16.2	8.1	6.5	3083
	8	4	4				40.4	35.2	30.5	14.12	26.7	23.4	11.7	9.4	3225
	10	6	5				50	43.6	37.7	17.5	35.1	30.7	15.4	12.3	3356
	12	6	6				59.6	51.9	44.9	20.8	35.1	30.7	15.4	12.3	3425
66"	6	3	2	2	750	690	31.8	27.9	24.1	11.3	27.6	24.3	12.3	9.8	3752
	9	6	3	3			46.2	40.4	35	16.3	27.6	24.3	12.3	9.9	3905
	12	6	4	4			60.6	52.9	45.8	21.3	40.1	35.2	17.7	15.6	4057
	15	9	5	5			75	65.4	56.7	25.5	52.6	46.1	23.1	15.7	4198
	18	9	6	6			89.4	77.9	67.5	31.3	52.6	46.1	23.1	18.5	4349
79"	8	4	2	2	1000	920	42.3	37.1	32	14.9	36.7	32.3	16.2	13	4198
	12	8	3	3			61.5	53.8	46.5	21.6	36.7	32.3	16.2	13	4289
	16	8	4	4			80.7	70.5	61	28.2	53.4	46.8	23.5	18.8	4453
	20	12	5	5			NA	87.1	75.4	34.9	70.1	61.4	30.7	24.6	4524
	24	12	6	6			NA	NA	89.8	41.6	70.1	61.4	30.7	24.6	4606

Note: Amps include motor Amp loads. Note: Please see page 60 for custom color availability - add 10% to net heater cost.
 Note: Products listed in this section are custom built and subject to 100% cancellation/restocking charges.

6300 Series Multiple Angle Cabinet Unit Heater

Control Option (Step 8 on Model Designator)

SUFFIX	DESCRIPTION	LIST
B3	In-Built 1-Stage Stat and Relays which are operated by an internal 24 Volt source.	83
B4*	In-Built 1-Stage Stat and Relays which are operated by an internal 120 Volt source.	340
B5	In-Built 2-Stage Stat & Relays which are operated by an internal 24 Volt source.	83
B6*	In-Built 2-Stage Stat and Relays which are operated by an internal 120 Volt source.	340

*Motor fusing included for units with 120V internal or external control source.

Disconnect Option "C" Circuit Breaker (Step 10 on Model Designator)

KW	SINGLE PHASE				THREE PHASE			
	208V	240V	277V	600V	208V	340V	480V	600V
2	252	252	319	936	425	417	867	936
3	252	252	319	936	425	417	867	936
4	252	252	319	936	425	417	867	936
5	252	252	319	936	425	417	867	936
6	252	252	319	936	425	417	867	936
8	252	252	319	936	425	417	867	936
10	501	501	319	936	501	501	867	936
12	501	501	319	936	501	501	867	936
15	501	501	501	936	841	602	867	936
16	501	501	501	936	841	602	867	936
18	501	501	501	936	841	602	867	936
20	N/A	501	501	936	841	777	867	936
24	N/A	N/A	501	936	841	777	867	936

Circuit breakers shown in shaded areas are required by NEC because unit exceeds 48 Amps, all others listed are optional unless otherwise stated.

Disconnect Option "D" Disconnect Switch (Step 10 on Model Designator)

KW	SINGLE PHASE				THREE PHASE			
	208V	240V	277V	600V	208V	340V	480V	600V
2	195	195	195	250	250	250	240	250
3	195	195	195	250	250	250	240	250
4	195	195	195	250	250	250	240	250
5	195	195	195	250	250	250	240	250
6	240	195	195	250	250	250	240	250
8	270	240	240	250	250	250	240	250
10	N/A	313	240	250	282	250	240	250
12	N/A	N/A	313	250	282	285	240	250
15	N/A	N/A	N/A	250	N/A	285	240	250
16	N/A	N/A	N/A	250	N/A	391	240	250
18	N/A	N/A	N/A	250	N/A	391	240	250
20	N/A	N/A	N/A	250	N/A	N/A	313	250
24	N/A	N/A	N/A	250	N/A	N/A	313	250

Disconnect option is not available on heaters with circuit breakers.

Fan Switch & Motor Fusing (Step 11 on Model Designator)

SUFFIX	DESCRIPTION	ADDER
S	Summer Fan Switch	51
M	Motor Fusing (when not provided by control option)	94

Filter Option (Step 12 on Model Designator)

SUFFIX	SIZE	Qty. REQ'D	FILTER TYPE	LIST
F	33"	1	Replaceable	24
	46"	1		28
	66"	2		49
	79"	2		55
W	33"	1	Washable	62
	46"	1		63
	66"	2		415
	79"	2		661

8500 Series Commercial Slope Top Wall Convector



- Front In/Top Out or Bottom In/Top Out air pattern.
- 16 gauge steel housing powder coated with beige finish.
- Tubular pre-wired wireway with 40 Amp capacity.
- Connection boxes for right or left hand wiring with combination 1/2" - 3/4" knockouts at back and bottom.
- Stainless steel element with Aluminum fins.
- Linear limit type thermal overload with automatic reset.
- Limited by max amp draw of 25 Amps (with no controls).
- Made in U.S.A.

HOW TO DESIGNATE A MODEL:

85	2	5	125	H	B	DST1
Series Number	Cabinet Size 3=20"H x 5"D 1=10"H x 3"D 2=14"H x 5"D	Unit Length (feet) 2, 3, 4, 5, 6, 7, 8, 9, 0 (enter 0 for 10')	Watts per Foot Selectable in 1 watt increments up to max per model series 8510=250 max 8520=500 max 8530=750 max	Voltage H=240V E=120V F=208V G=277V	Air Flow B=Bottom in F=Front in	Factory Installed Options blank=none T1 or T2=Thermostat R1, R2, or R9=Relay DS=Disconnect (see control option chart)
Step 1	Step 2	Step 3	Step 4	Step 5	Step 6	Step 7

- Pencil proof louver design.
 - Custom colors available, consult factory.
- Note: Not for residential applications.
Note: Disconnect limits amperage to 20 Amps.

Standard Models

HEATER LENGTH	WATTS per FOOT	8510 SERIES		8520 SERIES		8530 SERIES	
		3" Depth x 10" Height Max watts per foot = 250		5" Depth x 14" Height Max watts per foot = 500		5" Depth x 20" Height Max watts per foot = 750	
		MODEL	LIST	MODEL	LIST	MODEL	LIST
2'	100-250	8512	532	8522	582	8532	709
	333-750		N/A		645		779
3'	100-250	8513	610	8523	672	8533	811
	333-750		N/A		739		892
4'	100-250	8514	704	8524	776	8534	935
	333-750		N/A		844		1032
5'	100-250	8515	776	8525	852	8535	1032
	333-750		N/A		936		1133
6'	100-250	8516	850	8526	934	8536	1133
	333-750		N/A		1029		1245
7'	100-250	8517	934	8527	1028	8537	1245
	333-750		N/A		1131		1370
8'	100-250	8518	1028	8528	1131	8538	1370
	333-750		N/A		1245		1507
9'	100-250	8519	1131	8529	1245	8539	1507
	333-750		N/A		1369		1654
10'	100-250	8510	1245	8520	1369	8530	1654
	333-750		N/A		1504		1818

Note: All models qualify for international use

Note: Products listed in this section are custom built and subject to 100% cancellation/restocking charges.

8500 Series Commercial Slope Top Wall Convector

Product Specifications

CABINET:

Rugged 16 gauge front cover with discharge louvers in sloped top design. Pencil proof louver design for sloped outlet and front inlet grill. The finish shall be durable powder coated paint. Air flow available as bottom in - top out, or front in - top out.

ELEMENT:

All steel high mass element construction with Nickel-Chromium resistance wire embedded in compacted efficient dielectric to ensure proper heat transfer. Aluminum fins mechanically bonded to steel tube allows for increased surface area and even heat transfer.

LIMIT CONTROLS:

Automatic reset hydraulic thermal overload covers full length of heating element and shuts down heater when safe operating temperatures are exceeded.

WIRING:

Connection boxes in either end with 1/2 inch to 3/4 inch knockouts at back and bottom. Tubular prewired wire way with 40 Amp capacity.

CONTROLS:

Optional built in tamper resistant thermostat and disconnect.

MOUNTING:

Heater shall be surface mounted to wall or mullion. Bottom inlet units must be mounted a minimum of 4 inches above finished floor front inlet.

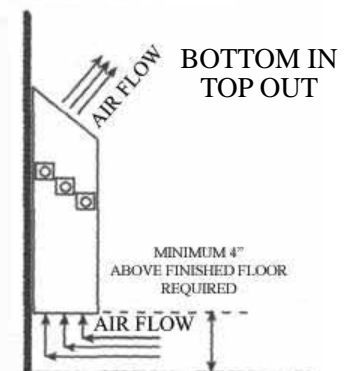
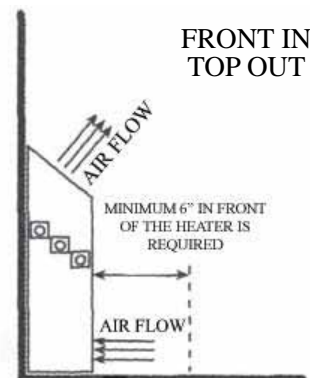
Voltage & Wattage Specification

Voltage	Standard Wattages Per Foot	Heater Lengths
120-277	100,125,150,165,187,200,250	2' through 10'

In-Built Control Options

SUFFIX	DESCRIPTION	LIST
T1	In-Built Tamper Proof, Single Pole, Bimetal Thermostat (0°-110°F temp. range, 25 Amp)	108
T2	In-Built Tamper Proof, Double Pole, Bimetal Thermostat (0°-110°F temp. range, 25 Amp)	139
DS	Double Pole Disconnect Switch, 20 Amp	158

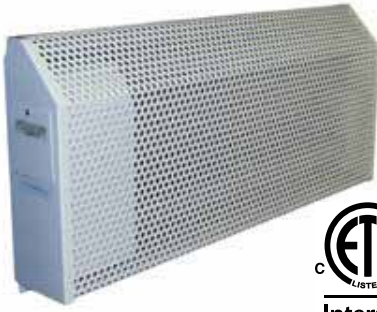
Mounting/Air Flow Options



Note: Due to size limitations, 8510 series convectors can only have thermostats as In-Built control options.

SUFFIX	DESCRIPTION	LIST
R1	DPST Relay, 30 Amps, up to 277V, 120V coil	153
R2	SPST Relay, 18 Amps @ 277V (max), 24V coil	153
R9	24V Transformer and SPST Relay 22 Amps @ 240V, 18 Amps @ 277V (max), 24V coil (cannot be used in conjunction with T2 option)	167

8800 Series Institutional Wall Convectors



- Single phase heaters available in all common voltages from 120V to 600V.
 - 11 gauge perforated steel housing powder coated with textured ivory finish.
 - Tamper proof left side control panel houses built-in single pole thermostat - range 40°F-110°F and disconnect switch. Thermostat on 120V-277V units is line voltage and low voltage (24V) on 346V-600V units.
 - Linear limit type thermal overload with automatic reset.
 - Tamper proof fasteners
 - Stainless steel element with Aluminum fins.
 - Made in U.S.A.
- Note: Not for residential applications.

Standard Models

UPC# 686334	MODEL	WATTS	BTU'S	VOLTS	AMPS	LENGTH (IN.)	LIST
899000	E8801050	500	1706	120	4.167	18	2403
899062	F8801050			208	2.404		
899123	H8801050			240	2.083		
899185	G8801050			277	1.805		
899246	L8801050			346	1.445		
899307	P8801050			480	1.042		
899369	U8801050			600	0.833		
899017	E8802075	750	2560	120	6.25	28	2737
899079	F8802075			208	3.606		
899130	H8802075			240	3.125		
899192	G8802075			277	2.708		
899253	L8802075			346	2.168		
899314	P8802075			480	1.563		
899376	U8802075			600	1.25		
899024	E8803100	1000	3413	120	8.333	36	3060
899086	F8803100			208	4.808		
899147	H8803100			240	4.167		
899208	G8803100			277	3.610		
899260	L8803100			346	2.890		
899321	P8803100			480	2.083		
899383	U8803100			600	1.667		
899031	E8804125	1250	4266	120	10.417	48	3438
899093	F8804125			208	6.010		
899154	H8804125			240	5.208		
899215	G8804125			277	4.513		
899277	L8804125			346	3.613		
899338	P8804125			480	2.604		
899390	U8804125			600	2.083		
899048	E8805150	1500	5120	120	12.5	60	3727
899109	F8805150			208	7.212		
899161	H8805150			240	6.25		
899222	G8805150			277	5.415		
899284	L8805150			346	4.335		
899345	P8805150			480	3.125		
899406	U8805150			600	2.5		
899055	E8806200	2000	6826	120	16.667	72	4138
899116	F8806200			208	9.615		
899178	H8806200			240	8.333		
899239	G8806200			277	7.220		
899291	L8806200			346	5.780		
899352	P8806200			480	4.167		
899413	U8806200			600	3.333		

International Models

UPC# 686334	MODEL	WATTS	BTU'S	VOLTS	AMPS	LENGTH (IN.)	LIST
984140	M8801050i	500	1706	220	2.3	18	2403
984157	H8801050i			240	2.1		
984164	M8802075i	750	2560	220	3.4	28	2737
984171	H8802075i			240	3.1		
984188	M8803100i	1000	3413	220	4.5	36	3060
984195	H8803100i			240	4.2		
984201	M8804125i	1250	4266	220	5.7	48	3438
984218	H8804125i			240	5.2		
984225	M8805150i	1500	5120	220	6.8	60	3727
984232	H8805150i			240	6.3		
984249	M8806200i	2000	6826	220	9.1	72	4138
984250	H8806200i			240	8.3		

8800 Series Institutional Wall Convectors

Product Specifications

CABINET:

Institutional enclosure 11 gauge perforated steel with sloped top design. Heavy duty end caps welded to the enclosure. Control compartment for housing thermostat and disconnect switch is accessible by use of security type fastener. The entire enclosure is protected by epoxy powder coated paint finish.

ELEMENT:

All steel high mass element construction with Nickel-Chromium resistance wire embedded in compacted efficient dielectric to ensure proper heat transfer. Aluminum fins mechanically bonded to steel tube allows for increased surface area and even heat transfer.

LIMIT CONTROLS:

Automatic reset hydraulic thermal overload covers full length of heating element and shuts down heater when safe operating temperatures are exceeded.

WIRING:

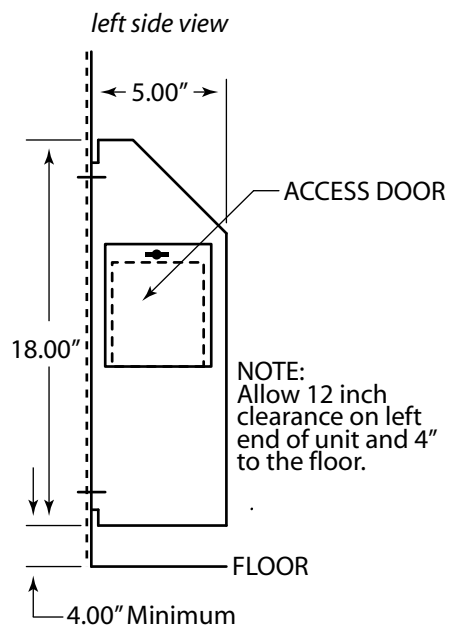
Wiring connections shall be made in left end of cabinet enclosure. Wiring must enter into control enclosure behind perforated steel grill.

CONTROLS:

All controls are accessible only through control enclosure door. Security type fasteners restrict access to controls. Built in thermostat and disconnect switch with manual adjustment are located in control enclosure.

HOW TO DESIGNATE A MODEL:

H	880	3	100
Element Voltage E=120 F=208 G=277 H=240 L=346 P=480 U=600	Series Number	Unit Length 1=18" 2=28" 3=36" 4=48" 5=60" 6=72"	Unit Wattage 050=500 075=750 100=1000 125=1250 150=1500 200=2000

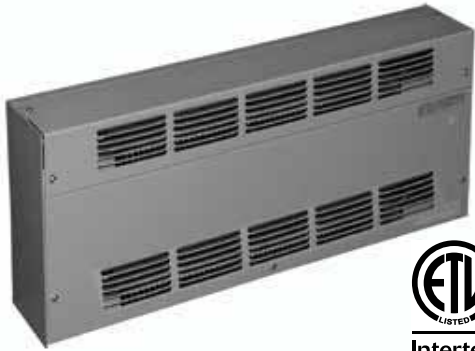


Optional In-Built Controls

SUFFIX	DESCRIPTION	LIST
T2	Tamperproof, Hydraulic, Double pole In-Built thermostat range 40°-110°F, 25 Amp	141
24V*	24 Volt In-Built single pole thermostat for 120V 208V, 240V & 277V models.	171

*Not available on international models

4100 Series Recessed Commercial Wall Convectors



- Front In / Front Out air pattern
- 16 gauge steel housing powder coated with textured beige finish.
- Tubular pre-wired wireway with 40 Amp capacity.
- Connection boxes for right or left hand wiring with combination 1/2"-3/4" knockouts at back and bottom.
- Steel heating element with steel fins.
- Linear limit thermal overload with automatic reset.
- Made in U.S.A.

HOW TO DESIGNATE A MODEL:

M41	25	F	48	1000	T
<u>Series Number</u>	<u>Cabinet Size</u> 45=20"H x 5"D 25=11"H x 4"D	<u>Voltage/Phase</u> G=277V, 1 Phase J=208V, 3 Phase H=240V, 1 Phase K=240V, 3 Phase	<u>Unit Length (Inches)</u> 24, 36, 48, 60, or 72	<u>Total Wattage</u>	<u>Control Option</u> Blank=None R, R2, or R9=Relay T or T2=Thermostat (See control option chart)

- Recess trim frame included.
 - Custom colors available, consult factory.
- Note: Not for residential applications.

M4125 Dimensions - Cabinet Sizes 4" Deep x 11" High

LENGTH (IN.)	WT. (LBS)	WATTS per FOOT AVAILABLE	VOLTS AVAILABLE	PH	LIST
24	20	187 250 333	208 240 277	1	730
36	33				843
48	39				978
60	49				1110
72	56				1234

M4145 Dimensions - Cabinet Sizes 5" Deep x 20" High

LENGTH (IN.)	WT. (LBS)	WATTS per FOOT AVAILABLE	VOLTS AVAILABLE	PH	LIST
24	45	187 250 333	208 240 277	1	786
36	53				957
48	63				1160
60	77				1410
72	92				1696
24	47	500 666	208 240 277	1	799
36	57				1027
48	67				1254
60	82				1518
72	100				1845
24	49	500 666 750	208 240	3	900
36	60				1105
48	71				1346
60	87				1639
72	106				1977

Note: Products listed in this section are custom built and subject to 100% cancellation/restocking charges.

Note: Please see page 60 for custom color availability - add 10% to net heater cost.

4100 Series Recessed Commercial Wall Convectector

CABINET:

4100 series casing shall be of square design with front inlet and outlet grills suitable for recess installation. The cabinet is fabricated from 16 gauge cold rolled steel and finished with powder coated baked enamel. Junction boxes are available for left or right wiring and connected by pre-wired 40 Amp capacity wireway.

ELEMENT:

All steel high mass element construction with Nickel-Chromium resistance wire embedded in compacted efficient dielectric to ensure proper heat transfer. Aluminum fins mechanically bonded to steel tube allows for increased surface area and even heat transfer.

LIMIT CONTROLS:

Automatic reset hydraulic thermal overload covers full length of heating element and shuts down heater when safe operating temperatures are exceeded.

WIRING:

Wiring connections shall be made in left end of cabinet enclosure. Wiring must enter into control enclosure behind perforated steel grill.

CONTROLS:

All controls are accessible only through control enclosure door. Security type fasteners restrict access to controls. Built in thermostat with manual adjustment are located in control enclosure.

In-Built Control Options for Single Phase Units

SUFFIX	DESCRIPTION	LIST
T	In-Built Tamper Proof, Single Pole, Hydraulic Thermostat - 40°-110°F temp. range, 25 Amps	112
T2	In-Built Tamper Proof, Double Pole, Hydraulic Thermostat - 40°-110°F temp. range, 25 Amps	138
R	DPST Relay, 30 Amps, up to 277V, 120V coil	146
R2	SPST Relay, 18 Amps @ 277V (max), 24V coil	155
R9	24V Transformer and SPST Relay, 22 Amps @24V, 18 Amps @ 277V (max), 24V coil	184

Note: No In-Built control options for 3 phase models.

12" Control Section

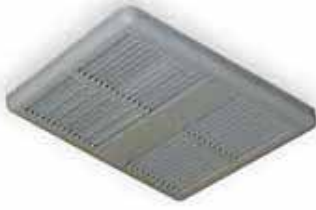
UNIT LENGTH	MODEL 4125	LIST	MODEL 4145	LIST
12"	MSE4120-12	84	MSE4140-12	138

Note: Control section required when relay is ordered.

Solid Back Panel

UNIT LENGTH	MODEL 4125	LIST	MODEL 4145	LIST
24"	MS4122	68	MS4142	110
36"	MS4123	89	MS4143	121
48"	MS4124	116	MS4144	185
60"	MS4125	141	MS4145	230
72"	MS4126	164	MS4146	267

3000 Series Fan Forced Ceiling Heater



Standard Models

WHITE		SELECTABLE INSTALLATION WATTAGE	MAX BTU'S	VOLTS	MAX AMPS	LIST
UPC# 686334	MODEL					
948821	E3035DWBW	750 or 1500	5120	120	13	262
948838	E3038DWBW	900 or 1800	6143	120	15	
948883	H3032DWBW	750 or 1000 - 1500 or 2000	6826	208 / 240	8	
948906	G3032DWBW	2000	6826	277	7	

Selectable Wattages, Back Cans, And Power Disconnects

- Wattage selectable at time of installation - models shipped wired to highest Wattage
- Fan purge circuit (has 2 wire control circuit for use with remote wall thermostat)
- Models may not be used with remote double pole thermostat
- Drywall depth embossments on back can
- Powder coated 18 gauge steel front
- Manual reset thermal limit
- Steel block fin element
- Propeller style fan blade - 1060 RPM / 100 CFM
- Weight 6 lbs.
- Optional field installed control voltage relays available
- Rough in dimensions - 9 1/4" Wide - 12 1/8" High - 3 5/8" Deep
- Grill dimensions: 9 25/32" Wide - 13" High
- Made in U.S.A.

Field Installed Accessories

UPC#	MODEL	DESCRIPTION	LIST
686334			
996846	30R	24 VOLT RELAY	37
996853	30R2	120 VOLT RELAY	
951500	30R8	208/240 VOLT RELAY	39
951494	30R7	277 VOLT RELAY	
996976	303EX8RW	1" EXTENDER	41
996969	303EX16RW	2" EXTENDER	42
996952	303EX32RW	4" SURFACE MOUNT FRAME	49
460033	TB3000	T-BAR FRAME	61

3380 Series Commercial Fan Forced Ceiling Heater

Product Specifications

The heaters are be constructed of a heavy gauge steel housing. The rough-in dimensions are 19-3/16" wide x 4" deep. The finish shall be baked-on powder coat in Ceiling White color. The units shall be available in ratings from 1500 through 4800 Watts with an optional factory installed single pole thermostat.

The heaters have a low speed 600-RPM motor, which drives a vane axial blower to deliver a quite 175 CFM's of down flow air. The heating element shall be of the block finned type with large, parallel steel fins for quick heat transfer. Unit shall have as standard, a manual reset capillary type limit control, for added safety. Unit weight 22 pounds.



Features & Standard Models

Recess, Surface, Or "T" Bar Mounting

- Fan purge circuit (has 2 wire control circuit for use with remote wall thermostat)
- Disconnect switch
- White powder coated 18 gauge steel grill
- Manual reset thermal limit
- Steel block fin element
- Vane axial fan blade:
1.5KW - 4.0KW units: 700 RPM motor; 175 CFM
4.8KW units: 900 RPM motor; 200 CFM
- Rough in dimensions:
14 3/16" wide x 19 5/16" high x 4" deep
- Grill dimensions:
15 3/8" wide x 20 9/64" high
- Optional factory installed tamper resistant thermostat
- Made in U.S.A.

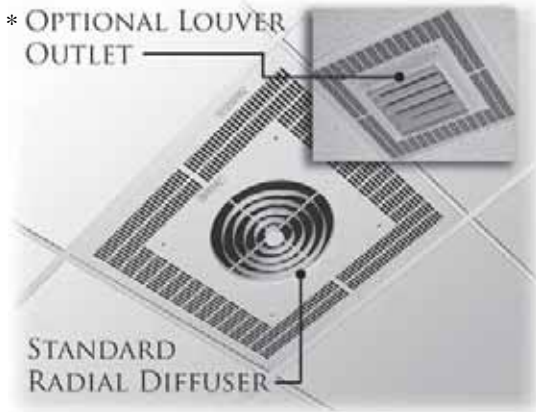


UPC# 686334	MODEL	KW	BTU'S	VOLTS	PH	AMPS	TEMP RISE	LIST	
366489	E3383D-RP	1.5	5120	120	1	12.5	27 °F	607	
366298	F3386D-RP	4.0	13600	208		19.2	72 °F	636	
366304	F3387D-RP	4.8	16382	208		23.1	76 °F	717	
366342	HF3384D-RP	2.0 / 1.5	6826/5120	240/208		8.3/7.2	36 °F	559	
366359	HF3385D-RP	3.0 / 2.3	10200/7679	240/208		12.5/10.8	54 °F	636	
366366	HF3386D-RP	4.0 / 3.0	13600/10200	240/208		16.8/14.4	72 °F		
366373	H3387D-RP	4.8	16382	240		20	76 °F	717	
366502	G3383D-RP	1.5	5120	277		5.4	27 °F	607	
366410	G3384D-RP	2.0	6826	277		7.2	36 °F	636	
366427	G3385D-RP	3.0	10200	277		10.8	54 °F	718	
366434	G3386D-RP	4.0	13600	277		14.4	72 °F		
366441	G3387D-RP	4.8	16382	277		17.3	76 °F	797	
International Models									
470889	M3384D-RPi	1680	5734	220		1	7.6	30 °F	607
470896	M3385D-RPi	2520	8600		11.5		50 °F	638	
470902	M3386D-RPi	4032	13761		18.3		72 °F	718	

Accessories

UPC# 686334	MODEL	DESCRIPTION	WT. (LBS)	LIST
377850	BOX3310	Additional Back Can	10	104
381109	3380EX33	Surface Mounting Adapter	1	91
460026	TB3380	2X2 T-Bar Mounting Kit	7	61
Thermostat- Add suffix T to model		Factory installed single pole, positive off. Range-60° F-105° F		117

3480 Series Commercial Fan Forced Recessed Mounted Ceiling Heater



Features

- White powder coated 20 gauge grill.
- 208V, 240V, & 277V units have manual reset thermal limit.
- 480V units have manual reset thermal limit, 24V control transformer, and 24V relay (A1 suffix).
- Enclosed steel fin sheath element.
- Rough in dimensions: 23-1/16" sq. x 9-1/8" deep.
- Made in U.S.A.



Standard Models

UPC#	MODEL	KW	BTU'S	VOLTS	PH	AMPS	TEMP RISE	LIST
367653	F3482	2	6826	208	1	9.6	15 °F	1375
367677	H3482			240		8.3		
367660	G3482			277		7.2		
318471	P3482A1	2	6826	480	3	4.2	15 °F	1504
470186	J3482			208		5.6		
470209	K3482			240		4.8		
470247	Y3482A1	3	10200	480	1	2.4	22 °F	1604
367684	F3483			208		14.4		
367707	H3483			240		12.5		
367691	G3483	3	10200	277	1	10.8	22 °F	1391
318488	P3483A1			480		6.3		
470193	J3483			208		8.3		
470216	K3483	3	10200	240	3	7.2	22 °F	1492
470254	Y3483A1			480		3.6		
367714	F3484			208		19.2		
367738	H3484	4	13600	240	1	16.8	30 °F	1407
367721	G3484			277		14.4		
318501	P3484A1			480		8.3		
367745	J3484	4	13600	208	3	11.1	30 °F	1535
367752	K3484			240		9.7		
318587	Y3484A1			480		4.8		
367769	F3485	5	17000	208	1	24.1	37 °F	1578
367783	H3485			240		20.8		
367776	G3485			277		18.1		
318549	P3485A1	5	17000	480	1	10.4	37 °F	1715
367790	J3485			208		13.9		
367806	K3485			240		12.1		
318402	Y3485A1	5	17000	480	3	6.1	37 °F	1808
366106	PT3480			480		6.1		

Notes

Optional controls must be factory installed. Field installation is not acceptable and violates Listing and factory warranty.

Wall mounted control panels may control multiple units but cannot be used if in-built controls are selected.

480V units include 24V transformer and relay as standard (A1) - only TS option control section can be added. Depth dimension of all 480V models is 10-7/8"

Degree F air rise is measured at 710 F.P.M. and 425 CFM. Throw designed for 8 to 12 foot ceilings. db RE 10⁻¹² Watt=63.9

Unit Weight: 50 lbs.

Recommended Remote Thermostats:
 Line Voltage: Single Phase 208-240V ET5DS
 Single Phase 277V ET5SS
 Three Phase TW1512

Low Voltage: UT1001

Product Specifications

Contractor shall supply and install heavy duty ceiling mounted forced air electric heater(s) of the wattage, voltage and phase as indicated on the plans. The heater shall be so designed to provide an even distribution of heated air to the space to be heated by drawing return air in the periphery of the heater, across and through the element and be discharged from the center section of the heater by means of an electric motor and axial flow fan blade.

Heaters shall be recessed type and mounted flush with the finished ceiling. The return grille assembly shall be constructed of a one piece heavy gauge steel with 1/4" slots for return air and concentric rings for uniform air discharge. Grille assembly shall be attached to chassis by tamper-resistant (allen head) machine screws. All parts of enclosure shall be heavy gauge steel, zinc coated both sides and finished in neutral off white powder coat paint.

Enclosure shall be constructed of 1/6" x 3/8" rounded edge horizontal steel louvers which shall be spaced for maximum opening of 5/16". Louvers shall be welded at every intersection to evenly spaced 1/8" diameter vertical members. Discharge grille to have concentric rings for uniform air discharge. Grille assembly shall be attached to chassis by tamper-resistant (allen head) machine screws. All part of enclosure shall be heavy gauge steel, Zinc coated both sides and finished in neutral off white colored powder coat finish.

Motor shall be permanent lubricated, unit bearing, totally enclosed, impedance protection. Motors shall operate at no more than 1300 RPM and shall be same voltage as the heater.

Heaters shall have a rating of 425 CFM at 710 F.P.M. with a maximum temperature rise of 44°F and 63.9 DB RE 10¹² Watt.

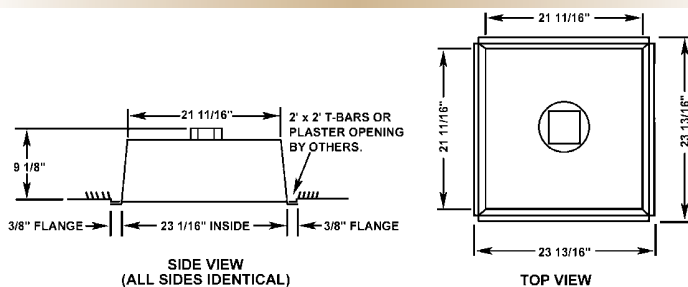
Element assemblies shall consist of two or three corrosion resistant steel sheathed type elements mechanically bonded to common corrosion resistant steel fins. Each sheathed element consist of helically coiled Nickel Chromium alloy resistant wire completely embedded in and surrounded by magnesium oxide, enclosed and wedged into corrosion resistant steel sheaths. Elements shall have 2" cold conductor pins extending into sheath and shall have a density of no more than 60 Watts per inch.

Heaters shall be equipped with a "manual reset" thermal overload which disconnects elements and motor in the event normal operating temperatures are exceeded. For safety, if opened due to abnormal temperature, thermal overload shall remain open until manually reset. Automatic reset thermal overloads which allow the element to continue to cycle under abnormal conditions will not be accepted. Heaters shall be ETL listed.

Factory Installed Control Sections

SUFFIX	DESCRIPTION	LIST
A1	Transformer with 24V Secondary and 24V Relay	134
S	Disconnect Switch	166
TA1S	Thermostat / Transformer / Disconnect Switch	390
TA1	Single Pole Thermostat & Transformer with 24V Secondary and 24V Relay	243
A1S	Transformer with 24V Secondary and 24V Relay and Disconnect Switch	302
T2	Double Pole Thermostat	133
T2S	Double Pole Thermostat and Disconnect Switch	296
R	Relay Control Voltage Same as Heater (control voltage field supplied)	82
R1	Relay 24V Control Voltage (control voltage field supplied)	134
R2	Relay 120V Control Voltage (control voltage field supplied)	123
T	Single Pole (480V only)	100
L	Factory installed adjustable louver diffuser option.	96

Product Dimensions



3470 Series Commercial Fan Forced Surface Mounted Ceiling Heater

Product Specifications

CONSTRUCTION: Made in U.S.A.

Contractor shall supply and install heavy duty ceiling mounted forced air electric heater(s) of the wattage, voltage and phase as indicated on the plans. The heater shall so be designed to provide an even distribution of heated air to the space to be heated by drawing return air in the periphery of the heater, across and through the element and be discharged from the center section of the heater by mean of an electric motor and axial flow fan blade.

MOTOR: Motor shall be permanent lubricated, unit bearing, totally enclosed shaded pole type with impedance protection. Motors shall operate at no more than 1300 RPM and shall be same voltage as the heater.

PERFORMANCE: Heaters shall have a rating of 425 CFM at 710 F.P.M. with a maximum temperature rise of 44°F and 63.9 DB RE 10¹² Watt.

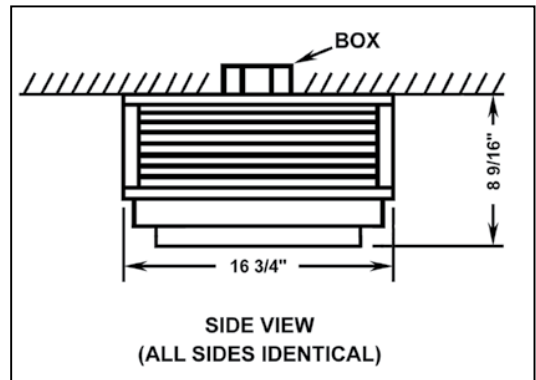
ELEMENT: Element assemblies shall consist of two or three corrosion resistant steel sheathed type elements mechanically bonded to common corrosion resistant steel fins. Each sheathed element shall consist of helically coiled Nickel Chromium alloy resistant wire completely embedded in and surrounded by Magnesium Oxide, enclosed and wedged into corrosion resistant steel sheaths. Elements shall have 2" cold conductor pins extending into sheath and shall have a density of no more than 60 watts per inch.

THERMAL OVERLOAD: Heaters shall be equipped with a "manual reset" thermal overload which disconnects elements and motor in the event normal operating temperatures are exceeded. For safety, if opened due to abnormal temperature, thermal overload shall remain open until manually reset. Automatic reset thermal overloads which allow the element to continue to cycle under abnormal conditions will not be accepted.

COMMERCIAL AND INSTITUTIONAL APPLICATIONS: Use in - vestibules, entrance ways, lobbies, rest rooms and small office and guard building applications.



Product Dimensions



Standard Models

UPC#	MODEL	KW	BTU'S	VOLTS	PH	AMPS	TEMP RISE	LIST		
686334										
367516	F3472	2	6826	208	1	9.6	15 °F	1375		
367530	H3472			240		8.3				
367523	G3472			277		7.2				
324335	P3472A1	2	6826	480	3	4.2	1504			
470155	J3472			208		5.6				
470162	K3472			240		4.8				
470223	Y3472A1	3	10200	480	1	2.4	1474			
367547	F3473			208		14.4				
367561	H3473			240		12.5				
367554	G3473	3	10200	277	3	10.8	1521			
324342	P3473A1			480		6.3				
323864	J3473			208		8.3				
470179	K3473	4	13600	240	3	7.2	1507			
470230	Y3473A1			480		3.6				
367578	F3474			208		19.2				
367592	H3474	4	13600	240	1	16.8	1407			
367585	G3474			277		14.4				
324359	P3474A1			480		8.3				
367608	J3474	5	17000	208	3	11.1	30 °F	1535		
367837	K3474			240		9.7				
324366	Y3474A1			480		4.8				
367615	F3475	5	17000	208	1	24.1	37 °F	1578		
367639	H3475			240		20.8				
367622	G3475			277		18.1				
324373	P3475A1	5	17000	480	3	10.4	37 °F	1715		
367646	J3475			208		13.9				
367844	K3475			240		12.1				
324380	Y3475A1	5	17000	480	3	6.1	37 °F	1808		
470919	M3472T2i			220		9.1			15 °F	1375
470926	N3472T2i			240		8.3				
470933	M3473T2i	3	10200	220	1	13.6	22 °F	1407		
470940	N3473T2i			240		12.5				
470957	M3474T2i	4	13600	220	1	18.2	30 °F	1407		
470964	N3474T2i			240		16.7				

*Optional Adjustable Louver Diffuser - \$91 Adder

Factory Installed Control Sections

SUFFIX	UNITS	DESCRIPTION	LIST
TS	1-Phase	Single Pole Thermostat - range 40°-110°F and Disconnect Switch	279
TA1S	3-Phase	Single Pole Thermostat - range 40°-110°F & Transformer with 24V Secondary and 24V Relay & Disconnect Switch	291
A1S	1 or 3 Phase	Transformer with 24V Secondary and 24V Relay and Disconnect Switch	298
T		Single Pole (480V only)	100

Wall Mounted Control Panels

UPC#	MODEL	VOLTS	CONTACTORS	BOX SIZE	LIST
605700	AF3401-24	208	1 @ 35 AMPS	12" x 12" x 4 1/2"	366
605793	AH3401-24	240			
605854	AG3401-24	277			
605748	AF3402-24	208	2 @ 35 AMPS	15" x 15" x 4 1/2"	454
605786	AH3402-24	240			
605847	AG3402-24	277			
605731	AF3403-24	208	3 @ 35 AMPS	18" x 18" x 4 1/2"	620
605779	AH3403-24	240			
605830	AG3403-24	277			

Notes

Optional controls must be factory installed. Field installation is not acceptable and violates Listing and factory warranty.

Factory installed control sections add 2-5/16" to the height of the unit.

Wall mounted control panels may control multiple units but cannot be used if In-Built controls are selected.

480V units include 24V transformer and relay as standard (A1) - only TS option control section can be added. Depth dimension of all 480V models is 10-7/8"

Degree F air rise is measured at 710 F.P.M. and 425 CFM. Throw designed for 8 to 12 foot ceilings. db RE 10⁻¹² Watt=63.9

Unit weight: 32 lbs.

Recommended Remote Thermostats:
Line Voltage: Single Phase 208-240V
Single Phase 277V
Three Phase

ET5DS
ET5SS
TW1512

Low Voltage: UT1001

CP & RCP Series Radiant Ceiling Panel Heaters

Product Description

For Surface Or Recessed Installation, Radiant Ceiling Panels radiate energy like the solar radiation which warms us, heats objects, not the air. With no moving parts, these heating panels create gentle warmth and toasty comfort.



Radiant Ceiling Panels provide a low surface temperature and broad heat distribution. Clean, gentle comfortable heat that is ideal for offsetting perimeter heat loss or neutralizing downdrafts over glass. These versatile and flexible panels may be used virtually anywhere in homes, schools, hospitals, motels and a broad variety of other commercial or industrial installations.



Product Specifications

CONSTRUCTION:

Radiant Ceiling Panels shall be made of highest quality steel casing. Front panel shall be painted with textured powder coated finish. Electric Resistance element is fixed between dielectric material and insulation. Two inches of insulation is compressed to one inch by back panel to minimize upward heat loss and radiant efficiency. Radiant panels shall have 36" pre-wired flexible cable for easy installation and wiring connections. CP Series is 2 Gauge metal. Made in U.S.A.

INSTALLATION:

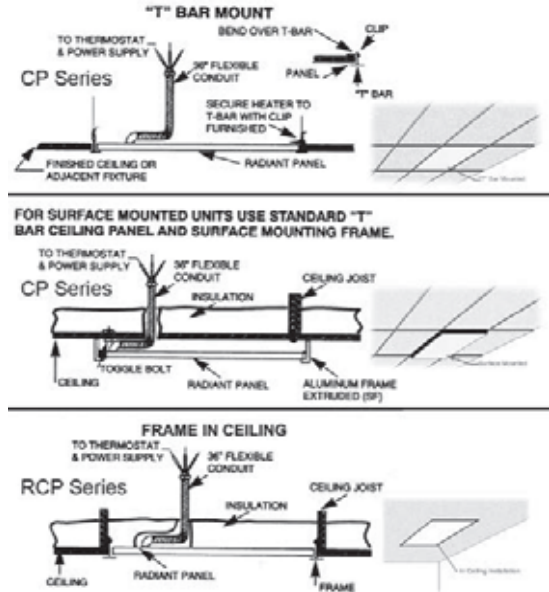
CP Series shall be designated as 2x2 or 2x4 size. All panels are 1" thick. The size shall be nominal dimension to be manufactured to fit drop ceiling systems. Standard units will fit regular "T" Bar frame. For regular or trim line or other frame sizes, special construction is required. RCP Series shall be used in recess mounting applications. RCP Series shall be 2" less in width to recess between nominal 24" center ceiling joists. RCP Series shall be complete with recess frame for finished construction.

ACCESSORIES:

Surface mounting frames shall be optional for surface mounting the CP Series, and are Aluminum mill finish. Frames can be painted white to match panel.

OPTIONS:

Silk-screening the exposed surface to match ceiling tiles is available, as well as silicone sealed metal parts for high humidity applications.



CP Series - "T" Bar & Surface Mounted

UPC# 686334	MODEL	WATTS	BTU's	AMPS	VOLTS	WT. (LBS)	LIST
Dimensions: 2' x 4' (Nominal) x 1"							
458719	CP805	500	1707	2	208	20 lb.	425
458726	CP125			4.2/2.1	120/240		
458733	CP705	750	2560	2	277	20 lb.	438
458740	CP807			4	208		
458757	CP127			6.3/3.1	120/240		
458764	CP707			3	277		
Dimensions: 2' x 2' (Nominal) x 1"							
458771	CP802	250	853	1	208	13 lb.	279
458788	CP122			2.1/1.0	120/240		
458795	CP702	375	1280	.9	277	13 lb.	337
458801	CP803			2	208		
458818	CP123			3.1/1.6	120/240		
458825	CP703			1	277		
459105	SF400 Surface Frame for 2' x 4' Panels (CP only)					10 lb.	188
459099	SF200 Surface Frame for 2' x 2' Panels					6 lb.	152

RCP Series - Frame in Ceiling Mounted

UPC# 686334	MODEL	WATTS	BTU's	AMPS	VOLTS	WT. (LBS)	LIST
Dimensions: 2' x 4' (Including Recessing Frame)							
458832	RCP805	500	1707	2	208	30 lb.	603
458849	RCP125			4.2/2.1	120/240		
458856	RCP705	750	2560	2	277	30 lb.	666
458863	RCP807			4	208		
458870	RCP127			6.3/3.1	120/240		
458887	RCP707			3	277		
Dimensions: 2' x 2' (Including Recessing Frame)							
458894	RCP802	250	853	1	208	19 lb.	405
458900	RCP122			2.1/1.0	120/240		
458917	RCP702	375	1280	.9	277	19 lb.	508
458924	RCP803			2	208		
458931	RCP123			3.1/1.6	120/240		
458948	RCP703			1	277		

International Models

UPC# 686334	MODEL	WATTS	BTU's	AMPS	VOLTS	WT. (LBS)	LIST
Dimensions: 2' x 4' (Nominal) x 1"							
471039	CP2205i	420	1434	1.9	220	20	425
471046	CP125i	500	1707	4.2/4.1	120/240		
471053	CP2207i	630	2150	2.9	220	20	438
471060	CP127i	750	2560	6.3/3.1	120/240		
Dimensions: 2' x 2' (Nominal) x 1"							
471077	CP2202i	210	717	0.95		13	279
471084	CP122i	250	853	2.1/1.0	120/240		
471091	CP2203i	315	1075	1.4	220	13	337
471107	CP123i	375	1280	3.1/1.6	120/240		
				1.4	277		

UPC# 686334	MODEL	WATTS	BTU's	AMPS	VOLTS	WT. (LBS)	LIST
Dimensions: 2' x 4' (Including Recessing Frame)							
471114	RCP2205i	420	1434	1.9	220	30	603
471121	RCP125i	500	1707	4.2/4.1	120/240		
471138	RCP2207i	630	2150	2.9	220	30	666
471145	RCP127i	750	2560	6.3/3.1	120/240		
Dimensions: 2' x 2' (Including Recessing Frame)							
471152	RCP2202i	210	717	0.95	220	19	405
471169	RCP122i	250	853	2.1/1.0	120/240		
471176	RCP2203i	315	1075	1.4	220	19	508
471183	RCP123i	375	1280	3.1/1.6	120/240		

CVX Series Radiant Cove Ceiling Heater



Product Description

Cove Heaters have a subtly contoured concave surface with a saw-tooth profile. The concave parabolic face plate performs a two-fold function: (1) it focuses the infrared rays and (2) directs the heat downward along cold perimeters and toward the center of the room. The sawtooth surface design increases the radiating surface area by 45%, thereby increasing the comfort level of the room faster and insuring more rapid recovery from heat losses.

Product Specifications

Furnish and install Electric Cove Heaters where specified. The heaters shall be constructed of .962" thick Aluminum. The heater surface shall be concave in contour and saw-tooth in profile. The finish shall be of powder coat white finish. The heaters shall be available in ratings from 450 through 1250 Watts, at 120, 240, 208 and 277 Volts. The heating element shall be of Nichrome wire, embedded in Magnesium Oxide powder, enclosed and sealed in Aluminum metal tubing. The heater shall be listed by ETL and the elements shall be supplied with a one year limited warranty. Made in U.S.A.

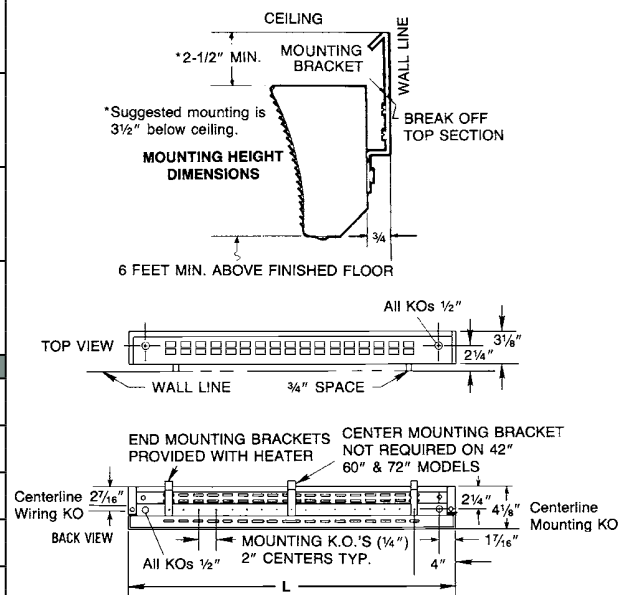
Standard Models

UPC#	MODEL	WATTS	BTU's	AMPS	VOLTS	LENGTH	WT. (LBS)	LIST
686334								
457583	CV4512X	450	1536	4	120	42"	7	214
457590	CV45X	450		2	240			
457606	CV45YX	450		2.0	208			
457613	CV4527X	450		2	277			
457620	CV6012X	600	2048	5.0	120	60"	10	266
457637	CV60X	600		3	240			
457644	CV60YX	600		3	208			
457651	CV6027X	600		2	277			
457668	CV7512X	750	2560	6	120	72"	13	294
457675	CV75X	750		3	240			
457682	CV75YX	750		3.6	208			
457699	CV7527X	750		3	277			
457705	CV9012X	900	3072	8	120	84"	14	332
457712	CV90X	900		4	240			
457729	CV90YX	900		4	208			
457736	CV9027X	900		3	277			
457743	CV10012X	1000	3413	8	120	96"	17	346
457750	CV100X	1000		4	240			
457767	CV100YX	1000		5	208			
457774	CV10027X	1000		4	277			
457781	CV11012X	1100	3754	9	120	108"	19	385
457798	CV110X	1100		5	240			
457804	CV110YX	1100		5	208			
457811	CV11027X	1100		4.0	277			
457828	CV12512X	1250	4266	10	120	120"	21	425
457835	CV125X	1250		5	240			
457842	CV125YX	1250		6.0	208			
457859	CV12527X	1250		5	277			
International Models								
471190	CV4522Xi	450	1536	2.0	220	42"	7	214
471206	CV45Xi			1.9	240			
471213	CV6022Xi	600	2048	2.7	220	60"	10	266
471220	CV60Xi			2.5	240			
471237	CV7522Xi	750	2560	3.4	220	72"	13	294
471244	CV75Xi			3.1	240			
471251	CV9022Xi	900	3072	4.1	220	84"	14	332
471268	CV90Xi			3.8	240			
471275	CV10022Xi	1000	3413	4.5	220	96"	17	346
471282	CV100Xi			4.2	240			
471299	CV11022Xi	1100	3754	5.0	220	108"	19	385
471305	CV110Xi			4.6	240			
471312	CV12522Xi	1250	4266	5.7	220	120"	21	425
471329	CV125Xi			5.2	240			

Accessories & Dimensions

UPC#	MODEL	DESCRIPTION	WT. (LBS)	LIST
686334				
457927	CVCBX	Ceiling Bracket*	1/2	15
457866	CVB42X	42" Blank Section	6	51
457873	CVB60X	60" Blank Section	8	74
457880	CVB84X	84" Blank Section	12	99
457912	CVSP	Aerosol Touch-up Paint	1	47

* Order 2 for units up to 72"
Order 3 for units over 72"



3000 Series Midsized Commercial Fan Forced Wall Heater - Multiple Wattage



Features

- Wattage selectable at time of installation.
- Models shipped wired to highest wattage.
- Approved for horizontal mounting - right or left discharge.
- Fan purge circuit.
- Disconnect switch.
- Drywall depth embossments on back can.
- 18 gauge powder coated steel & extruded Aluminum front.
- Manual reset thermal limit.
- Steel block fin element.
- Propeller style fan blade: 1060 RPM motor; 100 CFM.
- Weight 6 lbs.
- Rough in dimensions: 9-1/4" Wide x 12-1/8" High x 3-5/8" Deep.
- Grill dimensions: 10" Wide x 13-1/8" High.
- Approved for wall or ceiling installation.
- Made in U.S.A.

Standard Models

UPC# 686334	MODEL	SELECTABLE INSTALLATION WATTAGE	MAX BTU's	VOLTS	MAX AMPS	LIST
TAMPERPROOF IN-BUILT DOUBLE POLE THERMOSTAT (50° - 90° TEMPERATURE RANGE)						
996211	E3055T2DWB	750 or 1500	5120	120	12.5	307
996228	E3058T2DWB	900 or 1800	6143	120	15.0	305
996259	F3052T2DWB	1000 or 2000	6826	208	8.3	
945691	F30522T2DWB	500 or 750 or 1000 or 1250 or 1500 or 1750 or 2250	7680	208	10.8	355
996280	H3052T2DWB	750 or 1000 - 1500 or 2000	6826	208 / 240	8.3	307
945721	H30522T2DWB	500 or 750 or 1000 or 1250 or 1500 or 1750 or 2250	7680	240	9.4	353
996310	G3052T2DWB	2000	6826	277	7.2	312
TAMPERPROOF IN-BUILT SINGLE POLE THERMOSTAT (50° - 90° TEMPERATURE RANGE)						
996068	E3055TDWB	750 or 1500	5120	120	12.5	289
996075	E3058TDWB	900 or 1800	6143	120	15.0	291
996105	F3052TDWB	1000 or 2000	6826	208	8.3	
945639	F30522TDWB	500 or 750 or 1000 or 1250 or 1500 or 1750 or 2250	7680	208	10.8	335
996136	H3052TDWB	750 or 1000 - 1500 or 2000	6826	208 / 240	8.3	289
945660	H30522TDWB	500 or 750 or 1000 or 1250 or 1500 or 1750 or 2250	7680	240	9.4	321
996167	G3052TDWB	2000	6826	277	7.2	291

Accessories

UPC# 686334	MODEL	DESCRIPTION	LIST
996945	305EX8	1" EXTENDER	41
996938	305EX16	2" EXTENDER	42
996921	305EX32	4" SURFACE MOUNT FRAME	48

Note: Please see page 60 for custom color availability - add 10% to net heater cost.

3320 Series Commercial Fan Forced Wall Heater



Features

- Disconnect switch.
 - Automatic fan delay circuit.
 - Automatic reset thermal limit.
 - Powder coated 18 gauge steel grill with extruded Aluminum front frame.
 - Steel block fin element.
 - Vane axial fan blade: 600 RPM motor; 175 CFM
 - Built-In tamper proof thermostat.
 - Made in U.S.A.
- Rough-in dimensions:
14-3/16" Wide x 19-7/16" High x 4" Deep
- Grill dimensions:
15-29/32" Wide x 20-27/32" High



Product Specifications

Furnish and install Heavy-Duty Forced Air wall heaters, where specified. The heaters shall be constructed of a heavy 18 gauge steel housing with an extruded Aluminum frame. The rough-in dimensions are 19-7/16" High x 14-3/16" Wide x 4" Deep. The units shall be available in ratings from 750 to 4800 Watts at 240, 208, and 277 Volts. The heaters shall have a low-speed 600 RPM, 4-pole motor which drives a vane axial blower to deliver a quiet 175 CFM of down flow air. The heating element shall be of the sealed tubular type with large, parallel steel fins for quick heat transfer. Unit shall have as a standard, a thermal overload cut-off for added safety, fan delay switch and built-in tamper proof thermostat which shall be calibrated to provide a range of 55°F. to 85°F. and manual disconnect switch.

Optional accessories shall include a surface and semi-recess mounting adapter. All heaters shall be listed by ETL. The heating element shall be supplied with a manufactures 1-year limited warranty.

Standard Models

UPC#	MODEL	WATTS	BTU's	VOLTS	AMPS	WT. (LBS)	LIST
IN-BUILT SINGLE POLE TAMPERPROOF THERMOSTAT (50° - 90° TEMPERATURE RANGE) FOR DOUBLE POLE THERMOSTAT REPLACE "T" IN MODEL NUMBER WITH "T2" -- Add \$50							
382052	E3321TD-RP	750	2560	120	6.25	26	657
381994	E3322TD-RP	1000	3413		8.3		
380881	E3323TD-RP	1500	5120		12.5		
380935	F3326TD-RP	4000	13800	208	19.2	668	702
381024	F3327TD-RP	4800	16560		23		
380942	HF3323TD-RP	1500 / 1125	5120 / 3840	240 / 208	6.2 / 5.4	27	668
380959	HF3324TD-RP	2000 / 1500	6284 / 5120		8.3 / 7.2		
380966	HF3325TD-RP	3000 / 2250	10350 / 7763		12.5 / 10.8		
380973	HF3326TD-RP	4000 / 3000	13800 / 10350	240	16.7 / 14.4	29	695
381031	H3327TD-RP	4800	16560		20		
380980	G3323TD-RP	1500	5120	277	4.1	26	667
380997	G3324TD-RP	2000	6284		7.2		
381000	G3325TD-RP	3000	10350		10.8		
381017	G3326TD-RP	4000	13800	208	14.4	29	804
381048	G3327TD-RP	4800	16560		17.3		
398077	J3326TD-RP*	4000	13800	208	11.11	30	845
398091	J3327TD-RP*	4800	16560		13.33		
398084	K3326TD-RP*	4000	13800	240	9.64	30	804
398107	K3327TD-RP*	4800	16560		11.57		
International Models							
396424	M3324TD-RPi	3360/1680	11468/5734	220	15.3/7.64	27	668
396437	M3325TD-RPi	4032/2016	13761/6881		18.3/9.16		

*Indicates 3-Phase model. All other models are 1-Phase.

Accessories

UPC#	MODEL	DESCRIPTION	TYPE	WT. (LBS)	LIST
377850	BOX 3310	Additional Rough-in Box	Field Installed	3	104
378451	3320EX33	4" Surface Mounting Frame		1	95
382939	3320EX16	2" semi recess extender		1	81
----	Suffix - HD	16 Gauge Steel Heavy Duty Grill	Factory Installed	2	104

4400 Series Low Profile Commercial Fan Forced Wall Heater - With Wall Box



- Powder coated 20 gauge steel front with extruded Aluminum frame.
- Manual reset thermal limit.
- Finned tubular steel element.

- Propeller style fan blade - 2200 RPM/70 CFM
- Weight 9 lbs.
- Rough in dimensions:
14-1/2" Wide x 7-1/8" High x 3-1/2" Deep
- Grill dimensions: 16-7/8" Wide x 8" High
- Unit not approved for ceiling mount applications.
- Unit can be positioned to allow left, right or top discharge.
- Made in U.S.A.

Standard Models

UPC#	MODEL	VOLTS	WATTS	MAX BTU'S	AMPS	LIST
DOUBLE POLE IN-BUILT THERMOSTAT (RANGE 50° - 90° F)						
328326	F4420T2RP	208	2000	6826	9.6	325
328333	HF4475T2RP	240/208	750 / 562	2560 / 1920	3.1 / 2.7	
328340	HF4410T2RP		1000 / 750	3413 / 2560	4.2 / 3.6	
328357	HF4415T2RP		1500 / 1125	5120 / 3840	6.3 / 5.4	
328364	HF4420T2RP		2000 / 1500	6826 / 5120	8.3 / 7.2	
SINGLE POLE IN-BUILT THERMOSTAT (RANGE 50° - 90° F)						
328371	E4475TRP	120	750	2560	6.25	305
328388	E4410TRP		1000	3413	8.33	
328395	E4415TRP		1500	5120	12.5	
328401	F4420TRP		208	2000	6826	

Accessories

UPC#	MODEL	DESCRIPTION	WT. (LBS)	LIST
329910	4400EX8	1" SEMI RECESSING EXTENDER	2	47
329903	4400EX16	2" SEMI RECESSING EXTENDER	3	50
329897	4400EX32	4" SURFACE MOUNTING FRAME	4	52
328449	4300PB	WALL PLATE ADAPTOR (OD 21.5"x12.25")	1	34

Note: Please see page 60 for custom color availability - add 10% to net heater cost.

3420 & 3450 Series Heavy-Duty Fan Forced Wall Heaters



Features

- Powder coated bar stock steel tamper proof grille, with extruded Aluminum frame and 16 gauge housing.
- In-Built double pole tamper proof thermostat with a 40°-110°F temperature range & positive off; 3 phase heaters have 3 pole thermostat for positive off position.
- Manual reset thermal limit switch.
- Corrosion resistant steel tubular element with brazed steel fins.
- Permanently lubricated, unit bearing, shaded pole motor with impedance protection.
- Propeller type fan blade:
 - Made in U.S.A.
- 1400 RPM motor; 245 CFM
- Factory installed options:
 - contactors (3420 & 3450 series)
 - circuit breakers (3450 series)
 - control transformers (3450 series)

Note: Wall box required - may be ordered early for rough in purposes.

Standard Models

HEATER		WALL BOX		WATTS	BTU's	VOLTS	PH	AMPS	WT. (LBS)	HEATER LIST	WALL BOX LIST	TOTAL LIST
UPC# 686334	MODEL	UPC# 686334	MODEL									
SERIES 3420 - ROUGH-IN DIMENSIONS: 19-3/8" H x 14-1/4" W x 4-1/4" D GRILL DIMENSIONS: 21-15/32" H x 17-7/16" W												
691130	F3422T	691574	Box 3420	2000	6826	208	1	9.6	41	986	165	1148
691192	H3422T					240		8.3				
691178	G3422T					277		7.2				
384629	J3422T			2000	6826	208	3	5.6		1157		
384643	K3422T					240		4.8				
691239	F3423T			3000	10239	208	1	14.4		1011		
691314	H3423T					240		12.5				
691277	G3423T					277		10.8				
384636	J3423T			3000	10239	208	3	8.3		1157		
384650	K3423T					240		7.3				
691338	F3424T			4000	13652	208	1	19.2		1032		
691383	H3424T					240		16.7				
691369	G3424T					277		14.4				
691406	J3424T					208	3	11.1				1157
691413	K3424T					240		9.6				
691437	F3425T					208		24				
691512	H3425T			5000	17065	240	1	20.8		1171		
691482	G3425T					277		18.1				
691536	J3425T	208	13.9									
691567	K3425T			240	3	12.0	1272	1434				

HEATER		WALL BOX		WATTS	BTU's	VOLTS	PH	AMPS	WT. (LBS)	HEATER LIST	WALL BOX LIST	TOTAL LIST
UPC# 686334	MODEL	UPC# 686334	MODEL									
SERIES 3450 - ROUGH-IN DIMENSIONS: 23-1/16" H x 14-1/4" W x 4-1/4" D GRILL DIMENSIONS: 25-1/32" H x 17-7/16" W												
691611	F3452T	691918	Box 3450	2000	6826	208	1	9.6	55	1264	192	1451
691680	H3452T					240		8.3				
312295	G3452T					277		7.2				
384667	J3452T			2000	6826	208	3	5.6		1437		
384681	K3452T					240		4.8				
687683	F3453T			3000	10239	208	1	14.4		1280		
691772	H3453T					240		12.5				
312288	G3453T					277		10.8				
384674	J3453T			3000	10239	208	3	8.3		1437		
384698	K3453T					240		7.3				
691789	F3454T			4000	13652	208	1	19.2		1312		
691819	H3454T					240		16.7				
311991	G3454T					277		14.4				
691857	J3454T					208	3	11.1				1437
316651	K3454T					240		9.6				
312981	F3455T					208		1				
312134	H3455T			240	20.8							
312387	G3455T			277	18.1							
691901	J3455T	5000	17065	208	3	13.9	1584					
313070	K3455T			240		12.0						

Note: Please see page 60 for custom color availability - add 10% to net heater cost.

Note: Products listed in this section are custom built and subject to 100% cancellation/restocking charges.

Contractor shall supply and install heavy duty wall mounted forced air electric heaters of the wattage, voltage and phase as specified. The heater shall so be designed to provide an even distribution of heated air to the space to be heated by drawing return air in the peripheral area of the heater across and through the element which shall then be discharged from the center section of the heater by means of an electric motor and axial flow fan blade. Heaters shall be recessed type to extend no more than 1-1/2" from the finished wall or surface mounted to extend no more than 5-3/4" from the finished wall or semi-recessed type to extend no more than 3-1/2" from finished wall or semi-recessed type to extend no more than 2-1/2" from finished wall.

ENCLOSURE:

Heater front shall withstand 10.8 ft. lbs. (324 poundals) impact and 400 lbs. static force applied to an 8 sq. in. area at center grille location with less than 1/16" permanent distortion. The combination return and supply grille assembly shall be constructed of 1/16" x 3/8" rounded edge horizontal steel louvers which shall be spaced for maximum opening of 1/4". Louvers shall be welded at every intersection to three evenly spaced 1/16" diameter vertical members and completely framed in a heavy gauge natural anodized Aluminum extrusion. Front assembly shall be attached to the chassis by hidden tamper-resistant (Allen-head) machine screws. All other parts shall be 16 gauge steel Zinc coated, both sides finished in a high gloss or bronze colored baked powder coat finish.

MOTOR:

Motor shall be a permanently lubricated unit bearing, totally enclosed shaded pole type with impedance protection. Motors shall operate at no more than 1400 RPM and shall be same voltage as the heater. A protective shield shall surround the motor to separate return air from heated air.

PERFORMANCE:

Heaters shall have a rating of 245 CFM at 660 F.P.M. with a maximum temperature rise of 73°F.

ELEMENTS:

Element assemblies shall consist of two or three corrosion resistant steel sheathed type elements mechanically bonded to common corrosion resistant steel fins. Each sheathed element shall consist of helically coiled Nickel Chromium alloy resistant wire completely embedded in and surrounded by Magnesium Oxide, enclosed and wedged into corrosion resistant steel sheaths. Elements shall have 2" cold conductor pins extending into the sheath and shall have a density of no more than 60 Watts per inch.

THERMAL OVERLOAD:

Heaters shall be equipped with a "manual reset" thermal overload which disconnects elements and motor in the event normal operating temperatures are exceeded. For safety, if opened due to abnormal temperature, thermal overload shall remain open until manually reset. Automatic reset thermal overloads which allow the element to continue to cycle under abnormal conditions will not be accepted.

APPROVAL:

Heaters shall be ETL Listed.

OPTIONAL CONTROL SYSTEMS:

Heaters shall be operated from wall-mounted, line voltage, heavy-duty (tamper-proof) thermostats. Heaters with built-in, pre-wired contactors shall be operated from wall-mounted, line voltage, pilot duty (tamper-proof) thermostats. Heaters built with, pre-wired contactors (and control transformers) shall be operated from wall-mounted, pilot duty (24V) or (120V) wall-mounted tamper-proof thermostats. Heaters shall be controlled by integrally mounted thermostats. Thermostats shall be heavy-duty, hydraulic type with a range of 40°F to 80°F and with remote sensing bulb placed in the return air. Thermostats shall be electrically rated at least 125% of heater rating. Thermostats

3420 & 3450 Series Heavy-Duty Fan Forced Wall Heaters

Product Specifications

shall be heavy-duty, hydraulic type with a range of 40°F to 80°F and with remote sensing bulb placed in the return air. Thermostats shall be electrically rated at least 125% of heater rating. Thermostats shall also act as a disconnect by breaking all ungrounded conductors in the OFF position. (Thermostat control knob shall be covered by a 16 gauge tamper-proof access plate to prevent adjustment by unauthorized personnel.)

CONTACTORS:

Where required, heaters shall be equipped with heavy-duty, definite purpose contactors with flame path separators and dust covers. Contactors shall cycle all ungrounded conductors. Contactors shall have holding coils (of the same voltage as the heater) or (120 Volts) or (24 Volts).

CONTROL TRANSFORMERS:

Heater shall be equipped with a Class 2 control transformer, sealed rating of 20 VA, to supply control circuits of (24 Volts) or (120 Volts). (120 Volt secondaries not available in single phase heaters over 3 KW).

CIRCUIT BREAKERS (3450 Series Only):

Heaters shall be equipped with built-in circuit breakers in order to allow the heaters to be supplied from feeder taps. A separate switch providing a positive off for control circuits shall be included where required. Circuit breakers and control switches shall be arranged so that all line side conductors will be separately enclosed when heater front is removed for servicing so that no current carrying parts are accessible without the use of additional tools.

Field Installed Accessories

Units with transformers must have a contactor. A control transformer with 120V secondary is available on all 3-phase models, 208V/240V 1-phase units up to 3KW, and up to 4 KW on 277V. All heaters must be installed with a wall box.

MODEL	DESCRIPTION	SERIES OPTIONS		LIST
		3420	3450	
Suffix - R	Contactor with Coil same as heater	YES	YES	192
Suffix - R1	Contactor with 24V Coil	YES	YES	
Suffix - R2	Contactor with 120V Coil	YES	YES	
Suffix - C	Circuit Breakers - all models	NO	YES	357
Suffix - A1	Control Transformers With 24V Secondary	NO	YES	105
Suffix - A2	Control Transformers With 120V Secondary	NO	YES	141

UPC# 686334	MODEL	DESCRIPTION	WT. (LBS)	LIST
691949	3450EX34	4" Surface Mounting Sleeve	6	107
691932	3450EX16	2" Semi-Recessing Sleeve	4	102
691925	3450EX8	1" Semi-Recessing Sleeve	4	82
691604	3420EX34	4" Surface Mounting Sleeve	5	107
691598	3420EX16	2" Semi-Recessing Sleeve	4	102
691581	3420EX8	1" Semi-Recessing Sleeve	3	82

3310 Series Fan Forced Wall Heater - Without Summer Fan Switch



Features

- Powder coated 18 gauge steel front.
- Automatic reset thermal limit.
- Vane axial fan blade: 600 RPM / 175 CFM.
- Rough in dimensions: 14-3/16" Wide x 19-15/16" High x 4" Deep.
- Grill dimensions: 15-3/8" Wide x 20-9/64" High.
- Steel block fin element. • Made in U.S.A.
- Weight 22 lbs.
- Units with dual wattage, factory wired to highest wattage.
- Wattage selectable at time of installation on some models.



Standard Models

MODELS WITH IN-BUILT DOUBLE POLE THERMOSTAT (50° - 90° F TEMPERATURE RANGE)								
IVORY		WHITE		WATTS	MAX BTU's	VOLTS	AMPS	LIST
UPC#	IVORY MODEL	UPC#	WHITE MODEL					
326346	E3312T2RP	326483	E3312T2RPW	1000	3413	120	8.3	503
326353	E3313T2RP	326490	E3313T2RPW	1500	5120		12.5	
				750	2560		6.25	
326360	F3316T2RP	326506	F3316T2RPW	4000	13648	208	19.2	511
326377	F3317T2RP	326513	F3317T2RPW	4800	16380		23	525
326407	HF3315T2RP	326544	HF3315T2RPW	3000 / 2250	10240	240 / 208	12.5 / 10.8	510
				1500 / 1125	5120		6.2 / 5.4	
326414	HF3316T2RP	326551	HF3316T2RPW	4000 / 3000	13648		16.8 / 14.4	
				2000 / 1500	6826	8.3 / 7.2		
326421	H3317T2RP	326568	H3317T2RPW	4800	16380	240	20.0	536
326438	G3314T2RP	326575	G3314T2RPW	2000	6826	277	7.2	510
326445	G3315T2RP	326582	G3315T2RPW	3000	10240		10.8	
326452	G3316T2RP	326599	G3316T2RPW	4000	13648		14.4	
326469	G3317T2RP	326605	G3317T2RPW	4800	16380		17.3	

MODELS WITH IN-BUILT SINGLE POLE THERMOSTAT (50° - 90° F TEMPERATURE RANGE)								
382526	E3312TRP	382618	E3312TRPW	1000	3413	120	8.3	469
380652	E3313TRP	384162	E3313TRPW	1500	5120		12.5	
				750	2560		6.25	
379946	F3316TRP	384186	F3316TRPW	4000	13648	208	19.2	477
380300	F3317TRP	384193	F3317TRPW	4800	16380		23	491
380560	HF3315TRP	382229	HF3315TRPW	3000 / 2250	10240	240 / 208	12.5 / 10.8	477
				1500 / 1125	5120		6.2 / 5.4	
379984	HF3316TRP	382236	HF3316TRPW	4000 / 3000	13648		16.8 / 14.4	
				2000 / 1500	6826	8.3 / 7.2	501	
380317	H3317TRP	382243	H3317TRPW	4800	16380	240	20.0	501
329873	G3314TRP	384261	G3314TRPW	2000	6826	277	7.2	476
328494	G3315TRP	328517	G3315TRPW	3000	10240		10.8	
328500	G3316TRP	328524	G3316TRPW	4000	13648		14.4	
379179	G3317TRP	384292	G3317TRPW	4800	16380		17.3	

MODELS WITHOUT AN IN-BUILT THERMOSTAT								
326629	E3312RP	326766	E3312RPW	1000	3413	120	8.3	445
326636	E3313RP	326773	E3313RPW	1500	5120		12.5	
				750	2560		6.25	
328531	F3316RP	326780	F3316RPW	4000	13648	208	19.2	456
326650	F3317RP	326797	F3317RPW	4800	16380		23	469
326681	HF3315RP	326827	HF3315RPW	3000 / 2250	10240	240 / 208	12.5 / 10.8	456
				1500 / 1125	5120		6.2 / 5.4	
326698	HF3316RP	326834	HF3316RPW	4000 / 3000	13648		16.8 / 14.4	
				2000 / 1500	6826	8.3 / 7.2	479	
326704	H3317RP	326841	H3317RPW	4800	16380	240	20.0	479
326711	G3314RP	326858	G3314RPW	2000	6826	277	7.2	455
326728	G3315RP	326865	G3315RPW	3000	10240		10.8	
326735	G3316RP	326872	G3316RPW	4000	13648		14.4	
326742	G3317RP	326889	G3317RPW	4800	16380		17.3	

3310 Series Fan Forced Wall Heater - With Summer Fan Switch



Features

- Powder coated 18 gauge steel front.
- Automatic reset thermal limit.
- Steel block fin element.
- Weight 22 lbs.
- Vane axial fan blade: 600 RPM / 175 CFM.
- Grill dimensions: 15-3/8" Wide x 20-9/64" High.
- Rough in dimensions: 14-3/16" Wide x 19-15/16" High x 4" Deep.
- Units with dual wattage, factory wired to highest wattage.
- Wattage selectable at time of installation on some models.
- Made in U.S.A.



Product Specifications

Typical Specifications: Furnish and install Electric Forced Air Heaters where specified. The heaters shall be constructed of a heavy gauge steel housing. The rough-in dimensions are 14-3/16" Wide x 19-5/16" High x 4" Deep. The finish shall be powder coated paint in ivory or white color. The units shall be available in ratings from 750 through 4800 Watts. The heaters shall have a low speed 600 RPM motor which drives a vane axial blower to deliver a quiet 175 CFM of down flow air. The heating element shall be of the sealed block fin type with large, parallel steel fins for quick heat transfer. Unit shall have a standard thermal overload cutoff for added safety, a fan switch for fan only operation, and is available with a single pole, or double pole built-in thermostat, or no thermostat. The in-built thermostat shall be calibrated to provide a range of 50 degrees F. to 90 degrees F. All heaters shall be listed by ETL. The heating element shall be supplied with a manufacturer's 1 year limited warranty.

Standard Models

MODELS WITH IN-BUILT DOUBLE POLE THERMOSTAT (50° - 90°F TEMPERATURE RANGE)								
IVORY		WHITE		WATTS	MAX BTU's	VOLTS	AMPS	LIST
UPC# 686334	IVORY	UPC# 686334	WHITE					
326063	E3312T2SRP	326209	E3312T2SRPW	1000	3413	120	8.3	513
326070	E3313T2SRP	326216	E3313T2SRPW	1500	5120		12.5	
				750	2560		6.25	
326087	F3316T2SRP	326223	F3316T2SRPW	4000	13648	208	19.2	525
326094	F3317T2SRP	326230	F3317T2SRPW	4800	16380		23	537
326124	HF3315T2SRP	326261	HF3315T2SRPW	3000 / 2250	10240	240 / 208	12.5 / 10.8	525
				1500 / 1125	5120		6.2 / 5.4	
326131	HF3316T2SRP	326278	HF3316T2SRPW	4000 / 3000	13648		16.8 / 14.4	
				2000 / 1500	6826		8.3 / 7.2	
326148	H3317T2SRP	326285	H3317T2SRPW	4800	16380	240	20.0	546

MODELS WITH IN-BUILT SINGLE POLE THERMOSTAT (50° - 90°F TEMPERATURE RANGE)								
382571	E3312TSRP	382595	E3312TSRPW	1000	3413	120	8.3	482
379618	E3313TSRP	384018	E3313TSRPW	1500	5120		12.5	
				750	2560		6.25	
377713	F3316TSRP	384025	F3316TSRPW	4000	13648	208	19.2	491
377782	F3317TSRP	384032	F3317TSRPW	4800	16380		23	503
377607	HF3315TSRP	384070	HF3315TSRPW	3000 / 2250	10240	240 / 208	12.5 / 10.8	505
				1500 / 1125	5120		6.2 / 5.4	
377690	HF3316TSRP	384087	HF3316TSRPW	4000 / 3000	13648		16.8 / 14.4	
				2000 / 1500	6826		8.3 / 7.2	
377768	H3317TSRP	384094	H3317TSRPW	4800	16380	240	20.0	512
International Models								
----	----	396480	M3315T2SRPW	3360	11468	220	15.27	525
				1680	5734		7.64	
		396493	M3316T2SRPW	4032	13761		18.33	
				2016	6881		9.16	

Note: Fan switch not available on 277V models. 277V models are available without a fan switch on previous page.

Accessories - All Models

IVORY		WHITE		DESCRIPTION	ACCESSORY TYPE	LIST
UPC# 686334	MODEL	UPC# 686334	MODEL			
377850	BOX3310	377850	BOX3310	ADDITIONAL BACK CAN	Field Installed	104
329958	3310EX33R	329965	3310EX33WR	SURFACE MOUNTING FRAME		90
SUFFIX D				DISCONNECT SWITCH	Factory Installed	114

3200 Series Midsized Fan Forced Wall Heater - With Wall Box



SHOWN WITH BUILT-IN THERMOSTAT

Features

- Units have white powder coat finish.
- Approved for horizontal mounting - right or left discharge.
- Drywall depth embossments on back can.
- Powder coated 18 gauge steel front.
- Manual reset thermal limit.
- Finned tubular steel element.
- Weight 6 lbs.
- Propeller style fan blade: 2200 RPM / 70 CFM.
- Optional field installed In-Built thermostat.
- Rough in dimensions: 9-1/4" Wide, 12-1/8" High, 3-5/8" Deep.
- Grill dimensions: 9-25/32" Wide, 13" High.
- Made in U.S.A. **"TWO WIRE INSTALLATION"**



Standard Models

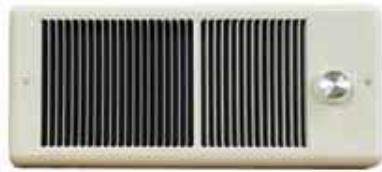
UPC# 686334	MODEL	VOLTS	WATTS	MAX BTU'S	AMPS	LIST
BUILT-IN DOUBLE POLE (POSITIVE OFF) THERMOSTAT 50° - 90° F RANGE						
383462	F3220T2RPW	208	2000	6826	9.6	262
383479	H3275T2RPW	240	750	2560	3.1	
383486	HF3210T2RPW	240/208	1000 / 750	3413 / 2560	4.2 / 3.6	
383493	HF3215T2RPW		1500 / 1125	5120 / 3840	6.3 / 5.4	
383509	HF3220T2RPW		2000 / 1500	6826 / 5120	8.3 / 7.2	
383516	HF3222T2RPW		2250 / 1688	7680 / 5762	9.4 / 8.1	
International Models - BUILT-IN DOUBLE POLE (POSITIVE OFF) THERMOSTAT 50° - 90° F RANGE						
396387	M3210T2RPWi	220	840	2867	3.8	262
396394	M3215T2RPWi		1260	4300	5.7	
396400	M3220T2RPWi		1680	5734	7.6	
396417	M3222T2RPWi		1890	6451	8.6	
Standard Models - BUILT-IN SINGLE POLE (POSITIVE OFF) THERMOSTAT 50° - 90° F RANGE						
383523	E3275TRPW	120	750	2560	6.25	246
383530	E3210TRPW		1000	3413	8.33	
383547	E3215TRPW		1500	5120	12.5	
NO BUILT-IN THERMOSTAT						
383554	E3275RPW	120	750	2560	6.25	226
383561	E3210RPW		1000	3413	8.33	
383578	E3215RPW		1500	5120	12.5	
383585	F3220RPW	208	2000	6826	9.6	
383592	H3275RPW	240	750	2560	3.1	
383608	HF3210RPW	240/208	1000 / 750	3413 / 2560	4.2 / 3.6	
383615	HF3215RPW		1500 / 1125	5120 / 3840	6.3 / 5.4	
383622	HF3220RPW		2000 / 1500	6826 / 5120	8.3 / 7.2	
383639	HF3222RPW		2250 / 1688	7680 / 5762	9.4 / 8.1	

Accessories

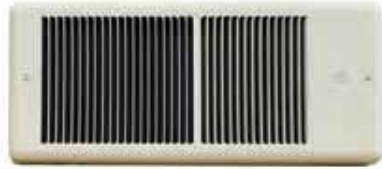
FIELD INSTALLED COMPONENTS			
UPC# 686334	MODEL	DESCRIPTION	LIST
383646	32T1	Single Pole thermostat with positive off for 120V units 50° - 90° F	51
383653	32T2	Double Pole thermostat with positive off for 240/208V units 50° - 90° F	57

SURFACE MOUNTED EXTENDERS & FRAMES			
WHITE		DESCRIPTION	LIST
UPC# 686334	MODEL		
996976	303EX8RW	1" EXTENDER	41
996969	303EX16RW	2" EXTENDER	42
996952	303EX32RW	4" SURFACE MOUNT FRAME	49

4300 Series Low Profile Fan Forced Wall Heater - With Wall Box



WITH IN-BUILT THERMOSTAT



WITHOUT IN-BUILT THERMOSTAT

Features

- Available in ivory or white.
- Powder coated 20 gauge steel front.
- Manual reset thermal limit.
- Finned tubular steel element.
- Weight 9 lbs.
- Propeller style fan blade - 2200 RPM / 70 CFM
- Rough in dimensions: 14-1/2" Wide, 7-1/8" High, 3-1/2" Deep
- Grill dimensions: 16-3/4" Wide, 7-5/8" High
- Unit not approved for ceiling mount applications.
- Unit can be positioned to allow left, right or top discharge.
- Made in U.S.A.



Standard Models

IVORY		WHITE		VOLTS	WATTS	MAX BTU's	AMPS	LIST
UPC# 686334	MODEL	UPC# 686334	MODEL					
DOUBLE POLE IN-BUILT THERMOSTAT (RANGE 50° - 90°F)								
327695	F4320T2RP	327749	F4320T2RPW	240/208	2000	6826	9.6	253
327701	HF4375T2RP	327756	HF4375T2RPW		750 / 562	2560 / 1920	3.1 / 2.7	
327718	HF4310T2RP	327763	HF4310T2RPW		1000 / 750	3413 / 2560	4.2 / 3.6	
327725	HF4315T2RP	327770	HF4315T2RPW		1500 / 1125	5120 / 3840	6.3 / 5.4	
327732	HF4320T2RP	327787	HF4320T2RPW		2000 / 1500	6826 / 5120	8.3 / 7.2	
International Models - DOUBLE POLE IN-BUILT THERMOSTAT (RANGE 50° - 90°F)								
----	----	396448	M4375T2RPi	220	630	2150	2.9	258
----	----	396455	M4310T2RPi		840	2869	3.8	
----	----	396462	M4315T2RPi		1260	4300	5.7	
----	----	396479	M4320T2RPi		1680	5733	7.6	
Standard Models - SINGLE POLE INBUILT THERMOSTAT (RANGE 50° - 90°F)								
327794	E4375TRP	327879	E4375TRPW	120	750	2560	6.25	234
327800	E4310TRP	327886	E4310TRPW		1000	3413	8.33	
327817	E4315TRP	327893	E4315TRPW		1500	5120	12.5	
327824	F4320TRP	327909	F4320TRPW	240/208	2000	6826	9.6	
327831	HF4375TRP	327916	HF4375TRPW		750 / 562	2560 / 1920	3.1 / 2.7	
327848	HF4310TRP	327923	HF4310TRPW		1000 / 750	3413 / 2560	4.2 / 3.6	
327855	HF4315TRP	327930	HF4315TRPW		1500 / 1125	5120 / 3840	6.3 / 5.4	
327862	HF4320TRP	327947	HF4320TRPW	2000 / 1500	6826 / 5120	8.3 / 7.2		
NO IN-BUILT THERMOSTAT								
327954	E4375RP	328036	E4375RPW	120	750	2560	6.25	213
327961	E4310RP	328043	E4310RPW		1000	3413	8.33	
327978	E4315RP	328050	E4315RPW		1500	5120	12.5	
327985	F4320RP	328067	F4320RPW	240/208	2000	6826	9.6	
327992	HF4375RP	328074	HF4375RPW		750 / 562	2560 / 1920	3.1 / 2.7	
328005	HF4310RP	328081	HF4310RPW		1000 / 750	3413 / 2560	4.2 / 3.6	
328012	HF4315RP	328098	HF4315RPW		1500 / 1125	5120 / 3840	6.3 / 5.4	
328029	HF4320RP	328104	HF4320RPW	2000 / 1500	6826 / 5120	8.3 / 7.2		

Accessories

UPC# 686334	IVORY MODEL	UPC# 686334	WHITE MODEL	ACCESSORY OPTIONS	WT. (LBS)	LIST
327657	4300EX8	328456	4300EX8W	1" SEMI RECESSING EXTENDER	2	46
327664	4300EX16	328463	4300EX16W	2" SEMI RECESSING EXTENDER	3	49
327671	4300EX32	328470	4300EX32W	4" SURFACE MOUNTING FRAME	4	52
327688	4300P	328487	4300PW	WALL PLATE ADAPTOR (OD 21.5" x 12.25")	1	33
FIELD INSTALLED THERMOSTATS		329774	43T	SINGLE POLE THERMOSTAT 50° - 90° F	1	49
		329781	43T2	DOUBLE POLE THERMOSTAT 50° - 90° F	1	55

4800 Series Register Style Fan Forced Wall Heater - With Wall Box



Features

- Units have white powder coat finish.
- Powder coated 20 gauge steel front.
- Manual reset thermal limit.
- Finned tubular steel element.
- Propeller style fan blade - 2200 RPM / 70 CFM.
- Rough in dimensions: 14-1/2" Wide x 7-1/8" High x 3-1/2" Deep.
- Grill dimensions: 16-3/4" Wide x 7-5/8" High.
- Unit not approved for ceiling mount applications.
- Left discharge only. / Weight: 9lbs
- Made in U.S.A.

Standard Models

UPC# 686334	MODEL	VOLTS	WATTS	MAX BTU'S	AMPS	LIST
DOUBLE POLE IN-BUILT THERMOSTAT (50° - 90° F TEMPERATURE RANGE)						
328159	F4820T2RPW	208	2000	6826	9.6	272
328166	HF4875T2RPW	240/208	750 / 562	2560 / 1920	3.1 / 2.7	
328173	HF4810T2RPW		1000 / 750	3413 / 2560	4.2 / 3.6	
328180	HF4815T2RPW		1500 / 1125	5120 / 3840	6.3 / 5.4	
328197	HF4820T2RPW		2000 / 1500	6826 / 5120	8.3 / 7.2	
SINGLE POLE IN-BUILT THERMOSTAT (50° - 90° F TEMPERATURE RANGE)						
328203	E4875TRPW	120	750	2560	6.25	255
328210	E4810TRPW		1000	3413	8.33	
328227	E4815TRPW		1500	5120	12.5	
328234	F4820TRPW	208	2000	6826	9.6	
NO IN-BUILT THERMOSTAT						
328241	E4875RPW	120	750	2560	6.25	233
328258	E4810RPW		1000	3413	8.33	
328265	E4815RPW		1500	5120	12.5	
328272	F4820RPW	208	2000	6826	9.6	
328289	HF4875RPW	240/208	750 / 562	2560 / 1920	3.1 / 2.7	
328296	HF4810RPW		1000 / 750	3413 / 2560	4.2 / 3.6	
328302	HF4815RPW		1500 / 1125	5120 / 3840	6.3 / 5.4	
328319	HF4820RPW		2000 / 1500	6826 / 5120	8.3 / 7.2	

Accessories

UPC# 686334	MODEL	DESCRIPTION	WT. (LBS)	LIST
328456	4300EX8W	1" SEMI RECESSING EXTENDER	2	46
328463	4300EX16W	2" SEMI RECESSING EXTENDER	3	49
328470	4300EX32W	4" SURFACE MOUNTING FRAME	4	52
328487	4300PW	WALL PLATE ADAPTOR (OD 21.5" x 12.25")	1	33
329774	43T	SINGLE POLE THERMOSTAT 50° - 90° F	1	49
329798	48T2	DOUBLE POLE THERMOSTAT 50° - 90° F	1	52

3900 Series Hydronic Electric Baseboard Heater



- Permanent mount self contained unit.
- Heating elements are immersed in a heat transferring liquid enclosed by a Copper tube casing with Aluminum fins.
- Powder coated 12 gauge heavy duty extruded Aluminum housing with junction boxes located on each end of the unit.
- Automatic linear limit.
- Wire guard extends along the entire outlet area of the baseboard.
- Commercial Brown unit has in-built wireway.
- Special colors available, consult factory.
- Suitable for high altitude applications.
- 1 Year element warranty.
- Made in U.S.A.

Standard Models

STANDARD WHITE		COMMERCIAL BROWN		WATTS	BTU's.	VOLTS	AMPS	HEATER LENGTH (IN.)	WT. (LBS)	WHITE LIST	BROWN LIST
UPC#	MODEL	UPC#	MODEL								
686334		686334									
111416	E3904-28	111645	E3904-28C	400	1360	120	3.3	28	16	361	384
111423	F3904-28	111652	F3904-28C	400	1360	208	1.92				
111430	H3904-28	111669	H3904-28C	400/300	1360/1024	240/208	1.6/1.4				
111447	G3904-28	111676	G3904-28C	400/300	1360	277/240	1.4				
111454	E3906-36	111683	E3906-36C	600	2048	120	5	36	22	414	439
111461	F3906-36	111690	F3906-36C	600	2048	208	2.9				
111478	H3906-36	111706	H3906-36C	600/450	2048/1536	240/208	2.5/2.2				
111485	G3906-36	111713	G3906-36C	600/450	2048	277/240	2.2				
111492	E3910-48	111720	E3910-48C	1000	3413	120	8.3	48	27	482	510
111508	F3910-48	111737	F3910-48C	1000	3413	208	4.8				
111515	H3910-48	111744	H3910-48C	1000/750	3413/2560	240/208	4.2/3.6				
111522	G3910-48	111751	G3910-48C	1000/750	3413	277/240	3.6				
111539	E3912-60	111768	E3912-60C	1250	4265	120	10.4	60	33	547	596
111546	F3912-60	111775	F3912-60C	1250	4265	208	6				
111553	H3912-60	111782	H3912-60C	1250/938	4265/3201	240/208	5.2/4.5				
111560	G3912-60	111799	G3912-60C	1250/938	4265	277/240	3.6				
111577	E3915-72	111805	E3915-72C	1500	5100	120	12.5	72	41	615	659
111584	F3915-72	111812	F3915-72C	1500	5100	208	7.2				
111591	H3915-72	111829	H3915-72C	1500/1125	5100/3825	240/208	6.3/5.4				
111607	G3915-72	111836	G3915-72C	1500/1125	5100	277/240	5.4				
111614	F3920-96	111842	F3920-96C	2000	6826	208	9.6	96	58	731	786
111621	H3920-96	111850	H3920-96C	2000/1500	6826/5100	240/208	8.3/7.2				
111638	G3920-96	111867	G3920-96C	2000/1500	6826	277/240	7.2				

Product Specifications & Dimensions

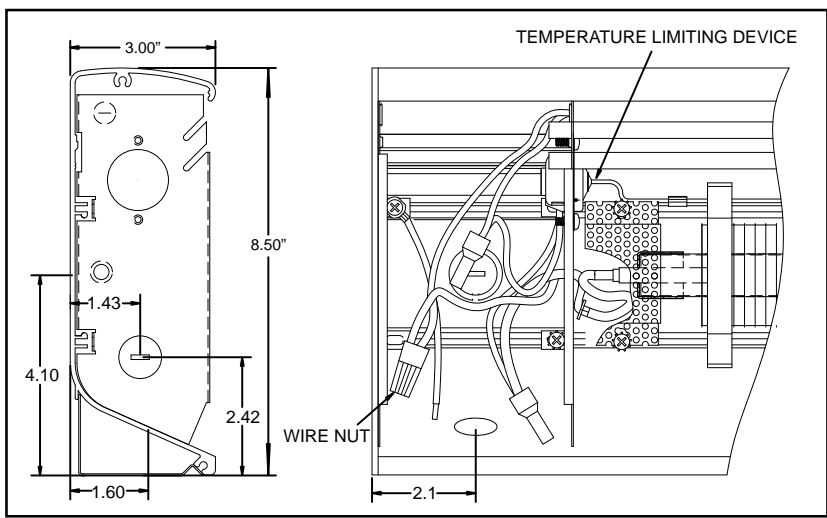
The entire heater casing shall be constructed of 6063 extruded Aluminum. minimum thickness of .100" (12 gauge) Aluminum shall be acceptable. Outlet grill shall cover entire length of air discharge opening and be constructed of steel. All casing and grill construction shall be painted with high quality durable powder coated paint.

The heating element shall be high quality Nichrome wire encased in Magnesium Oxide and sealed in copper tube. The heating element shall be sealed in .312" diameter Copper tube and be immersed in heat transfer liquid. Aluminum fins shall be mechanically bonded to the entire heated length of the element for even heat transfer.

Linear automatic thermal limit shall extend the entire heater length of element and protect heater in case of an over-temperature condition.

Optional controls shall be mounted in junction box enclosures at either end of heater. Optional integral thermostat shall be located in junction box with adjustment knob or for tamper-proof operation. Optional disconnect switch shall be mounted in junction box. Optional 120 Volt or air conditioning receptacle shall be mounted in junction box.

Optional installation accessories shall include inside and outside corner sections for complete wall perimeter fit. Profile of corners and grill shall have appearance of heat sections for continuous architectural design. Corner accessories and heater sections shall be secured by alignment pins for easy alignment of multiple heater applications.



3700 Series Architectural Style Electric Baseboard Heater

- Available in white or brown with stainless steel heating element and aluminum fins.
- Powder coated 12 gauge heavy duty extruded Aluminum housing construction with junction boxes located on each end of the unit.
- An automatic thermal linear limit is used along the entire heated length of the unit.
- Wire guard extends along the entire outlet area of the baseboard.
- Special colors available, consult factory.
- Made in U.S.A.



Standard Models

Product Specifications

STANDARD WHITE		COMMERCIAL BROWN		WATTS	BTU's	VOLTS	AMPS	HEATER LENGTH (IN.)	WT. (LBS)	WHITE LIST	BROWN LIST
UPC# 686334	MODEL	UPC# 686334	MODEL								
116008	E3703-024	116435	E3703-024B	375	1275	120	3.1	24	14	308	321
116015	F3703-024	116442	F3703-024B	375	1275	208	1.8				
116022	H3703-024	116459	H3703-024B	375 / 281	1275 / 955	240 / 208	1.6/1.4				
116039	G3703-024	116466	G3703-024B	375 / 281	1275 / 955	277 / 240	1.6/1.2	28	16	341	355
116046	E3705-028	116473	E3705-028B	500	1706	120	4.2				
116053	F3705-028	116480	F3705-028B	500	1706	208	2.4				
116060	H3705-028	116497	H3705-028B	500 / 375	1706 / 1275	240 / 208	2.1/1.8				
116077	G3705-028	116503	G3705-028B	500 / 375	1706 / 1275	277 / 240	1.8/1.6	36	22	394	408
116084	E3706-036	116510	E3706-036B	600	2040	120	5				
116091	F3706-036	116527	F3706-036B	600	2040	208	2.9				
116107	H3706-036	116534	H3706-036B	600 / 450	2040 / 1530	240 / 208	2.5/2.2				
116114	G3706-036	116541	G3706-036B	600 / 450	2040 / 1530	277 / 240	2.2/1.9				
116121	E3707-040	116558	E3707-040B	750	2550	120	6.3	40	27	401	415
116138	F3707-040	116565	F3707-040B	750	2550	208	3.6				
116145	H3707-040	116572	H3707-040B	750 / 563	2550 / 1914	240 / 208	3.1/2.7				
116152	G3707-040	116589	G3707-040B	750 / 563	2550 / 1914	277 / 240	2.7/2.6				
116169	E3710-048	116596	E3710-048B	1000	3413	120	8.3	48	31	415	428
116176	F3710-048	116602	F3710-048B	1000	3413	208	4.8				
116183	H3710-048	116619	H3710-048B	1000 / 750	3413 / 2550	240 / 208	4.2/3.6				
116190	G3710-048	116626	G3710-048B	1000 / 750	3413 / 2550	277 / 240	3.6/3.1				
116206	G3707-048	116633	G3707-048B	750	2550	277	3.4				
116213	E3712-060	116640	E3712-060B	1250	4250	120	10.4	60	33	542	556
116220	F3712-060	116657	F3712-060B	1250	4250	208	6				
116237	H3712-060	116664	H3712-060B	1250 / 938	4250 / 3189	240 / 208	5.2/4.5				
116244	G3712-060	116671	G3712-060B	1250 / 938	4250 / 3189	277 / 240	4.5/3.9				
116251	G3709-060	116688	G3709-060B	938	3189	277	3.4				
116268	E3715-072	116695	E3715-072B	1500	5100	120	12.5	72	41	607	622
116275	F3715-072	116701	F3715-072B	1500	5100	208	7.2				
116282	H3715-072	116718	H3715-072B	1500 / 1125	5100 / 3825	240 / 208	6.3/4.7				
116299	G3715-072	116725	G3715-072B	1500 / 1125	5100 / 3825	277 / 240	5.4/4.7				
116305	G3711-072	116732	G3711-072B	1125	3825	277	4.1				
116312	F3717-084	116749	F3717-084B	1750	5950	208	8.4	84	49	681	695
116329	H3717-084	116756	H3717-084B	1750 / 1313	5950 / 4464	240 / 208	7.3/6.3				
116336	G3717-084	116763	G3717-084B	1750 / 1313	5950 / 4464	277 / 240	6.3/5.5				
116343	G3713-084	116770	G3713-084B	1313	4464	277	4.7				
116350	F3720-096	116787	F3720-096B	2000	6826	208	9.6	96	58	719	741
116367	H3720-096	116794	H3720-096B	2000 / 1500	6826 / 5100	240 / 208	8.3/7.2				
116374	G3720-096	116800	G3720-096B	2000 / 1500	6826 / 5100	277 / 240	7.2/6.3				
116381	G3715-096	116817	G3715-096B	1500	5100	277	5.4				
116398	F3725-120	116824	F3725-120B	2500	8532	208	12	120	67	809	821
116404	H3725-120	116831	H3725-120B	2500 / 1875	8532 / 6375	240 / 208	10.4/9.0				
116411	G3725-120	116848	G3725-120B	2500 / 1875	8532 / 6375	277 / 240	9.0/7.8				
116428	G3718-120	116855	G3718-120B	1875	6375	277	6.8				

The entire heater casing shall be constructed of 6063 extruded Aluminum. Minimum thickness of .100" (12 gauge) Aluminum shall be acceptable. Outlet grill shall cover entire length of air discharge opening and be constructed of steel. All casing and grill construction shall be painted with high quality durable powder coated paint.

The heating element shall be high quality nichrome wire encased in Magnesium Oxide and sealed in a stainless steel tube.

Linear automatic thermal limit shall extend the entire heater length of element and protect heater in case of an over-temperature condition.

Optional controls shall be mounted in junction box enclosures at either end of heater. Optional integral thermostat shall be located in junction box with adjustment knob or for tamper-proof operation. Optional disconnect switch shall be mounted in junction box. Optional 120 Volt or air conditioning receptacle shall be mounted in junction box.

Optional installation accessories shall include inside and outside corner sections for complete wall perimeter fit. Profile of corners and grill shall have appearance of heat sections for continuous architectural design. Corner accessories and heater sections shall be secured by alignment pins for easy alignment of multiple heater applications.

Note: Refer to 3900 Series for product dimension specifications.
 Note: Please see page 60 for custom color availability - add 10% to net heater cost.

Hydronic & Architectural Electric Baseboard Heater Accessories

Field Installed Accessories

DESCRIPTION	Standard White		Commercial Brown		LIST
	UPC# 686334	MODEL	UPC# 686334	MODEL	
Single Pole, In-Built T-Stat, 22A @ 120-240V; 18A @ 277V; 50°-90° F	111874	3900T1	111959	3900T1C	65
Double Pole, In-Built T-Stat, 22A @ 120-240V; 18A @ 277V; 50°-90° F	111881	3900T2	111966	3900T2C	83
Air Conditioning Receptacle Section, 20 Amp @ 125-277V	111898	3900AC	111997	3900ACC	76
120V. Receptacle Section, 15 Amp	111904	3900REC	112000	3900RECC	71
Disconnect Switch, 20 Amp @ 125-277VAC; DPST	111942	3900DS	112048	3900DSC	104

Baseboard Sections



OUTSIDE CORNER

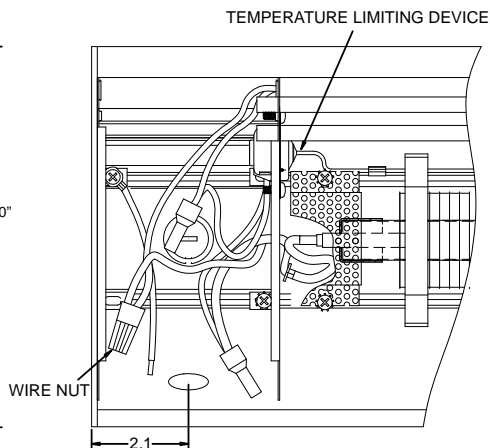
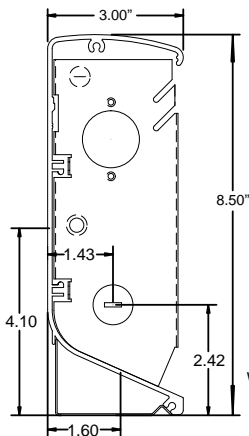


INSIDE CORNER

Outside and inside corner sections are 6" on longest side

STANDARD WHITE		COMMERCIAL BROWN		DESCRIPTION		LIST
UPC# 686334	MODEL	UPC# 686334	MODEL	SECTION	SIZE	
112154	39BS28	112215	39BS28C	Blank Section	28"	226
112161	39BS36	112222	39BS36C		36"	269
112178	39BS48	112239	39BS48C		48"	333
112185	39BS60	112246	39BS60C		60"	399
112192	39BS72	112253	39BS72C		72"	460
112208	39BS96	112260	39BS96C		96"	592
115094	39BS120	115100	39BS120C		120"	789
111911	3900-ICS	112017	3900-ICSC	Inside Corner	-	130
111928	3900-OCS	112024	3900-OCSC	Outside Corner	-	132
111935	3900-CS	112031	3900-CSC	Control Section	4" Blank	165

Dimension



Wireway Covers (White Units Only)

UPC# 686334	MODEL	LENGTH	WT. (LBS)	LIST
112284	3900WW28	28"	2	50
112291	3900WW36	36"	2.5	55
112307	3900WW48	48"	3.5	66
112314	3900WW60	60"	4.5	72
112321	3900WW72	72"	5.5	77
112338	3900WW96	96"	7.5	101
115117	3900WW120	120"	7.5	136

2900HA Series Electric Baseboard - High Altitude Convection Heater



Features

- Available in white or ivory with Aluminum heating element and Aluminum fins.
- Painted 22 gauge steel front with 20 gauge junction boxes located on each end of the heater - junction boxes contain quick connect cable clamps and 6" ground lead wires.
- Over-temperature thermal limit extends entire length of heated area.
- A full length wireway provided along the back of the heater.
- Optional enclosed conduit wireway available.
- Heater can be mounted to the wall by using the key hole knockouts every 4" at the back of the heater.
- Optional In-Built thermostats field installed in the junction box.
- Ivory available with extended lead times, consult factory.
- Made in U.S.A. • Height: 6" • Depth: 2-1/2"

Standard Models

UPC# 686334	WHITE MODEL	WATTS	BTU's	VOLTS	AMPS	HEATER LENGTH (IN)	WT. (LBS)	LIST
101226	E2903-024HAW	375	1275	120	3.1	24	5	64
101233	F2903-024HAW	375	1275	208	1.8			
101240	H2903-024HAW	375 / 281	1275 / 955	240 / 208	1.6/1.4			
101257	G2903-024HAW	375 / 281	1275 / 955	277 / 240	1.6/1.2	28	6	66
101264	E2905-028HAW	500	1706	120	4.2			
101271	F2905-028HAW	500	1706	208	2.4			
101288	H2905-028HAW	500 / 375	1706 / 1275	240 / 208	2.1/1.8	36	7	74
101295	G2905-028HAW	500 / 375	1706 / 1275	277 / 240	1.8/1.6			
101301	E2906-036HAW	600	2040	120	5			
101318	F2906-036HAW	600	2040	208	2.9	40	8	77
101325	H2906-036HAW	600 / 450	2040 / 1530	240 / 208	2.5/2.2			
101332	G2906-036HAW	600 / 450	2040 / 1530	277 / 240	2.2/1.9			
101349	E2907-040HAW	750	2550	120	6.3	48	10	92
101356	F2907-040HAW	750	2550	208	3.6			
101363	H2907-040HAW	750 / 563	2550 / 1914	240 / 208	3.1/2.7			
101370	G2907-040HAW	750 / 563	2550 / 1914	277 / 240	2.7/2.6	60	12	115
101387	E2910-048HAW	1000	3413	120	8.3			
101394	F2910-048HAW	1000	3413	208	4.8			
101400	H2910-048HAW	1000 / 750	3413 / 2550	240 / 208	4.2/3.6	72	14	129
101417	G2910-048HAW	1000 / 750	3413 / 2550	277 / 240	3.6/3.1			
101424	G2907-048HAW	750	2550	277	3.4			
101431	E2912-060HAW	1250	4250	120	10.4	96	18	158
101448	F2912-060HAW	1250	4250	208	6			
101455	H2912-060HAW	1250 / 938	4250 / 3189	240 / 208	5.2/4.5			
101462	G2912-060HAW	1250 / 938	4250 / 3189	277 / 240	4.5/3.9	120	22	175
101479	G2909-060HAW	938	3189	277	3.4			
101486	E2915-072HAW	1500	5100	120	12.5			
101493	F2915-072HAW	1500	5100	208	7.2	80	22	205
101509	H2915-072HAW	1500 / 1125	5100 / 3825	240 / 208	6.3/4.7			
101516	G2915-072HAW	1500 / 1125	5100 / 3825	277 / 240	5.4/4.7			
101523	G2911-072HAW	1125	3825	277	4.1	120	31	227
101578	F2920-096HAW	2000	6826	208	9.6			
101585	H2920-096HAW	2000 / 1500	6826 / 5100	240 / 208	8.3/7.2			
101592	G2920-096HAW	2000 / 1500	6826 / 5100	277 / 240	7.2/6.3	120	22	175
101608	G2915-096HAW	1500	5100	277	5.4			
101653	F2925-120HAW	2500	8532	208	12			
101660	H2925-120HAW	2500 / 1875	8532 / 6375	240 / 208	10.4/9.0	120	22	175
101677	G2925-120HAW	2500 / 1875	8532 / 6375	277 / 240	9.0/7.8			
101684	G2918-120HAW	1875	6375	277	6.8			

2900A Series - International Models

UPC# 686334	WHITE MODEL	WATTS	BTU's	VOLTS	HEATER LENGTH (IN)	WT. (LBS)	LIST
115766	M2903-24AWi	375	1275	220	24"	10	84
115773	H2903-24AWi			240			
115780	M2905-28AWi	500	1706	220	28"	11	87
115977	H2905-28AWi			240			
115803	M2906-36AWi	600	2040	220	36"	11.5	96
115810	H2906-36AWi			240			
115827	M2907-40AWi	750	2550	220	40"	13	100
115834	H2907-40AWi			240			
115841	M2910-48AWi	1000	3413	220	48"	14	120
115858	H2910-48AWi			240			
115865	M2912-60AWi	1250	4250	220	60"	16	150
115872	H2912-60AWi			240			
115889	M2915-72AWi	1500	5100	220	72"	19	168
115896	H2915-72AWi			240			
115902	M2917-84AWi	1750	5950	220	80"	22	205
118002	H2917-84AWi			240			
118033	M2925-120AWi	2500	8532	220	120"	31	227
118040	H2920-120AWi			240			

Note: Wireway length is the same as baseboard length.

2900S Series Electric Baseboard - Stainless Steel Element Convection Heater



Features

- Available in white or ivory with stainless steel heating element and Aluminum fins.
- Painted 22 gauge steel front with 20 gauge junction boxes located on each end of the heater - junction boxes contain quick connect cable clamps and 6" ground lead wires.
- Over-temperature thermal limit extends entire length of heated area.
- A full length wireway provided along the back of the heater - enclosed conduit available.
- Heater can be mounted to the wall by using the key hole knockouts every 4" at the back of the heater.
- Optional In-Built thermostats field installed in the junction box.
- Height: 6" Depth: 2-1/2"
- Made in U.S.A.

Standard Models

UPC# 686334	IVORY MODEL	UPC# 686334	WHITE MODEL	WATTS	BTU's	VOLTS	AMPS	HEATER LENGTH (IN)	WT. (LBS)	LIST
104302	E2903-024S	104999	E2903-024SW	375	1275	120	3.1	24	5	62
104319	F2903-024S	105002	F2903-024SW	375	1275	208	1.8			
104326	H2903-024S	105019	H2903-024SW	375 / 281	1275 / 955	240 / 208	1.6/1.4			
104333	G2903-024S	105026	G2903-024SW	375 / 281	1275 / 955	277 / 240	1.6/1.2	28	6	64
104340	E2905-028S	105033	E2905-028SW	500	1706	120	4.2			
104357	F2905-028S	105040	F2905-028SW	500	1706	208	2.4			
104364	H2905-028S	105057	H2905-028SW	500 / 375	1706 / 1275	240 / 208	2.1/1.8	36	7	73
104371	G2905-028S	105064	G2905-028SW	500 / 375	1706 / 1275	277 / 240	1.8/1.6			
104388	E2906-036S	105071	E2906-036SW	600	2040	120	5			
104395	F2906-036S	105088	F2906-036SW	600	2040	208	2.9	40	8	75
104401	H2906-036S	105095	H2906-036SW	600 / 450	2040 / 1530	240 / 208	2.5/2.2			
104418	G2906-036S	105101	G2906-036SW	600 / 450	2040 / 1530	277 / 240	2.2/1.9			
104425	E2907-040S	105118	E2907-040SW	750	2550	120	6.3	48	10	90
104432	F2907-040S	105125	F2907-040SW	750	2550	208	3.6			
104449	H2907-040S	105132	H2907-040SW	750 / 563	2550 / 1914	240 / 208	3.1/2.7			
104456	G2907-040S	105149	G2907-040SW	750 / 563	2550 / 1914	277 / 240	2.7/2.6	60	12	111
104463	E2910-048S	105156	E2910-048SW	1000	3413	120	8.3			
104470	F2910-048S	105163	F2910-048SW	1000	3413	208	4.8			
104487	H2910-048S	105170	H2910-048SW	1000 / 750	3413 / 2550	240 / 208	4.2/3.6	72	14	127
104494	G2910-048S	105187	G2910-048SW	1000 / 750	3413 / 2550	277 / 240	3.6/3.1			
104500	G2907-048S	105194	G2907-048SW	750	2550	277	3.4			
104517	E2912-060S	105200	E2912-060SW	1250	4250	120	10.4	84	16	140
103008	F2912-060S	105217	F2912-060SW	1250	4250	208	6			
103015	H2912-060S	105224	H2912-060SW	1250 / 938	4250 / 3189	240 / 208	5.2/4.5			
103022	G2912-060S	105231	G2912-060SW	1250 / 938	4250 / 3189	277 / 240	4.5/3.9	96	18	155
103039	G2909-060S	105248	G2909-060SW	938	3189	277	3.4			
103046	E2915-072S	105255	E2915-072SW	1500	5100	120	12.5			
103053	F2915-072S	105262	F2915-072SW	1500	5100	208	7.2	120	22	169
103060	H2915-072S	105279	H2915-072SW	1500 / 1125	5100 / 3825	240 / 208	6.3/4.7			
103077	G2915-072S	105286	G2915-072SW	1500 / 1125	5100 / 3825	277 / 240	5.4/4.7			
103084	G2911-072S	105293	G2911-072SW	1125	3825	277	4.1	84	16	140
103091	F2917-084S	105309	F2917-084SW	1750	5950	208	8.4			
103107	H2917-084S	105316	H2917-084SW	1750 / 1313	5950 / 4464	240 / 208	7.3/6.3			
103114	G2917-084S	105323	G2917-084SW	1750 / 1313	5950 / 4464	277 / 240	6.3/5.5	96	18	155
103121	G2913-084S	105330	G2913-084SW	1313	4464	277	4.7			
103138	F2920-096S	105347	F2920-096SW	2000	6826	208	9.6			
103145	H2920-096S	105354	H2920-096SW	2000 / 1500	6826 / 5100	240 / 208	8.3/7.2	120	22	169
103152	G2920-096S	105361	G2920-096SW	2000 / 1500	6826 / 5100	277 / 240	7.2/6.3			
103169	G2915-096S	105378	G2915-096SW	1500	5100	277	5.4			
103213	F2925-120S	105422	F2925-120SW	2500	8532	208	12	120	22	169
103220	H2925-120S	105439	H2925-120SW	2500 / 1875	8532 / 6375	240 / 208	10.4/9.0			
103237	G2925-120S	105446	G2925-120SW	2500 / 1875	8532 / 6375	277 / 240	9.0/7.8			
103244	G2918-120S	105453	G2918-120SW	1875	6375	277	6.8			

2900C Series Electric Baseboard - Heavy Duty Commercial Convection Heater



Features

- Bankers bronze with stainless steel heating element and Aluminum fins.
- Powder coated 22 gauge steel front with 20 gauge junction boxes located on each end of the heater - junction boxes contain quick connect cable clamps and 6" ground lead wires.
- Standard inlet and outlet wire guards.
- Over-temperature thermal limit extends entire heated length of unit.
- A full length wireway provided along the back of the heater.
- Heater can be mounted to the wall by using the key hole knockouts every 4" at the back of the heater.
- Optional In-Built thermostats field installed in the junction box.
- Made in U.S.A. • Height: 6" Depth: 2-1/2"

Standard Models

UPC# 686334	BRONZE MODEL	WATTS	BTU's	VOLTS	AMPS	HEATER LENGTH (IN)	WT. (LBS)	LIST
103831	E2903-024C	375	1275	120	3.1	24	5	142
103848	F2903-024C	375	1275	208	1.8			
103855	H2903-024C	375 / 281	1275 / 955	240 / 208	1.6 / 1.4			
103862	G2903-024C	375 / 281	1275 / 955	277 / 240	1.6 / 1.2	28	6	177
103879	E2905-028C	500	1706	120	4.2			
103886	F2905-028C	500	1706	208	2.4			
103893	H2905-028C	500 / 375	1706 / 1275	240 / 208	2.1 / 1.8	36	7	201
103909	G2905-028C	500 / 375	1706 / 1275	277 / 240	1.8 / 1.6			
103916	E2906-036C	600	2040	120	5.0			
103923	F2906-036C	600	2040	208	2.9	40	8	211
103930	H2906-036C	600 / 450	2040 / 1530	240 / 208	2.5 / 2.2			
103947	G2906-036C	600 / 450	2040 / 1530	277 / 240	2.2 / 1.9			
103954	E2907-040C	750	2550	120	6.3	48	10	244
103961	F2907-040C	750	2550	208	3.6			
103978	H2907-040C	750 / 563	2550 / 1914	240 / 208	3.1 / 2.7			
103985	G2907-040C	750 / 563	2550 / 1914	277 / 240	2.7 / 2.6	60	12	291
103992	E2910-048C	1000	3413	120	8.3			
104005	F2910-048C	1000	3413	208	4.8			
104012	H2910-048C	1000 / 750	3413 / 2550	240 / 208	4.2 / 3.6	72	14	334
104029	G2910-048C	1000 / 750	3413 / 2550	277 / 240	3.6 / 3.1			
104036	E2912-060C	1250	4250	120	10.4			
104043	F2912-060C	1250	4250	208	6.0	84	16	371
104050	H2912-060C	1250 / 938	4250 / 3189	240 / 208	5.2 / 4.5			
104067	G2912-060C	1250 / 938	4250 / 3189	277 / 240	4.5 / 3.9			
104074	E2915-072C	1500	5100	120	12.5	96	18	410
104081	F2915-072C	1500	5100	208	7.2			
104098	H2915-072C	1500 / 1125	5100 / 3825	240 / 208	6.3 / 4.7			
104104	G2915-072C	1500 / 1125	5100 / 3825	277 / 240	5.4 / 4.7	120	22	431
104111	E2917-084C	1750	5950	120	8.4			
104128	F2917-084C	1750 / 1313	5950 / 4464	240 / 208	7.3 / 6.3			
104135	G2917-084C	1750 / 1313	5950 / 4464	277 / 240	6.3 / 5.5	18	22	431
104142	H2913-084C	1313	4464	277	4.7			
104159	F2920-096C	2000	6826	208	9.6			
104166	G2920-096C	2000 / 1500	6826 / 5100	240 / 208	8.3 / 7.2	120	22	431
104173	H2920-096C	2000 / 1500	6826 / 5100	277 / 240	7.2 / 6.3			
104180	E2925-120C	2500	8532	208	12.0			
104187	F2925-120C	2500 / 1875	8532 / 6375	240 / 208	10.4 / 9.0	120	22	431
104194	G2925-120C	2500 / 1875	8532 / 6375	277 / 240	9.0 / 7.8			
104203	H2918-120C	1875	6375	277	6.8			

International Models

UPC# 686334	BRONZE MODEL	WATTS	BTU's	VOLTS	AMPS	HEATER LENGTH (IN)	WT. (LBS)	LIST
118057	M2903-024CI	375	1275	220	1.7	24	5	142
118064	H2903-024CI			240	2.40			
118071	M2905-028CI	500	1706	220	2.3	28	6	177
118088	H2905-028CI			240	2.1			
118095	M2906-036CI	600	2040	220	2.7	36	7	201
118101	H2906-036CI			240	2.5			
118118	M2907-040CI	750	2550	220	3.4	40	8	211
118125	H2907-040CI			240	3.1			
118132	M2910-048CI	1000	3413	220	4.6	48	10	244
118149	H2910-048CI			240	4.2			
118156	M2912-060CI	1250	4250	220	5.7	60	12	291
118163	H2912-060CI			240	5.2			
118170	M2915-072CI	1500	5100	220	6.8	72	14	334
118187	H2915-072CI			240	6.3			
118194	M2917-084CI	1750	5950	220	8.0	84	16	371
118200	H2917-084CI			240	7.3			
118217	M2920-096CI	2000	6826	220	9.1	96	18	410
118224	H2920-096CI			240	8.3			
118231	M2925-120CI	2500	8532	220	11.4	120	22	431
118248	H2925-120CI			240	10.4			

Electric Baseboard - Accessories

In-Built Thermostat Kits

IVORY & WHITE		DESCRIPTION	WT. (LBS)	LIST
UPC# 686334	MODEL NUMBER			
105460	TBS	SPST-In-Built 22A @ 120-240V 18A @ 277V	1/2	42
105477	TBD	DPST-In-Built 22A @ 120-240V 18A @ 277V	1/2	55

*Junction box covers supplied with baseboard heater will work in conjunction with in-built thermostat kits.

Field Installed Accessories

DESCRIPTION	IVORY		WHITE		BANKERS BRONE		WT. (LBS)	LIST
	UPC# 686334	MODEL	UPC# 686334	MODEL	UPC# 686334	MODEL		
Disconnect Switch, 20 Amp, 120-277V	106108	DS	106115	DSW	106122	DSB	1	82
Corner Sections	105491	CS	105507	CSW	105514	CSB		36
1" Joiner Kits	105521	JK	105538	JKW	105545	JKB	1/4	25
6" Blank Relay Section (Relay Not Included)**	105552	LVRS	105569	LVRSW	105576	LVRSB	1 1/2	100
Receptacle Section (Baseboard Mounted) 15 Amp 120 VAC	105583	BDR115	105590	BDR115W	105606	BDR115B	1/4	25
Receptacle Section (Mounted in 6" Blank) 15 Amp 120 VAC	105613	DR115	105620	DR115W	105637	DR115B	2	116
Transfer Switch (Mounted in 6" Blank) 16 Amp 120 VAC	105644	SR120	105651	SR120W	105668	SR120B		146
Transfer Switch (Mounted in 6" Blank) 16 Amp 240 VAC	105675	SR220	105682	SR220W	105699	SR220B		178

**Not for use with 24A06G-1 relay.

Optional Wireway Covers

UPC# 686334	MODEL	BASEBOARD LENGTH (in.)	COVER LENGTH (in.)	WT. (LBS)	LIST
105705	WWA01	24	20	1	35
105712	WWA02	28	24	1.5	38
105729	WWA03	36	32	2	41
105736	WWA04	40	36	2.5	48
105743	WWA05	48	44	3	50
105750	WWA06	60	56	4	53
105767	WWA07	72	68	5	60
105774	WWA08	84	80	6	69
105781	WWA09	96	92	7	79
105798	WWA00	120	116	8	96

Blank Sections

LENGTH	IVORY		WHITE		BANKERS BRONZE		WT. (LBS)	IVORY WHITE LIST	BRONZE LIST
	UPC#	MODEL	UPC#	MODEL	UPC#	MODEL			
24"	105804	BBS024A	105903	BBS024AW	106009	BBS024C	5	55	113
28"	105811	BBS028A	105910	BBS028AW	106016	BBS028C	5 1/2	60	123
36"	105828	BBS036A	105927	BBS036AW	106023	BBS036C	6	73	142
40"	105835	BBS040A	105934	BBS040AW	106030	BBS040C	7	78	150
48"	105842	BBS048A	105941	BBS048AW	106047	BBS048C	8	88	154
60"	105859	BBS060A	105958	BBS060AW	106054	BBS060C	10	105	213
72"	105866	BBS072A	105965	BBS072AW	106061	BBS072C	12	126	234
84"	105873	BBS084A	105972	BBS084AW	106078	BBS084C	15	133	266
96"	105880	BBS096A	105989	BBS096AW	106085	BBS096C	17	155	298
120"	105897	BBS120A	105996	BBS120AW	106092	BBS120C	20	189	375

9100 Series - Radius Front Draft Barrier Heater

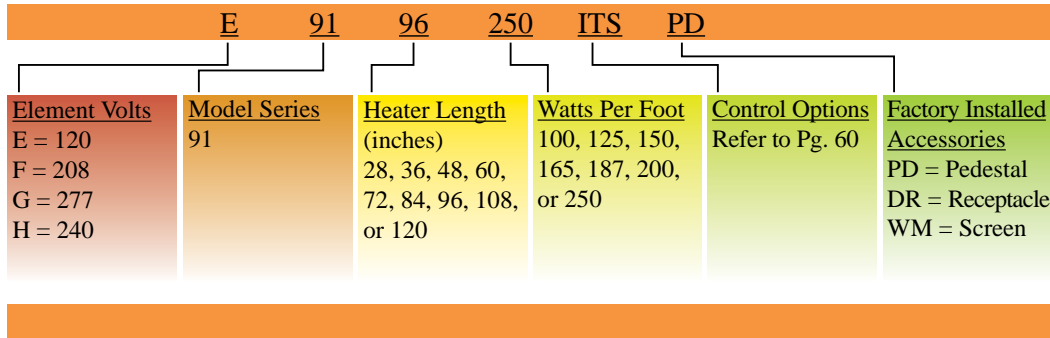
ETL listed up to 250 Watts / foot for industrial, commercial, or residential applications.



Features

- Standard color: Bankers Bronze.
- “UNI-LOCK” construction allows snap-fit, 2 piece installation.
- Units can be controlled by optional In-Built thermostat or can be constructed with relays and / or transformers for low voltage or line voltage wall thermostats
- Thermal protection by full length manual reset linear limits
- Optional duplex receptacle section
- Wiring junction boxes on each end of the unit
- Custom colors and finishes available (consult factory)
- Limited by max Amp draw of 25 Amps (with no controls).
- Additional charges may be incurred if changes are made after production has begun - consult factory.
- Made in U.S.A.

HOW TO DESIGNATE A MODEL:



Product Description

TECHNICAL INFORMATION	
Air Intake	Bottom
Air Discharge	Top
Min Mounting Height	3"
Max Watts / Foot	250
Max Allowable Amps	25 Amps (20 Amps with disconnect)
Voltage / Phase	120V/208V/240V/277V Single Phase

TECHNICAL INFORMATION	
Height	4 1/2"
Depth	3 1/8"
Length	28" to 120" in 1" increments
Cabinet Material	Aluminum
Gauge	14
Optional Controls That Can Be Built Into Unit	Thermostat and Disconnect Switch (Control Section Required for Relays)

Standard Models

MODEL	UNIT LENGTH	LIST	FINISHED BACK ADDER
9128	28"	307	41
9136	36"	354	48
9148	48"	406	51
9160	60"	473	57
9172	72"	540	61
9184	84"	623	72
9196	96"	680	79
91108	108"	750	92
91120	120"	821	103

MODEL	UNIT LENGTH	LIST	FINISHED BACK ADDER
91BS012	12"	86	36
91BS024	24"	116	41
91BS036	36"	149	48
91BS048	48"	180	51
91BS060	60"	211	57
91BS072	72"	245	61
91BS084	84"	298	72
91BS096	96"	307	79
91BS108	108"	339	92
91BS120	120"	370	103

Factory Installed Accessories

SUFFIX	DESCRIPTION	LIST
DR	Duplex Receptacle in 4" Extended Enclosure (not available with 120" heater)	197
PD	28" through 60" - 2 Required	131
	72" through 96" - 3 Required	196
	108" through 120" - 4 Required	261
WM	1/4" wire mesh under grill	\$7.00 Per foot

Field Installed Accessories

MODEL	DESCRIPTION	LIST
9100IC	Inside Corner Section 90° or 135°	189
9100OC	Outside Corner Section 90° or 135°	
9100EC	Right or Left End Cap	65

Note: All models are suitable for International use
 Note: Extended enclosure per foot is 33 dollars.

9100 Series - Radius Front Draft Barrier Heater

Product Specifications

CABINET

9100 Series shall be constructed of 14 gauge extruded 6063 Aluminum heat treated to T5 hardness. The uni-lock construction shall allow easy installation and access to back plate for wiring. The snap-fit front cover makes installation and service very simple. Custom factory enclosures to 1/16 inch increments are built for exact wall to wall fit up to 10 foot enclosure lengths. The 14 gauge back plate will have electrical knockouts for incoming power on each end adjacent to junction box. Pedestal mounted units will have incoming power connection through the pedestal on bottom of unit and will have smooth back for optional finished back. The die punched front cover will have no screw heads or fasteners.

ELEMENTS

High mass sheathed element construction with Nickel-Chromium resistance wire embedded in compacted efficient die-electric to ensure proper heat transfer. Aluminum fins mechanically bonded to stainless steel tube allows for increased surface area and even heat transfer.

LIMIT CONTROLS

Manual reset hydraulic thermal overload covers full length of heating element and shuts down heater when safe operating temperatures are exceeded.

WIRING

Wiring shall be in either end of the enclosure. Wiring can be in the junction box or optional control section if additional controls are needed. Pedestal mounted units shall have 1-1/4" hole through the pedestal and in the bottom of the enclosure for incoming power wiring. All heaters have a factory supplied built in raceway for wiring from either end of the heater or for wiring of continuous heater connections.

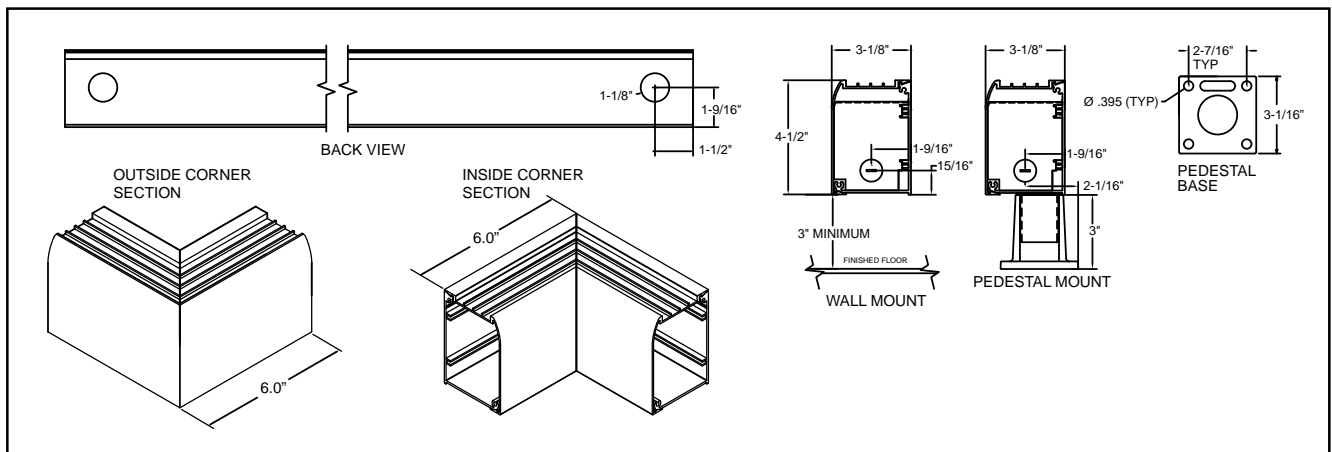
CONTROLS

Optional controls include single or double pole thermostat and disconnect switch that are factory wired in enclosed junction box on each end of heater enclosure. Relay, transformer relay and duplex receptacle options shall be mounted in extended length control section. **Control section will add to heater enclosure length.** The control section for the duplex receptacle will add 4" to enclosure length. The control section for other optional components or combinations of components will have two options (6" or 12") depending on controls required.

APPLICATION

The 9100 series is ETL listed for commercial, industrial or residential applications on all units up to 250 Watts per foot.

Product Dimensions



9300 Series - Radius Front Draft Barrier Heater

ETL listed up to 750 Watts / foot for industrial or commercial applications.



Features

- LEED and green compliance, 1 and 3 phase applications
- Industrial or commercial applications
- Standard color: Bankers Bronze (powder coated)
- Also available in other standard TPI colors and custom colors for an additional charge
- Uni-lock construction for snap fit 2 piece installation
- Temperature control can be in-built or wall mounted
- Thermal protection by full length manual reset linear limits
- Optional accessories include: duplex receptacle, and inside or outside corner sections for wall to wall custom fit.
- Additional charges may be incurred if changes are made after production has begun - consult factory.
- Made in U.S.A.

HOW TO DESIGNATE A MODEL:

E		93	96	B	250	3	ITS	PD
Element Volts F = 208 H = 240 G = 277 L = 347 P1 = 480 U1 = 600	Model Series 93	Heater Length (inches) 28, 36, 48, 60, 72, 84, 96, 108, or 120	Inlet B = Bottom F = Front	Watts Per Foot Per Element 100, 125, 150, 165, 187, 200, or 250	# of Elements 1, 2, or 3	Control Options Refer to Pg. 60 of TPI Heat catalog.	Factory Installed Accessories PD = Pedestal DR = Receptacle WM = Screen	
Single Phase								
J = 208 K = 240 P3 = 480 U3 = 600	Three Phase							

Note: 480V single phase units minimum 36" heated length; 600V single phase units minimum 48" heated length
347-480-600 single phase and all three phase units are built with low voltage option factory installed

Product Description

TECHNICAL INFORMATION		TECHNICAL INFORMATION	
Air Intake	Bottom / Front	Height	7.5"
Air Discharge	Top	Depth	6.15"
Min Mounting Height	3" for bottom intake / 0" for front intake	Length	28" to 120" in 1' increments
Max Watts / Foot	750	Cabinet Material	Aluminum
Max Allowable Amps	25 without relay, 40 with relay	Material Gauge	12
Voltage / Phase	208V/240V/277V/347V,480V,600V Single Phase 208V,240V,480V,600V Three Phase	Optional Controls That Can Be Built Into Unit	Thermostat, Disconnect Switch, Transformer (Control Section Required for Relays)

Standard Models

MODEL	UNIT LENGTH	LIST	FINISHED BACK ADDER	MODEL	UNIT LENGTH	LIST	FINISHED BACK ADDER		
Heater	9328	28"	800	63	Blank Section	93BS012	12"	328	58
	9336	36"	841	69		93BS024	24"	385	63
	9348	48"	948	74		93BS036	36"	432	69
	9360	60"	1053	79		93BS048	48"	500	74
	9372	72"	1130	84		93BS060	60"	559	79
	9384	84"	1209	90		93BS072	72"	604	84
	9396	96"	1275	95		93BS084	84"	663	90
	93108	108"	1337	100		93BS096	96"	721	95
	93120	120"	1424	105		93BS108	108"	779	100
						93BS120	120"	836	105

Factory Installed Accessories

SUFFIX	DESCRIPTION	LIST
DR	Duplex Receptacle in 4" Extended Enclosure (not available with 120" heater)	146
PD	28" through 60" - 2 Required	146
	72" through 96" - 3 Required	221
	108" through 120" - 4 Required	292
WM	1/4" wire mesh under grill	\$5.00 Per foot
IDS30	30 Amp/240V Disconnect Switch	74
IDS40	40 Amp/600V Disconnect Switch	74

Note: If using line voltage thermostat on 1 phase heaters, you cannot exceed 25 Amps due to Amp rating of thermostat. 347, 480, and 600V can use 30 Amps with in-built thermostat.

Field Installed Accessories

MODEL	DESCRIPTION	LIST
9300IC	Inside Corner Section 90° or 135°	235
9300OC	Outside Corner Section 90° or 135°	
9300EC	Right or Left End Cap	90

Note: All models are suitable for International use
Note: Extended enclosure per foot is 100 dollars.

9300 Series - Radius Front Draft Barrier Heater

Product Specifications

CABINET

9300 Series shall be constructed of 12 gauge extruded 6063 Aluminum heat treated to T5 hardness. The uni-lock construction shall allow easy installation and access to back plate for wiring. The snap-fit front cover makes installation and service very simple. Custom factory enclosures to 1/16 inch increments are built for exact wall to wall fit up to 10 foot enclosure lengths. The 12 gauge back plate will have electrical knockouts for incoming power on each end adjacent to junction box. Pedestal mounted units will have incoming power connection through the pedestal on bottom of unit and will have smooth back for optional finished back. The die punched front cover will have no screw heads or fasteners.

ELEMENTS

High mass sheathed element construction with Nickel-Chromium resistance wire embedded in compacted efficient die-electric to ensure proper heat transfer. Aluminum fins mechanically bonded to stainless steel tube allows for increased surface area and even heat transfer.

LIMIT CONTROLS

Manual reset hydraulic thermal overload covers full length of heating element and shuts down heater when safe operating temperatures are exceeded.

WIRING

Wiring shall be in either end of the enclosure. Wiring can be in the junction box or optional control section if additional controls are needed. Pedestal mounted units shall have 1-1/4" hole through the pedestal and in the bottom of the enclosure for incoming power wiring. All heaters have a factory supplied built in raceway for wiring from either end of the heater or for wiring of continuous heater connections.

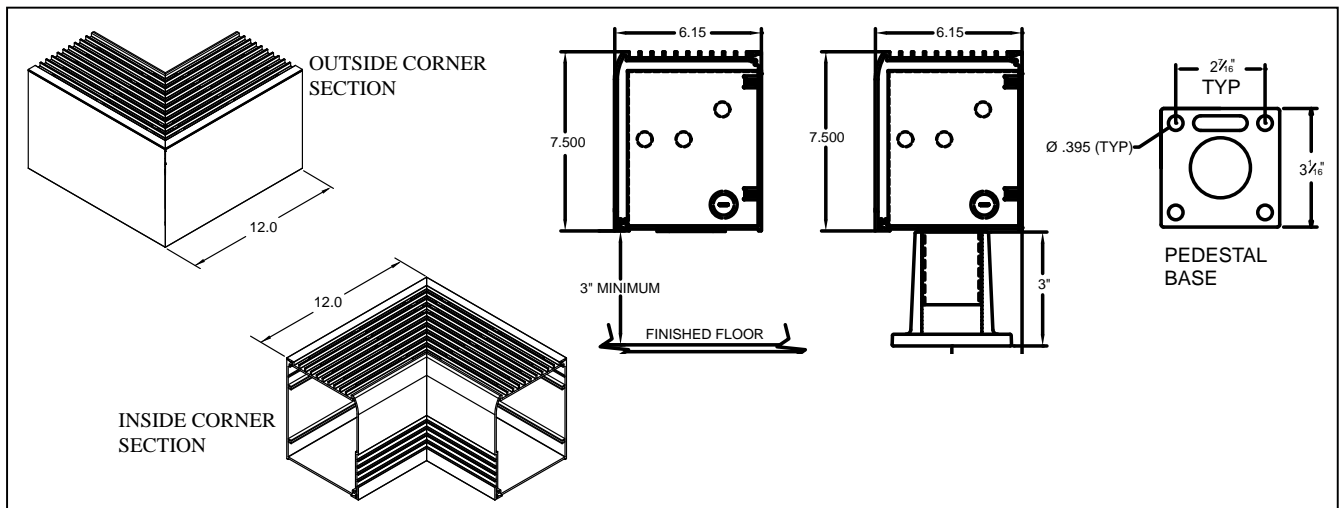
CONTROLS

Optional controls include single or double pole thermostat and disconnect switch that are factory wired in enclosed junction box on each end of heater enclosure. **If necessary, control section will add to heater enclosure length.** The control section for other optional components or combinations of components will have two options (6" or 12") depending on controls required.

APPLICATION

The 9300 series is ETL listed for commercial or industrial applications on all units up to 750 Watts per foot on all units. 3 Phase units have a minimum of 300 Watts per foot.

Product Dimensions



Draft Barrier Heaters - General Product Information

All Draft Barrier Heaters, unless otherwise noted, are build to order items. Consult factory for lead times. Additional charges may be incurred if changes are made after production has begun - consult factory.

Electric Draft Barrier Features

- “UNI-LOCK” construction allows snap-fit, 2 piece installation
- Heavy Gauge Aluminum Extruded enclosures, 6063 heat treated to T-5 hardness
 - a. DBT/DBF & RDBT-PD-12 gauge front & back
 - b. DBCT/DBCF- 10 gauge Front & Back
 - c. CB-14 gauge Front & Back
- ASHDB Series is 16 gauge Steel Front with 18 Steel gauge back
- 1/4” pencil proof discharge louvers
- Thermal protection by full length linear limits
- Multiple heaters, factory wired on same back plate, available in up to 10’ lengths
- Totally enclosed junction boxes
- Custom colors and finishes available (See Chart)
- Enclosures available for hydronic heating coils (consult factory for more information)

How To Designate A Model

DIGIT	(EXAMPLE)	MODEL NUMBER DESIGNATION - “ASI” DRAFT BARRIER
Digit 1=	DBT	Series Model Number (DBT/DBF, CB, Etc.)
Digit 2=	PD	Use if Pedestals are Required* 2’ to 5’ Heaters require 2 pedestals 6’ to 8’ Heaters require 3 pedestals 9’ & 10’ Heaters require 4 pedestals
Digit 3=	4	Heated Length of Heater (for extended enclosure, specify amount of required enclosure on order write up, IE: 4’ Heated length w/ 2’6” of extended enclosure)
Digit 4=	250	Wattage per Linear foot (may not exceed allowable wattages on specific models, refer to catalogue page to verify maximum WPF)
Digit 5=	ITS (etc)	Control Options ; Refer to List Price chart for available options (Verify on each model which options may be factory installed)

Completed example: DBT-PD-4250-ITS

NOTE:

- Extended enclosures and Blank Sections are NOT punched. When a Control Section is specified, ALWAYS allow for an extended enclosure to compensate for the 6” or 12” length of the Section required.
- Note on order when finished backs are required and add list adder to model list.
- **Total heater amperage must not exceed the 25-Amp rating of the high temperature limit at any voltage or wattage. This applies to all Sill Line Model Series.**

Voltage & Wattage Specification

VOLTAGE	STANDARD WATTAGES PER FOOT	HEATER LENGTHS
120-277	100, 125, 150, 165, 187, 200, 250*, 300, 333*, 375*	2’ through 10’

*Units with Extended Enclosures may require more Pedestals than standard length, must verify length of heater after extended enclosures for total amount of pedestals. NOTE: All bottom inlet units must be mounted a minimum of 3 inches above finished floor.

Dual element models DBCT/DBCF and ASHDB. All elements are single phase. Consult factory for more information.

Control Options

SUFFIX DESIGNATION	DESCRIPTION	LIST ADDER
CS 6	6” control section / will contain up to 2 control options	51
CS 12	12” control section / will contain up to 3 control options	
ITS	Single Pole, 25 Amp integral thermostat, 120,208,240 & 277 Volts	74
ITD	Double Pole, 25 Amp integral thermostat, 120,208,240 & 277 Volts	80
IDS	Double Pole Disconnect, 20 Amp, 120, 208, 240 & 277 Volts	74
IDS 30	30 Amp disconnect (9300 Series)	100
IDS 40	40 Amp disconnect (9300 Series)	100
LVTR	Low voltage controls (trans & relay) (9300 Series)	210
PR 120-277/24	Power Relay, 18 Amp tested, Must specify coil voltage Single Pole	100
PR 120-277/120		
PR 120-277/240		
ATR*	Single Pole, rated 25 Amps, 120 to 240 Volts, Contacts rated up to 277 Volts (must specify) Coils are 24 Volt; 24 Volt transformer	318

* Not suitable for international use

Note: Please refer to each model to verify how many controls may be integrally mounted, Control sections will add length to the heater. Must use control section with PR 240/24, PR 208/24, 208/208 and ATR

Note: If using line voltage thermostat on single phase heaters you cannot exceed 25 Amps due to Amp rating of thermostat. 347, 480, and 600V models can use up to 30 Amps with in-built thermostat.

CUSTOM PAINT COLORS

Durable Powder Coat Paint Finish

COLOR	SIZE	LIST
Bankers Bronze (Standard)		---
Eggshell White	Under 100 feet	101
Black		
Gray		
Beige		
Simulated Bronze or Clear Anodized		
Special Colors 5lb Increment - Consult Factory		

DBF / DBT Series



DBT Wall Mount
Model-300 WPF Max.



DBF Floor Mount
Model-250 WPF Max.

Cabinet Dimensions: 3-1/2" x 6" x 10' Maximum Length
Made in U.S.A.

**Not suitable for residential applications. Built to order:
consult factory for lead time.**

MODEL	LENGTH	LIST	
		PAINTED BRONZE	
		HEATER	FINISHED BACK ADDER
DBF-2/DBT-2	2'	345	42
DBF-3/DBT-3	3'	406	58
DBF-4/DBT-4	4'	476	53
DBF-5/DBT-5	5'	561	59
DBF-6/DBT-6	6'	684	66
DBF-7/DBT-7	7'	764	78
DBF-8/DBT-8	8'	844	82
DBF-9/DBT-9	9'	934	95
DBF-10/DBT-10	10'	1010	103
Extended Enclosure per foot		51	
BLANK SECTION			
DBF/DBT-100BS	1'	107	38
DBF/DBT-200BS	2'	161	42
DBF/DBT-300BS	3'	211	50
DBF/DBT-400BS	4'	261	53
DBF/DBT-500BS	5'	312	59
DBF/DBT-600BS	6'	362	66
DBF/DBT-700BS	7'	421	78
DBF/DBT-800BS	8'	476	82
DBF/DBT-900BS	9'	531	95
DBF/DBT-1000BS	10'	612	103

ACCESSORIES	LIST
DESCRIPTION	PAINTED BRONZE
DBF/DBT IC / Inside Corner Section 90 - 180 Degrees	197
DBF/DBT OC / Outside Corner Section 180 - 270 Degrees - 6" longest side	
DBF/DBT ECR / Right Hand End Cap DBF/DBT ECL / Left Hand End Cap	68
DBF/DBT IECR / Inside Fitting Right End Cap DBF/DBT IECL / Inside Fitting Left End Cap	74
DBF/DBT WT / 2"- 6" Wall Trim	48
DBF/DBT SP / 1 1/2" Splice Plate	
DBF/DBT MF / Mullion Front up to 1'	79
DBF/DBT IF / Inside Filler up to 1'	
3/4" Conduit Raceway (standard is 1/2")	\$7.00 per foot
Mesh / 1/4" Wire Mesh under Grill	\$8.00 per foot
Pedestals - specify 2" or 3"	\$68.00 per Pedestal
See Chart for required amount per Heater	

NOTE: DBF/DBT Series will permit a Thermostat mounted on one side and a Disconnect on the other side, more or other controls require a 6" or 12" control section. Typically, thermostats are mounted on left side of heater. Control Section will add to length of heater.

DBCT / DBCF Series



DBCT Wall Mount
Model-750 WPF Max.



DBCF Floor Mount
Model-600 WPF Max.

Cabinet Dimensions: 5" x 7" x 10' Maximum Length
Made in U.S.A.

**Not suitable for residential applications. Built to order:
consult factory for lead time.**

MODEL	LENGTH	WATTS/ FT.	LIST	
			PAINTED BRONZE	
			HEATER	FINISHED BACK ADDER
DBCT-2/DBCF-2	2'	to 250 251-750	459 555	50
DBCT-3/DBCF-3	3'	to 250 251-750	555 658	58
DBCT-4/DBCF-4	4'	to 250 251-750	650 773	72
DBCT-5/DBCF-5	5'	to 250 251-750	764 889	82
DBCT-6/DBCF-6	6'	to 250 251-750	915 1056	95
DBCT-7/DBCF-7	7'	to 250 251-750	1061 1187	103
DBCT-8/DBCF-8	8'	to 250 251-750	1166 1297	115
DBCT-9/DBCF-9	9'	to 250 251-750	1300 1411	126
DBCT-10/DBCF-10	10'	to 250 251-750	1411 1527	140
Extended Enclosure per foot		73		
BLANK SECTIONS				
DBCT/DBCF-100BS	1'	----	124	29
DBCT/DBCF-200BS	2'		218	50
DBCT/DBCF-300BS	3'		309	58
DBCT/DBCF-400BS	4'		399	71
DBCT/DBCF-500BS	5'		474	82
DBCT/DBCF-600BS	6'		577	95
DBCT/DBCF-700BS	7'		667	103
DBCT/DBCF-800BS	8'		760	115
DBCT/DBCF-900BS	9'		848	126
DBCT/DBCF-1000BS	10'		939	139

ACCESSORIES	LIST
DESCRIPTION	PAINTED BRONZE
DBCT/DBCF IC / Inside Corner Section 90 - 180 Degrees	262
DBCT/DBCF OC / Outside Corner Section 180 - 270 Degrees - 6" longest side	
DBCT/DBCF ECR / Right End Plate DBCT/DBCF ECL / Left End Plate	68
DBCT/DBCF IECR / Right End Plate (inside fit) DBCT/DBCF IECL / Left End plate (inside fit)	58
DBCT/DBCF WT / Wall Trim 2" - 6"	88
DBCT/DBCF SP / 1 1/2" Splice Plate	
DBCT/DBCF IF / Inside Filler (up to 1')	71
3/4" Conduit Raceway (standard is 1/2")	\$7.00 per foot
Mesh / 1/4" Wire Mesh under Grill	\$8.00 per foot
Pedestals - 3"	\$68.00 per Pedestal
See Chart for required amount per Heater	

NOTE: DBCT/DBCF Series will permit a Thermostat mounted on one side and Disconnect on the other side, more or other controls require a 6" or 12" control section. Typically, Thermostats are mounted on left side of heater. Control Section will add to the length of heater.

DBTS Series Draft Barrier Heaters



Features

- Bottom air intake.
- Maximum watts per foot: 300.
- Dimensions: Depth 2-5/8" x Height 4" Length 2' to 10'.
- 14 gauge Aluminum housing.
- Voltages: 120V / 208V / 240V / 277V - 1 Phase
- No controls can be added without adding a control section and extended enclosure.
- Made in U.S.A.

Not suitable for residential applications. 300 watts per foot maximum. Built to order: consult factory for lead time.

Standard Models

MODEL	LENGTH	LIST		
		PAINTED BRONZE		
		HEATER	FINISHED BACK ADDER	
HEATER	DBTS-2	2'	324	42
	DBTS-3	3'	371	50
	DBTS-4	4'	427	53
	DBTS-5	5'	495	59
	DBTS-6	6'	566	66
	DBTS-7	7'	652	78
	DBTS-8	8'	712	82
	DBTS-9	9'	785	96
	DBTS-10	10'	862	109
EXTENDED ENCLOSURE PER FOOT			38	
BLANK SECTION	DBTS-100BS	1'	87	38
	DBTS-200BS	2'	121	42
	DBTS-300BS	3'	154	50
	DBTS-400BS	4'	189	53
	DBTS-500BS	5'	221	59
	DBTS-600BS	6'	257	66
	DBTS-700BS	7'	311	78
	DBTS-800BS	8'	324	82
	DBTS-900BS	9'	357	96
	DBTS-1000BS	10'	594	109

Accessories

MODEL	DESCRIPTION	LIST
		PAINTED BRONZE
DBTS IC	Inside Corner Section 90° - 180°	197
DBTS OC	Outside Corner Section 180° - 270° - 6" longest side	197
DBTS ECR	Right Hand End Cap	68
DBTS ECL	Left Hand End Cap	
DBTS IECR	Inside Fitting Right End Cap	74
DBTS IECL	Inside Fitting Left End Cap	
DBTS WT	Wall Trim 2" - 6"	48
DBTS SP	Splice Plate 1 1/2"	48
DBTS MF	Mullion Front up to 1'	48
Note on order	1/2" Conduit Raceway	\$7.00 per foot
	Mesh 1/4" Wire Mesh under grill	\$8.00 per foot
	Pedestals - specify 2" or 3"	\$68.00 per pedestal

RDBT Series



Cabinet Dimensions: 7" x 6" x 10"
Maximum Length
Made in U.S.A.

Not suitable for residential applications. 300 Watts Per Foot Maximum. Pedestals included with unit. Rounded enclosure with flat top discharge. Special Build: consult factory for lead time.

MODEL	LENGTH	LIST
		PAINTED BRONZE
RDBT-PD-2	2'	574
RDBT-PD-3	3'	678
RDBT-PD-4	4'	801
RDBT-PD-5	5'	933
RDBT-PD-6	6'	1077
RDBT-PD-7	7'	1217
RDBT-PD-8	8'	1357
RDBT-PD-9	9'	1496
RDBT-PD-10	10'	1660
Extended Enclosure per foot		90
BLANK SECTIONS		
RDBT-PD-100BS	1'	319
RDBT-PD-200BS	2'	421
RDBT-PD-300BS	3'	531
RDBT-PD-400BS	4'	639
RDBT-PD-500BS	5'	748
RDBT-PD-600BS	6'	858
RDBT-PD-700BS	7'	966
RDBT-PD-800BS	8'	1077
RDBT-PD-900BS	9'	1185
RDBT-PD-1000BS	10'	1315

ACCESSORIES	PAINTED BRONZE
DESCRIPTION	LIST
RDBT-PDIC / Inside Corner Section 90 - 180 Degrees	57
RDBT-PDOC / Outside Corner Section 180 - 270 Degrees - 6" longest side	
RDBT-PDIECR/Inside Fitting Right End Cap RDBT-PDIECL/Inside Fitting Left End Cap	100
3/4" Conduit Raceway (standard is 1/2")	\$7.00 per foot
Mesh - 1/4" Wire Mesh under Grill	\$8.00 per foot

NOTE: RDBT-PD Series will permit a Thermostat mounted on one side and a Disconnect on the other side. More or other controls require a 6" or 12" control section. Typically, Thermostats are mounted on the left side of heater. Control Sections will add to length of heater.

CB Series



Not suitable for residential applications. Bottom inlet only. Built to order: consult factory for lead time.

Cabinet Dimensions:
2-5/8" x 4-1/2" x 10"
Maximum Length
Made in U.S.A.

MODEL	LENGTH	LIST	
		PAINTED BRONZE	
		HEATER	FINISHED BACK ADDER
CB-2	2'	307	42
CB-3	3'	353	50
CB-4	4'	396	53
CB-5	5'	443	59
CB-6	6'	548	66
CB-7	7'	604	78
CB-8	8'	658	82
CB-9	9'	712	96
CB-10	10'	771	109
Extended Enclosure per foot		31	
BLANK SECTIONS			
CB-100BS	1'	82	38
CB-200BS	2'	111	42
CB-300BS	3'	139	50
CB-400BS	4'	171	53
CB-500BS	5'	196	59
CB-600BS	6'	225	66
CB-700BS	7'	260	78
CB-800BS	8'	297	82
CB-900BS	9'	335	96
CB-1000BS	10'	345	109

NOTE: CB Series will permit either a Thermostat or a Disconnect on only one side of the heater. More or other controls require a control section. Typically, Thermostats are mounted on the right side of heater. Control Sections will add to length of heater.

ASHDB Series

Not suitable for residential applications. 500 Watts per foot maximum. 16 gauge Steel enclosure, 18 gauge backplate. Heights may vary from 8" up to 20". Bottom Intake / Top Discharge. Special build - consult factory for lead time.

Cabinet Dimensions: 5-1/2" x 8" thru 20" x 10" Maximum Length.
Cannot be Anodized
Made in U.S.A.



MODEL / LENGTH	WATTS/ FT.	LIST					
		8-12" HIGH		13-16" HIGH		17-20" HIGH	
		Heater	Finished Back Adder	Heater	Finished Back Adder	Heater	Finished Back Adder
ASHDB-2	to 250	480	51	527	78	611	100
2'	251-500	549		605		689	
ASHDB-3	to 250	562	53	611	80	725	105
3'	251-500	555		689		555	
ASHDB-4	to 250	634	58	697	84	834	111
4'	251-500	705		773		915	
ASHDB-5	to 250	700	63	783	89	947	115
5'	251-500	781		862		1029	
ASHDB-6	to 250	822	71	891	96	1093	123
6'	251-500	897		972		1171	
ASHDB-7	to 250	963	78	1020	100	1250	126
7'	251-500	1039		1104		1331	
ASHDB-8	to 250	1123	82	1181	109	1409	134
8'	251-500	1181		1262		1484	
ASHDB-9	to 250	1248	88	1338	114	1565	139
9'	251-500	1322		1418		1642	
ASHDB-10	to 250	1387	95	1496	121	1724	150
10'	251-500	1465		1577		1801	
Extended Enclosure per foot		53		67		81	
BLANK SECTIONS							
ASHDB-8/20-100BS	1'	151	46	183	68	193	78
ASHDB-8/20-200BS	2'	204	51	240	71	290	81
ASHDB-8/20-300BS	3'	266	53	298	88	374	84
ASHDB-8/20-400BS	4'	292	58	364	80	462	91
ASHDB-8/20-500BS	5'	347	63	425	82	548	95
ASHDB-8/20-600BS	6'	413	59	490	116	634	103
ASHDB-8/20-700BS	7'	486	78	537	95	744	109
ASHDB-8/20-800BS	8'	530	82	598	100	832	116
ASHDB-8/20-900BS	9'	591	88	675	105	930	121
ASHDB-8/20-1000BS	10'	651	95	745	114	960	150

ACCESSORIES	8-12" High	13-16" High	17-20" High
DESCRIPTION	LIST		
ASHDB IC / Inside Corner Section 90 - 180 Degrees	321	336	353
ASHDB OC / Outside Corner Section 180 - 270 Degrees - 6" longest side			
ASHDB ECR / Right End Cap ASHDB ECL / Left End Cap ASHDB SP / 1 1/2" Splice Plate ASHDB WT / 2" - 6" Wall Trim	55	88	115
3/4" Conduit Raceway (standard is 1/2")	\$7.00 per Foot		
Mesh / 1/4" Wire Mesh under Grill	\$8.00 per Foot		
Pedestals - Specify 2" or 3"	\$68.00 per Pedestal		
See Chart for required amount per Heater			

NOTE: ASHDB Series will permit a Thermostat mounted on one side and a Disconnect on the other side, more or other controls require a 6" or 12" control section. Typically, Thermostats are mounted on left side of heater. Control Section will add to length of heater.

ACCESSORIES	PAINTED BRONZE
DESCRIPTION	LIST
CB IC / Inside Corner Section 90 - 180 Degrees	197
CB OC / Outside Corner Section 180 - 270 Degrees - 6" longest side	
CB ECR / Right End Cap CB ECL / Left End Cap	68
CB WT / Wall Trim 2" - 6"	48
CB SP / Splice Plate 1 1/2"	
CB MF / Mullion Front up to 1'	48
1/2" Conduit Raceway	\$7.00 per foot
Mesh / 1/4" Wire Mesh under Grill	\$8.00 per foot
Pedestals - specify 2" or 3"	\$68.00 per pedestal
See Chart for required amount per Heater	

MR Series Heavy Duty Metal Sheath Electric Infrared Heater

Heavy Duty Overhead Infrared Heaters for Indoor Spot Heating, Zone or Total Area Heating Applications



MR-2/4 KW



MR-6/13 KW

- High-Density radiant heat, with 60° symmetric heat pattern.
- ETL Listed for suspended high-bay indoor applications
- Rugged straight metal sheath elements installed, great for high vibration areas.
- Gold anodized Aluminum housing for efficient, long term reflectivity & corrosion resistance.
- Vented terminal box on each end of the heater.
- Single or three phase wiring.
- "L" brackets included for chain suspension, or rigid mounting.
- 6" conduit, fittings, and 4" electrical box included with each heater
- Made in U.S.A.

MR Series Safety Note

Ground fault protection must be used. To avoid potential hazards use model GF-SK-1 ground fault sensing switch with these heaters. This device is designed to provide a reliable way to quickly terminate power to the heaters in the event of a ground fault occurrence.

Standard Models

UPC# 686334	MODEL	KW	BTU'S	VOLTS	PHASE	AMPS		ELEMENTS PER HEATER	WT. (LBS)	LIST	Replacement Elements		LIST			
						3-Ph	1-Ph				UPC# 686334	MODEL				
135177	MR-212-1	1.8	6,143	120	1		15.0	1	9.0	423	135436	642-15001	144			
135184	MR-220-1	2.0	6,826	208	1	N/A	9.6									
135214	MR-224-1			240			8.5									
135221	MR-227-1			277			7.2									
135238	MR-248-1			480			4.2									
135245	MR-257-1			600			3.3									
135306	MR-420-1	4.5	15,359	208	1	N/A	21.6				15.0	535		135528	642-15010	189
135320	MR-424-1			240			18.8									
135337	MR-427-1			277			16.3									
135344	MR-448-1			480			9.5									
135351	MR-457-1			600			7.5									
135368	MR-620-3	6.0	20,478	208	3 or 1	N/A	17.0	27.0	839	135443	642-15002	144				
135375	MR-624-3			240			14.5									
135382	MR-627-3			277			21.7									
135412	MR-648-3			480			7.5									
135429	MR-657-3			600			13.0									
135115	MR-1320-3	13.5	46,076	208	3	N/A	37.5	43.0	1299	135528	642-15010	189				
135122	MR-1324-3			240			33.0									
135139	MR-1327-3			277			N/A									
135153	MR-1348-3			480			48.8									
135160	MR-1357-3			600			17.0									
135252	MR-2720-3	27*	92,151	208	3	N/A	74.8	288.0 Crated	2797	135528	642-15010	189				
135269	MR-2724-3			240			64.8									
135283	MR-2748-3			480			32.4									
135290	MR-2757-3			600			26.7									

Note: Some 3-Phase models can be field converted to single phase operation.

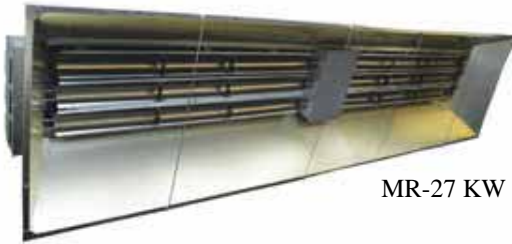
Heavy Duty Metal Sheath Infrared Control Options

CONTROL FEATURES:

- (GF-SK-1) Positive "off" and built-in "on/off" rocker switch illuminates "red" during operation.
- Controls cannot be mounted directly on unit. Must use 6" minimum threaded conduit.

UPC 686334	MODEL	DESCRIPTION	RATING (VAC)	Dimensions (In)			WT. (LBS)	LIST
				Ht.	Wd.	Dp.		
486026	GF-SK-1	Ground Fault Sensing Switch	208V - 600V (50A Max)	10.3	10.3	5.0	12	774
589376	DC-SK-1	Disconnect Switch	120V - 600V (48A Max)	5.0	6.0	4.0	5	378

MR Series Heavy Duty Metal Sheath Electric Infrared Heater

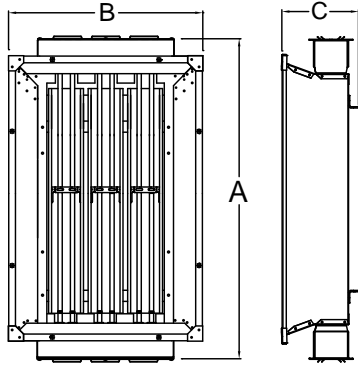


MR-27 KW

Note: The MR-27 Series includes (2) Terminal Box Assemblies, located on each end of the heater, requiring an electrical service to each end.



MR Series Dimensions & Optional Wire Guards



SERIES	DIMENSIONS (in.)			OPTIONAL WIRE GUARDS		
	"A" LENGTH	"B" WIDTH	"C" DEPTH	UPC# 686334	MODEL	LIST
MR-2	32	9	7.25	449090	HDWG-2	60
MR-4	53	9	7.25	449069	HDWG-4	73
MR-6	32	19.88	7.5	449076	HDWG-6	93
MR-13	52.5	19.88	7.5	449083	HDWG-13	159
MR-27	108	28.25	14.88	883047	HDWG-27	323

Mounting Clearances & Recommended Mounting Height

Mounting Clearances		Recommended Mounting Height	
All MR Models	24" from ceiling 36" from vertical surface & from another heater 72" from face of heater to combustible surface	1.8 & 2.0 KW	8' - 10'
		4.5 KW	8' - 12'
		6.0 KW	10' - 14'
		13.5 KW	12' - 16'
MR-27 Only	87" from face of heater to combustible surface	27.0 KW	15' - 30'

Sizing Chart

MOUNTING HEIGHT	MODEL	LENGTH	WIDTH	COVERAGE (SQ. FT.)	WATTS (SQ. FT.)
8'	MR-2	8	8	64	31.3
	MR-4	9	8	72	62.5
10'	MR-2	11	10	110	18.2
	MR-4	11	10	110	40.9
	MR-6	12	10	120	50.0
12'	MR-4	12	11.5	138	32.6
	MR-6	14	12	168	35.7
	MR-13	15	13	195	69.2
14'	MR-6	16	14	224	26.8
	MR-13	18	16	288	46.9
16'	MR-6	18	16	288	20.8
	MR-13	21	18	378	35.7
	MR-27	24	19	456	59.2
18'	MR-13	23	20	460	29.3
	MR-27	28	20	560	48.2
20'	MR-27	28	23	644	41.9
24'	MR-27	33	27	891	30.3
30'	MR-27	41	32	1312	20.6

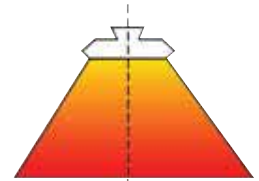
Product Specifications

Housing & Construction:

.040 Gold anodized Aluminum housing for efficient, long-term reflectivity and corrosion resistance. High-density radiant heat. Housing is ETL Listed for indoor, dry environment applications only. Made in U.S.A.

Reflector:

60 degree symmetric heat pattern, reference the sizing chart to determine overall coverage based on the mounting height.



Elements:

Rugged straight metal sheath elements. .430" diameter Incoloy 840 metal sheath. Nickel-Chrome alloy coiled filament imbedded within a Magnesium Oxide insulating powder and threaded end terminations. Available wattages in 1800, 2000, and 4500 Watts per element. Available in standard voltages from 120 to 600 Volts.

Controls:

Heavy Duty, Metal Sheath heaters are not manufactured with any control device on the unit. All controls and accessories should be specified as remote mounted. Please consult the technical sales department of factory for help in determining applicable controls. Please follow installation instructions that accompany each heater.

Accessories:

Wire guards and power contactor panels.

TH & THSS Series Mul-T-Mount Electric Infrared Heater

Overhead Infrared Heaters for Snow & Ice Control, Outdoor Spot Heating & All Indoor Heating Applications



Product Description

AVAILABLE IN 2 OR 3 LAMP BROWN ENAMEL OR STAINLESS STEEL.

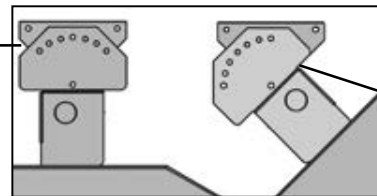


- Listed for suspended, totally exposed (outdoor), high-bay (indoor) comfort heating and exterior snow & ice control applications.
- Listed for recessed applications.
- 20 gauge painted steel or stainless steel housings.
- Gold anodized Aluminum reflectors & end caps.
- 50% higher Watt densities for 3-element units.
- 2-Lamp wiring, single phase.
- 3-Lamp wiring, three or single phase.
- Stainless steel models have non-corrosive housing, hardware and brackets; no ferrous metals used in the unit. Durable in harsh atmospheres & outdoor environments.
- High temperature lead wires.
- Clear Quartz Lamp(s) Included.
- Made in U.S.A.

Features:

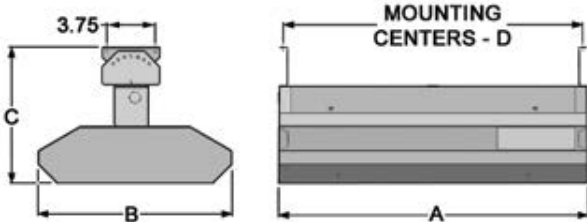
In-Built surface mounting brackets allows for fixture adjustment up to 45° horizontal tilt.

In-built surface mounting brackets attached to the top wiring channel.



0 to 45° tilt @ 15° increments

Product Dimensions



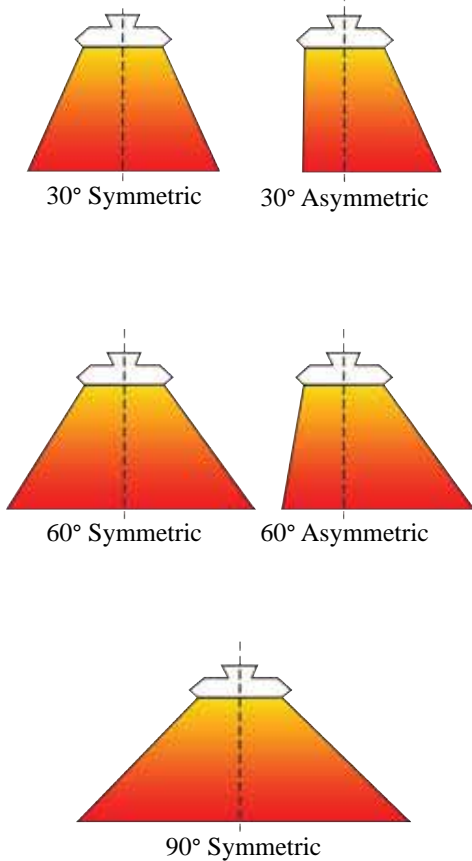
MUL-T-MOUNT SERIES	DIMENSIONS (IN.)			
	"A" LENGTH	"B" WIDTH	"C" HEIGHT	"D" MTG. CTR.
222	24"	15"	10-7/8"	23-1/2"
342	33"	15"	10-7/8"	32-1/2"
462	46"	15"	10-7/8"	45-1/2"
223	24"	21-1/2"	10-7/8"	23-1/2"
343	33"	21-1/2"	10-7/8"	34"
463	46"	21-1/2"	10-7/8"	45-1/2"

Mounting Clearances & Recommended Mounting Height

Mounting Clearances		Recommended Mounting Height	
2 & 3 Lamp Models	3" from ceiling	30° Symmetric & A30° Asymmetric Reflector - Indoor	14' - 30'
	24" from vertical surface	60° Symmetric & A60° Asymmetric Reflector - Indoor	12' - 18'
2 Lamp Models	72" from face of heater to combustible surface	90° Symmetric Reflector - Indoor	8' - 12'
3 Lamp Models	96" from face of heater to combustible surface	30° Symmetric & A30° Asymmetric Reflector - Outdoor	8' - 10'

TH & THSS Series Mul-T-Mount Electric Infrared Heater

Reflector Patterns



Product Specifications

Series:

- 222, 342, 462 (Painted Version) 2-lamp
- 222, 342, 462 (Stainless Steel Version) 2-lamp
- 223, 343, 463 (Stainless Steel Version) 3-lamp

Housing:

20 gauge Galvanized Steel with a baked on, brown enamel (painted) finish. Housing is ETL Listed for both indoor and totally exposed outdoor applications.

20 gauge Stainless Steel for durability and corrosion-resistance. Housing is ETL Listed for both indoor and totally exposed outdoor applications.

Reflectors and End Caps:

.040 Gold anodized Aluminum reflectors and end caps for superior reflectivity. Five choices of reflector patterns including 30 degree narrow (symmetric & asymmetric), 60 degree medium (symmetric & asymmetric), and 90 degree wide (symmetric).

Elements:

Clear quartz lamps. Coiled tungsten filament located within a sealed quartz envelope, halogen filled, with porcelain end caps and 6" wire pigtail leads. 96% radiant delivered efficiency with high moisture and thermal shock resistance. Instantaneous heat-up and cool-down performance. Available wattages from 500 to 3800 Watts per element. Available voltages from 120 to 600 Volts.

Controls:

Mul-T-Mount heaters are not manufactured with any control device on the unit. All controls are accessories and should be specified as such. Please consult the technical sales department of factory for help in determining applicable controls. Please follow installation instructions that accompany each heater.

Accessories:

Recessed mounting frames (painted or stainless steel), adjustable mounting brackets (stainless steel only), vertical mounting brackets (stainless steel only), wire guards, thermostats, snow detectors, SCR controllers, and power contactor panels.

Sizing Chart

Reflective Pattern (°)	Heater Output (kW)	# of Qtz. Lamps	Mounting Heights (FT.)							Watts Delivered per Square Foot							
			8	10	12	14	16	18	20	Mounting Heights (FT.)							
			Heat Pattern Coverage @ Floor Level							8	10	12	14	16	18	20	
			L x W	L x W	L x W	L x W	L x W	L x W	L x W	L x W							
30°	3.2	2 - Quartz Lamp Heaters	5.5 x 4	6.5 x 5.5	7.5 x 6.5	8.5 x 7.5	9.5 x 8.5	10.5 x 9.5	11.5 x 10.5	145.5	89.5	65.6	50.2	39.6	32.1	26.5	
			10.5 x 9.5	13 x 12	15 x 14	17 x 16	N/R	N/R	N/R	32.1	20.5	15.2	11.8	-	-	-	
			17 x 16	21 x 20	N/R	N/R	N/R	N/R	N/R	11.8	7.6	-	-	-	-	-	
	5.0		6 x 4	7.5 x 5.5	8.5 x 6.5	9.5 x 7.5	10.5 x 8.5	11.5 x 9.5	12.5 x 10.5	208.3	121.2	90.5	70.2	56.0	45.8	38.1	
			11.5 x 9.5	14 x 12	16 x 14	18 x 16	20.5 x 18.5	23 x 21	N/R	45.8	29.8	22.3	17.4	13.2	10.4	-	
			18 x 16	22 x 20	26 x 24	N/R	N/R	N/R	N/R	17.4	11.4	8.0	-	-	-	-	
	7.3		N/R	8.5 x 5.5	9.5 x 6.5	10.5 x 7.5	11.5 x 8.5	12.5 x 9.5	13.5 x 10.5	-	156.1	118.2	92.7	74.7	61.5	51.5	
			12 x 10.5	15 x 12	17 x 14	19 x 16	21.5 x 18.5	24 x 21	N/R	57.9	40.6	30.7	24.0	18.4	14.5	-	
			19 x 16	23 x 20	27 x 24	N/R	N/R	N/R	N/R	24.0	15.9	11.3	-	-	-	-	
60°	4.8	3 - Quartz Lamp Heaters	5.5 x 5	6.5 x 6.5	7.5 x 7.5	8.5 x 8.5	9.5 x 9.5	10.5 x 10.5	11.5 x 11.5	174.5	113.6	85.3	66.4	53.2	43.5	36.3	
			10.5 x 10.5	13 x 13	15 x 15	17 x 17	21 x 21	N/R	N/R	43.5	28.4	21.3	16.6	10.9	-	-	
			17 x 17	21 x 21	N/R	N/R	N/R	N/R	N/R	16.6	10.9	-	-	-	-	-	
	7.5		N/R	7.5 x 6.5	8.5 x 7.5	9.5 x 8.5	10.5 x 9.5	11.5 x 10.5	12.5 x 11.5	-	153.8	117.6	92.9	75.2	62.1	52.2	
			11.5 x 10.5	14 x 13	16 x 15	18 x 17	20.5 x 19.5	23 x 22	N/R	62.1	41.2	31.3	24.5	18.8	14.8	-	
			18 x 17	22 x 21	26 x 25	N/R	N/R	N/R	N/R	24.5	16.2	11.5	-	-	-	-	
	10.95		N/R	8.5 x 6.5	9.5 x 7.5	10.5 x 8.5	11.5 x 9.5	12.5 x 10.5	13.5 x 11.5	-	198.2	153.7	122.7	100.2	83.4	70.5	
			12 x 11	15 x 13	17 x 15	19 x 17	21.5 x 19.5	24 x 22	N/R	83.0	56.2	42.9	33.9	26.1	20.7	-	
			19 x 17	23 x 21	27 x 25	N/R	N/R	N/R	N/R	33.9	22.7	16.2	-	-	-	-	

TH & THSS Series Mul-T-Mount Electric Infrared Heater



2 Lamp Mul-T-Mount Series Brown Enamel Or Stainless Steel With 2 Clear Quartz Lamps Included

BROWN HOUSING		STAINLESS Steel HOUSING		KW	BTU'S	VOLTS	REFLECTOR PATTERN	REPLACEMENT ELEMENT	WT. (LBS)	LIST						
UPC# 686334	MODEL	UPC# 686334	MODEL							Brown	Stainless Steel					
444163	222-30-TH-208V	444408	222-30-THSS-208V	3.2	10,922	208	30° Symmetrical	63016209	20	650	785					
444170	222-30-TH-240V	444415	222-30-THSS-240V			240		63016249								
444187	222-30-TH-277V	444422	222-30-THSS-277V			277		63016279								
481380	222-30-TH-480V	481434	222-30-THSS-480V			480		63016489								
444194	222-A30-TH-208V	444439	222-A30-THSS-208V			208	30° Asymmetrical	63016209								
444200	222-A30-TH-240V	444446	222-A30-THSS-240V			240		63016249								
444217	222-A30-TH-277V	444453	222-A30-THSS-277V			277		63016279								
481410	222-A30-TH-480V	481465	222-A30-THSS-480V			480		63016489								
444224	222-60-TH-208V	444460	222-60-THSS-208V			208	60° Symmetrical	63016209								
444231	222-60-TH-240V	444477	222-60-THSS-240V			240		63016249								
444248	222-60-TH-277V	444484	222-60-THSS-277V			277		63016279								
481397	222-60-TH-480V	481441	222-60-THSS-480V			480		63016489								
444255	222-A60-TH-208V	444491	222-A60-THSS-208V			208	60° Asymmetrical	63016209								
444262	222-A60-TH-240V	444507	222-A60-THSS-240V			240		63016249								
444279	222-A60-TH-277V	444514	222-A60-THSS-277V			277		63016279								
481427	222-A60-TH-480V	481472	222-A60-THSS-480V			480		63016489								
443296	222-90-TH-208V	444521	222-90-THSS-208V			208	90° Symmetrical	63016209								
444286	222-90-TH-240V	444538	222-90-THSS-240V			240		63016249								
444293	222-90-TH-277V	444545	222-90-THSS-277V			277		63016279								
481403	222-90-TH-480V	481458	222-90-THSS-480V			480		63016489								
481083	342-30-TH-208V	480932	342-30-THSS-208V	5.0	17,065	208	30° Symmetrical	63025209	25	857	1098					
481090	342-30-TH-240V	480949	342-30-THSS-240V			240		63025249								
802611	342-30-TH-480V	802635	342-30-THSS-480V			480		63025489								
481175	342-A30-TH-208V	481021	342-A30-THSS-208V			208		30° Asymmetrical				63025209				
481182	342-A30-TH-240V	481038	342-A30-THSS-240V			240	63025249									
444316	342-A30-TH-480V	444569	342-A30-THSS-480V			480	63025489									
481113	342-60-TH-208V	480963	342-60-THSS-208V			208	60° Symmetrical					63025209				
481120	342-60-TH-240V	480970	342-60-THSS-240V			240		63025249								
802918	342-60-TH-480V	802932	342-60-THSS-480V			480		63025489								
481205	342-A60-TH-208V	481052	342-A60-THSS-208V			208		60° Asymmetrical				63025209				
481212	342-A60-TH-240V	481069	342-A60-THSS-240V			240	63025249									
444330	342-A60-TH-480V	444583	342-A60-THSS-480V			480	63025489									
481144	342-90-TH-208V	480994	342-90-THSS-208V			208	90° Symmetrical					63025209				
481151	342-90-TH-240V	481007	342-90-THSS-240V			240		63025249								
803212	342-90-TH-480V	803236	342-90-THSS-480V			480		63025489								
802710	462-30-TH-480V	802734	462-30-THSS-480V			7.3		24,915				480	30° Symmetrical	63036489	32	1077
444361	462-A30-TH-480V	444613	462-A30-THSS-480V				480					30° Asymmetrical	63036489			
803014	462-60-TH-480V	803038	462-60-THSS-480V				480					60° Symmetrical	63036489			
444385	462-A60-TH-480V	444637	462-A60-THSS-480V				480					60° Asymmetrical	63036489			
803311	462-90-TH-480V	803335	462-90-THSS-480V				480					90° Symmetrical	63036489			

NOTE: Consult the factory, the product instruction manual, or a licensed electrician for 3-phase wiring of all 2-element heaters.

TH & THSS Series Mul-T-Mount Electric Infrared Heater

3 Lamp Mul-T-Mount Series
Brown Enamel Or Stainless Steel Housing With 3 Clear Quartz Lamps Included



NOTE:

- 600-Volt Models also available, contact factory for more information.
- Asymmetrical pattern units are also available for 30° & 60°
- Made in U.S.A.

BROWN HOUSING		STAINLESS Steel HOUSING		KW	BTU'S	VOLTS	REFLECTOR PATTERN	REPLACEMENT ELEMENT	WT. (LBS)	LIST						
UPC# 686334	MODEL	UPC# 686334	MODEL							Brown	Stainless Steel					
487481	223-30-TH-208V	443678	223-30-THSS-208V	4.8	16382	208	30° Symmetrical	63016209	25	1063	1198					
487498	223-30-TH-240V	443685	223-30-THSS-240V			240		63016249								
487504	223-30-TH-277V	443692	223-30-THSS-277V			277		63016279								
487511	223-30-TH-480V	481588	223-30-THSS-480V			480	63016489									
487528	223-60-TH-208V	443289	223-60-THSS-208V			208	60° Symmetrical	63016209								
487535	223-60-TH-240V	443739	223-60-THSS-240V			240		63016249								
487542	223-60-TH-277V	443746	223-60-THSS-277V			277		63016279								
487559	223-60-TH-480V	481595	223-60-THSS-480V			480	63016489									
487566	223-90-TH-208V	443784	223-90-THSS-208V			208	90° Symmetrical	63016209								
487573	223-90-TH-240V	443791	223-90-THSS-240V			240		63016249								
487580	223-90-TH-277V	443807	223-90-THSS-277V			277		63016279								
487597	223-90-TH-480V	481601	223-90-THSS-480V			480	63016489									
487603	343-30-TH-208V	481236	343-30-THSS-208V	7.5	25298	208	30° Symmetrical	63025209	33	1286	1527					
487610	343-30-TH-240V	481243	343-30-THSS-240V			240		63025249								
487627	343-30-TH-480V	811439	343-30-THSS-480V			480		63025489								
487634	343-60-TH-208V	481267	343-60-THSS-208V			208	60° Symmetrical	63025209								
487641	343-60-TH-240V	481274	343-60-THSS-240V			240		63025249								
487658	343-60-TH-480V	811637	343-60-THSS-480V			480		63025489								
487665	343-90-TH-208V	481298	343-90-THSS-208V			208	90° Symmetrical	63025209								
487672	343-90-TH-240V	481304	343-90-THSS-240V			240		63025249								
487689	343-90-TH-480V	811835	343-90-THSS-480V			480		63025489								
487696	463-30-TH-480V	810531	463-30-THSS-480V			10.95	37372	480				30° Sym.	63036489	41	1544	1788
487702	463-60-TH-480V	810739	463-60-THSS-480V					60° Sym.				63036489				
487719	463-90-TH-480V	810937	463-90-THSS-480V					90° Sym.				63036489				

TH & THSS Series Product Accessories

UPC# 686334	MODEL	DESCRIPTION	FOR USE WITH	WT. (LBS)	LIST
881128	VMB-41-SS	Wall Mounting Brackets (2)	All Mul-T-Mount Models	12	219
851152	CHWG-222	Stainless Steel Wire Guards	222 Series	2	59
851145	CHWG-342		342 Series		78
851626	CHWG-462		462 Series		107
854368	CHWG-223		223 Series		73
854351	CHWG-343		343 Series		95
854344	CHWG-463		463 Series		111
Recessed Mounting Frames (UL)					
		Ceiling Cutout (in.)	Frame Size (in.)		
441995	RMF-222-SS-A	27 x 17-7/8	29-1/8 x 20	6	242
449441	RMF-222-A	27 x 17-7/8	29-1/8 x 20		177
442077	RMF-342-SS-A	36 x 17-7/8	38-1/8 x 20	9	300
441872	RMF-342-A	36 x 17-7/8	38-1/8 x 20		178
442107	RMF-462-SS-A	49 x 17-7/8	51-1/8 x 20	11	367
449458	RMF-462-A	49 x 17-7/8	51-1/8 x 20		226
881104	RMF-223-SS	32 x 29-3/8	34-1/8 x 31-1/2	15	366
881135	RMF-343-SS	41 x 29-3/8	43-1/8 x 31-1/2	18	431
881111	RMF-463-SS	54 x 29-3/8	56-1/8 x 31-1/2	20	525
487726	RMF-223	32 x 29-3/8	34-1/8 x 31-1/2	15	294
487733	RMF-343	41 x 29-3/8	43-1/8 x 31-1/2	18	309
487740	RMF-463	54 x 29-3/8	56-1/8 x 31-1/2	20	385
440783	31939009	Red Vycor Sleeves Reduces Quartz Lamp Brightness by 90%	All 1600W Qtz. Lamp	2	90
440738	31940009		All 2500W Qtz. Lamp		118
440745	31941009		All 3650W Qtz. Lamp		145
446150	632-1620	Red Quartz Lamps: 1.6kw, 208v	222, 223 & RPH Series	2	152
446167	632-1624	Red Quartz Lamps: 1.6kw, 240v			152
446228	632-2548	Red Quartz Lamps: 2.5kw, 480v			342 & 343 Series

OCH Series Outdoor / Indoor Rated Quartz Electric Infrared Heater

Features



Heats solid objects, not the air!



- Frosted Quartz Tube heating element (included)
- Listed for suspended, totally exposed (outdoor) and indoor spot heating applications
- Finish: High-temp brown powder coated finish or corrosion resistant stainless steel 24 gauge housing
- 60° Symmetric Heat Pattern
- Gold anodized Aluminum reflector and end caps
- Painted models are direct wire, unless specified and are supplied with 6" lead wires for field connection in the internal wiring compartment. These models are available with a factory installed 6' cord set. The 208V model must have a field supplied plug.
- Stainless steel models include an electrical enclosure assembled to the end of the heater housing and (2) 6" long lead wires for direct field connection.
- Two 2' ft. long mounting chains and four S-Hooks included
- The OCH-Series can be surfaced mounted using the supplied mounting brackets which allow up to a 45° horizontal tilt adjustment.
- Made in U.S.A.

Product Models

FINISH - BROWN			FINISH - STAINLESS Steel			CONNECTION TYPE	WATTS	BTU'S	VOLTS	AMPS	Qtz. Tube Repl. Element	WT. (LBS)							
UPC# 686334	MODEL	LIST	UPC# 686334	MODEL	LIST														
Includes Electrical Enclosure						Hard Wire	1500	5120	120	12.5	671-3784	10							
480444	OCH-46-120VE	325	480529	OCH-46-120V-SSE	382														
480451	OCH-46-208VE		480536	OCH-46-208V-SSE															
480468	OCH-46-240VE		480543	OCH-46-240V-SSE															
480475	OCH-46-277VE		480550	OCH-46-277V-SSE															
480499	OCH-57-208VE	371	480574	OCH-57-208V-SSE	423		3000	10239	208	14.4	671-5060	12							
480482	OCH-57-240VE		480567	OCH-57-240V-SSE															
480505	OCH-57-277VE		480581	OCH-57-277V-SSE															
480512	OCH-57-480VE		480598	OCH-57-480V-SSE															
485975	OCH-46-120VCE	351	---	---	---		Corded	1500	5120	120	12.5	671-3784	11						
485982	OCH-57-208VCE	412	---	---	---									2000	6826	208	9.6	671-5061	13
485999	OCH-57-240VCE		---	---	---														

Product Accessories

UPC # 686334	MODEL	DESCRIPTION	FOR USE WITH	WT. (LBS)	LIST
480888	OCHWG-46	Stainless Steel Wire Guards	OCH-46 Series Models	2	59
480895	OCHWG-57		OCH-57 Series Models	2	62
881128	VMB-41-SS	Wall Mtg. Brackets (2)	ALL OCH Models	12	219
445948	VHC-15	Variable Heat Controller	208/240V OCH Models Only	3	167
485357	VHC-32	Variable Heat Controller	208/240V OCH Models Only	3	435

OCH Series Outdoor / Indoor Rated Quartz Electric Infrared Heater

OCH Sizing Chart

MOUNTING HEIGHT	HEATER MODEL	WATTS	HEAT PATTERN COVERAGE (AT FLOOR LEVEL)			TOTAL WATTS / SQ. FT.
			LENGTH	WIDTH	SQ. FT.	
7'	OCH-46	1500	11	9	99	15.2
	OCH-46	2000	11	9	99	20.2
8'	OCH-46	1500	12	10	120	12.5
	OCH-46	2000	12	10	120	16.7
	OCH-57	3000	13	10	130	23.1
	OCH-57	2250	13	10	130	17.3
9'	OCH-46	1500	13	11	143	10.5
	OCH-46	2000	13	11	143	14.0
	OCH-57	3000	14	11	154	19.5
	OCH-57	2250	14	11	154	14.6
10'	OCH-57	3000	15	12	180	16.7
	OCH-57	2250	15	12	180	12.5
12'	OCH-57	3000	17	14	238	12.6
	OCH-57	2250	17	14	238	9.5

Product Specifications

Series:

OCH-46 & OCH-57

Housing:

24 gauge Aluminized Steel with a baked on brown powder coat finish. Housing is cETLus Listed for indoor or outdoor applications. Horizontal mounting only.

Reflectors and End Caps:

.040 Gold anodized Aluminum reflectors and end caps for superior reflectiveness. 60 degree medium (symmetric) pattern only.

Elements:

Quartz Tubes. Frosted quartz envelope with a Nickel-Chromium coiled filament, porcelain end caps, and threaded-screw (stud) terminations. Fast heat-up and cool-down performance. Available Wattages from 1500 to 3000 Watts per element. Available voltages from 120 to 480 Volts.

Controls:

OCH Series heaters are not manufactured with any control device on the unit. All controls are accessories and should be specified as such. Please consult the technical sales department of factory for help in determining applicable controls. Please follow installation instructions that accompany each heater.

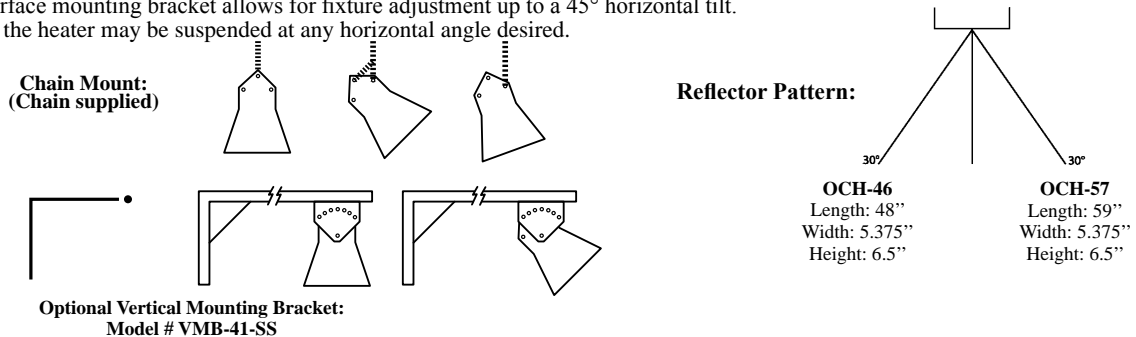
Accessories:

Adjustable mounting brackets (stainless steel only), vertical mounting brackets (stainless steel only), wire guards, thermostats, SCR controllers, and power contactor panels.

Mounting Configurations & Reflector Pattern

Mounting

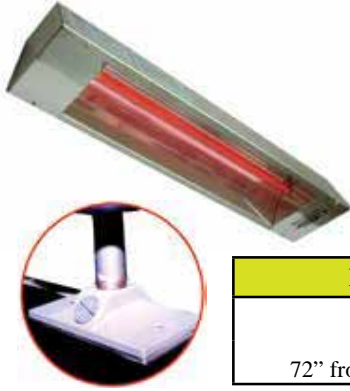
- Chain, surface mount or use our vertical mounting bracket as shown below. (Note:) All units must be mounted horizontally.
- In-Built surface mounting bracket allows for fixture adjustment up to a 45° horizontal tilt.
- As shown, the heater may be suspended at any horizontal angle desired.



Mounting Clearances & Recommended Mounting Height

MOUNTING CLEARANCES	RECOMMENDED MOUNTING HEIGHT	
3" from ceiling; 12" from vertical surface 72" from face of heater to combustible surface 36" from another heater	OCH-46	7'-9'
	OCH-57	8'-10'

RPH Series Outdoor Rated Stainless Steel Electric Infrared Heater



- Instant, high-intensity radiant heat, with 30° symmetric heat pattern.
- Listed for indoor spot heating and for outdoor unprotected applications.
- Specialized Ruby "Red" Quartz Lamp infrared heating element for glare reduction.
- Stainless Steel housing with Coilzak Aluminum reflector for good reflectivity & corrosion resistance.
- Heating element and mounting plate included.
- Dimensions: 24" x 5-3/8" x 4-1/2."
- Made in U.S.A.



MOUNTING CLEARANCES						RECOMMENDED MOUNTING HEIGHT		
6" from ceiling 24" from vertical surface 72" from face of heater to combustible surface						RPH-208		8'-12'
						RPH-240		8'-12'

Mounting Plate (provided) on top center allows heater to be mounted parallel or angled using a standard pipe nipple and box cover (supplied by installer)

UPC# 686334	MODEL	WATTS	BTU'S	VOLTS	PHASE	AMPS	REPLACEMENT QUARTZ LAMP	WT. (LBS)	LIST	OPTIONAL WIREGUARD		
										UPC# 686334	MODEL	LIST
884501	RPH-208-A	1600	5,461	208	1	7.7	632-1620	5	355	880992	RPHWG	36
884518	RPH-240-A	1600	5,461	240	1	6.7	632-1624	5				

MM Series "Mitey Midget" Electric Infrared Heater



- Instant, high-intensity radiant heat, with 60° symmetric heat pattern.
- MM heaters excel as people-heaters in areas requiring a linear, compact & concentrated heat source.
- Listed for indoor industrial and commercial comfort heat applications.
- Heavy duty Aluminum extrusion with a bright Aluminum insert for maximum reflectivity.
- Anodized Aluminum housing, (0.62" thick).
- Heat Element Sold Separately.
- Dimensions: 3.750" Wide x 3.380" High.
- Made in U.S.A.

Mounting Clearances		
24" from ceiling & from vertical surface		
24" from face of heater to combustible surface		
36" from another heater		

UPC# 686334	MODEL	MAX WATTS	MAX BTU'S	VOLTS	PH	UNIT LENGTH	WT. (LBS)	LIST	OPTIONAL WIREGUARDS		
									UPC# 686334	MODEL	LIST
444019	MM-13A	500	1707	120	1	13"	3	242	443906	MMWG-13	26
442763	MM-18A	750 / 1000	3413	208-240	1	18"	4	252	443913	MMWG-18	38
449540	MM-24A	900 / 1600	5461	208-277	1	24"	5	262	441896	MMWG-24	49
442725	MM-33A	2500	8533	480	1	33"	6	282	443920	MMWG-33	53
442039	MM-46A	3000 / 3800	12457	480-600	1	46"	7	308	442046	MMWG-46	63

All MM-13A through MM-46A models are ETL Listed for use with Quartz Lamps Only!

FFH Series Electric Utility Infrared Heater



- Both FFH Series Heaters are excellent for Farrowing & Finishing applications.
- Both units feature an 8 ft. 18/3 grounded cordset to plug into any 120V service.
- Gold anodized Aluminum reflectors, with a 90° symmetrical reflector pattern.
- Compact housing design, with the following housing finish:
FFH-512A: Gold Anodized Finish
FFH-912B: Brown Enamel Finish
- Quartz Tubes Heat Element(s), Wire Guard & (2) 4' ft. Jack Chains are included.
- FFH-912B Only: Offers (2) On/Off toggle switches to operate heating elements independently.
- Listed for indoor industrial and commercial comfort heat
- Made in U.S.A.

SIZING CHART - FFH SERIES					
MOUNTING HEIGHT	HEATER MODEL	LENGTH	WIDTH	COVERAGE (Sq. Ft.)	WATTS / Sq. Ft.
6'	FFH-512A	7	6	42	13.1
	FFH-912B	6	7	42	21.4
7'	FFH-512A	8	7	56	9.8
	FFH-912B	7	8	56	16.1
8'	FFH-512A	9	8	72	7.6
	FFH-912B	8	9	72	12.5

UPC# 686334	MODEL	WATTS	BTU'S	VOLTS	PHASE	AMPS	REPLACEMENT QUARTZ TUBE	WT. (LBS)	Dimensions (in.)			LIST	MOUNTING CLEARANCES
									Length	Width	Height		
883894	FFH-512A	550	1877	120	1	5	671-3492	4	22	5	3	232	3" from ceiling 24" from vertical surface 72" from floor
882781	FFH-912B	450/900	3072	120	1	8	671-3454	4	17	6	4	423	

Electric Infrared Heating Elements

Clear & Red Quartz Lamps

UPC# 686334	MODEL #	WATTS	VOLTS	LENGTH (IN.)		ENVELOPE TYPE	FITS MODEL	LIST
				Overall	Heated			
440059	630-05129	500	120	8-11/16	5	CLEAR	MM-13A	107
440165	630-16209	1600	208	19-11/16	16		222, 223, or MM-24A	125
440172	630-16249		240				125	
440998	631-16249		240				152	
440189	630-16279		277				125	
481731	630-16489		480				152	
481748	630-25209	2500	208	28-11/16	25		342, 343, or MM-33A	178
481755	630-25249		240					200
481762	630-25279		277					200
440547	630-25489		480					158
440363	631-25489		480					171
440684	631-25609	3650	600	41-11/16	38		462, 463, or MM-46A	234
440677	630-36489		480			246		
446235	630-38579	3800	600	41-11/16	38	462, 463, or MM-46A	234	
444132	631-38579		600				246	
446150	632-1620	1600	208	19-11/16	16	222/223 or RPH	152	
446167	632-1624		240				152	
446228	632-2548	2500	480	28-11/16	25	342 or 343	178	

- Near wavelength infrared, color temp. emitted: approx. 4100° F (high brightness).
- Approximately 96% radiant efficiency.
- Excellent resistance to thermal shock.
- Highest moisture resistance and quickest heat-up time.
- 3/8" Diameter clear or red quartz envelope.
- Coiled tungsten filament; sealed porcelain end caps; halogen gas filled.

Model prefix types:


630 = Horizontal Burning "Clear"

631 = Vertical OR Horizontal Burning "Clear"

632 = Horizontal Burning "Red"

Notes: Life expectancy of all heating elements - 5,000 hours. All heating elements operate at 50 / 60 Hertz.

Quartz Tubes



UPC# 686334	MODEL #	WATTS	VOLTS	LENGTH (IN.)		FITS MODEL	LIST
				Overall	Heated		
443234	671-3784	1500	120	39-11/16	34-3/16	OCH-46	131
441810	671-5061	2000	208	39-11/16	34-3/16		
441803	671-3785	2000	240	39-11/16	34-3/16		
441933	671-5018	2000	277	39-11/16	34-3/16	OCH-57	145
441667	671-5060	3000	208	50-11/16	45-3/16		
441476	671-3786	3000	240	50-11/16	45-3/16		
441940	671-5059	3000	277	50-11/16	45-3/16		
441957	671-5058	2250	480	50-11/16	45-3/16		
440356	671-3454	450	120	12-15/16	8-7/16	FFH-912B	82
440080	671-3492*	550	120	19-1/2	16	FFH-512A	88
446242	671-5056	1000	120	18-5/16	14-7/16	CH-2212-1C	96
446259	671-5057	1425	240	27-5/16	23-7/16	CH-6424-1C	110

Notes: Life expectancy of all heating elements - 5,000 hours. All heating elements operate at 50 / 60 Hertz.

- Medium wavelength infrared, color temp. emitting approx. 1800°F (bright orange glow)
- Approximately 60% radiant efficiency
- Nickel-Chromium alloy coiled element with porcelain end caps and pigtailed termination
- 5/8" Diameter frosted quartz envelope
- Fast heat-up/cool-down

*3/8" Diameter

Metal Sheath Elements



Inner aluminum reflector

Metal Sheath element w/ ceramic end

UPC# 686334	MODEL	WATTS	VOLTS	LENGTH (in)		REPLACEMENT HEATING ELEMENT		(QTY) PER HEATER	LIST
				Overall	Heated	Fits "CH-Models"	Fits "FHK Models"		
487764	642-21001	1800	120	20.75	17.5	CH-212-1A, CH-212-1C	FHK-212-1CA	CH-2 (1) FHK-2 (1)	152
487771	642-21002	208	CH-220-1A, CH-620-3A CH-220-1C, CH-620-3C			FHK-220-1A, FHK-620-3A	CH-2 (1) CH/FHK-6 (3)		
487795	642-21004	240	CH-224-1A, CH-624-3A CH-224-1C, CH-624-3C			FHK-224-1A, FHK-624-3A	CH-2 (1) CH/FHK-6 (3)		
487801	642-21005	2000	277			CH-277-1A, CH-627-3A CH-227-1C, CH-627-3C	FHK-227-1A FHK-627-3A	CH-2 (1) CH/FHK-6 (3)	
487832	642-21008	480	480			CH-248-1A, CH-648-3A CH-248-1C, CH-648-3C	FHK-248-1A, FHK-648-3A	CH-2 (1) CH/FHK-6 (3)	
487849	642-21009	600	600			CH-257-1A, CH-657-3A CH-257-1C, CH-657-3C	FHK-257-1A, FHK-657-3A	CH-2 (1) CH/FHK-6 (3)	
487856	642-21010	4500	208			41.25	38	CH-420-1A, CH-1320-3A CH-2720-3B, CH-420-1C, CH-1320-3B, CH-2720-3C	
487870	642-21012		240	CH-424-1A, CH-1324-3A, CH-2724-3B, CH-424-1C, CH-1324-3B, CH-2724-3C	FHK-424-1A, FHK-1324-3A			CH-4 (1) CH/FHK-13 (3) CH-27 (6)	
487887	642-21013		277	CH-427-1A, CH-1327-3A CH-427-1C, CH-1327-3B	FHK-427-1A, FHK-1327-3A			CH-4 (1) CH/FHK-13 (3)	
487917	642-21016		480	CH-448-1A, CH-1348-3A, CH-2748-3B, CH-448-1C, CH-1348-3B, CH-2748-3C	FHK-448-1A, FHK-1348-3A			CH-4 (1) CH/FHK-13 (3) CH-27 (6)	
487924	642-21017		600	600	CH-457-1A, CH-1357-3A, CH-2757-3B, CH-457-1C, CH-1357-3B, CH-2757-3C			FHK-457-1A, FHK-1357-3A	CH-4 (1) CH/FHK-13 (3) CH-27 (6)

- Far wavelength infrared, color temp. Emitting approx 1600° F (dull orange glow)
- Approximately 50% radiant efficiency
- Incoloy metal sheath envelope
- Nickel-Chromium alloy coiled element imbedded in Magnesium Oxide insulating powder
- Slowest heat-up/cool-down
- Highest mechanical durability
- Inner reflector, fasteners, & support clip(s) shipped with each replacement element
- Dimensions:
- 1.8/2.0kW
- 20.75" overall
- 17.5" heated
- 4.5kW
- 41.25" overall
- 38" heated

Note: Inner reflector shipped with replacement Metal Sheath Elements. Life expectancy of all heating elements - 5,000 hours. - All heating elements operate at 50 / 60 Hertz.

Electric Infrared Heating Controls

Variable Controllers



VHC-32

- Solid State phase angle variable "Triac" knob controller adjusts heat settings from 10-100% with heat loads up to 15.4-Amps.
- 208/240 VAC single-phase, single stage controller, 3200 Watt max.
- Positive "Off" & built-in On/Off Rocker switch lights "red" during operation.
- NEMA 1 Aluminum enclosure with stainless steel face plate designed for wall mounting or suitable for semi-recessed applications.
- Must be mounted in a protected area.
- Can either operate Quartz Lamps or Quartz Tube Infrared Heaters.



VHC-15

- Solid state variable device controls heat loads up to 15-Amps.
- 208/240Volt "In-Line" Controller.
- Built in On/Off knob switch with positive "off" & surface plate included.
- Designed for a 2" x 4" electrical wall box mounting (not supplied).
- Must be mounted in a protected area.
- Can only operate Fostoria Quartz Tube Infrared Heaters.

30-Amp or 80-Amp Enclosed



18D-2-80CF ENC.

- SCR Voltage Controller - 80 Amp MAX.
- Includes (1) 24-volt Potentiometer (3" square) to control the heat output.
- Only operates Quartz Lamps at 240 or 208-Volts, single phase only.
- Potentiometer can be mounted outside, but the SCR must be located in a protected area.
- Factory wired with millisecond fuses included.

UPC#	MODEL	DESCRIPTION	DIMENSION (IN.)			WT. (LBS)	LIST
			Depth	Width	Height		
485357	VHC-32	Variable Heat Controller 208/240-Volt; 15.4 Amp	3	5	5	3	620
445948	VHC-15	Variable Heat Controller; 208/240-Volt; 15 Amp	3	5	5	3	167
445634	18D-2-30CF (Open)	SCR Controller - 26 Amp MAX; No Enclosure	6	6	9	11	1200
445641	18D-2-30CF (Enclosed)	SCR Controller - 26 Amp MAX; Enclosure Included	8	10	12	15	1600
445658	18D-2-80CF (Enclosed)	SCR Controller - 80 Amp MAX; Enclosure Included	8	12	14	29	2800

Snow & Ice Detectors



CIT-1



APS-3C

- Main control unit for Automatic Snow & Ice Control Systems.
- By sensing both temperature and moisture the system activates and melts any snow & ice accumulations until conditions subside.
- NEMA 3R Enclosure is UL Listed and houses timers and switching electronics to operate the system.
- Capability to monitor up to 6 sensors (CIT-1).
- Unit can be manually activated and can be controlled and monitored from an optional remote switch (Model RCU-).
- Positioned above ground to maximize the sensors capability.
- Detects falling or blowing of precipitation such as snow when the temperature is below 38° F.
- Most common sensor device.

UPC#	MODEL	DESCRIPTION	DIMENSION (IN.)			WT. (LBS)	LIST
			Depth	Width	Height		
319614	APS-3C	Snow / Ice Control Switch	6.56	11.5	9.25	8	3100
319761	CIT-1	General Purpose Snow Sensor	3.25	3.25	4.13	1	1000

Note: Any snow & ice control system should be used with the correct sized control panel (with contactors & fusing) as supplied by factory or your electrical contractor. The APS-3C requires a control device (RCU-1, CIT-1, SIT-6E) in order to operate properly and must use 120V.

Contactors Enclosures



FEC-30-120

- Economical load handling / switch device, ideal for use with other control equipment.
- NEMA 1 Enclosures.
- Load rating up to 600V Max., 3-Pole.
- Magnetic contactor.

UPC#	MODEL	CONTACTOR AMPS	COIL VOLTAGE	CABINET SIZE (IN.)			WT. (LBS)	LIST
				Depth	Width	Height		
440851	FEC-30-120	30	120	5	6	10	5	201
440868	FEC-30-240		208/240					
440875	FEC-60-120	60	120					
440882	FEC-60-240		208/240					310

Note: Installer to provide overload protection for all infrared heaters.

Electric Infrared Heating Controls

Pre-Wired Contactor Panels



FPC2120



- Factory pre-wired for quick installation, with the following optional equipment:
Snow & Ice Detector (APS-3C)
Single & Two-Stage Thermostats
Two-stage thermostats require a minimum 2-contactors.
- Step-down transformer and secondary fusing for 24V or 120V control circuit.
- 3-Phase load rated.
- Fuses are NOT included.
- NEMA 1 Enclosures.
- Max 50-Amp branch circuit fusing.
- Made in U.S.A.

Note: Contact factory for 3R, 4, 4X, & NEMA 12 "special" built models.

IMPORTANT FUSING INFORMATION

Fuses are NOT included since panels can be used with various infrared heat sources. Quartz Lamp Heat Sources: Use FRS-600V (or equal) "Time Delay" fuses; Class RK-5. Quartz Tube & metal Sheath Heat Sources: Use KTS-R 600V (or equal) "Fast Acting" fuses; Class RK-1. Fuse circuits as close to calculated load as possible. Circuits less than 35 Amps will require the use of fuse reducers. *One heater only per circuit.

Standard Models

120-V CONTROL SYSTEM		24-V CONTROL SYSTEM		MAX AMPS	VOLTS	CABINET SIZE (IN.)			WT. (LBS)	LIST
UPC# 686334	MODEL	UPC# 686334	MODEL			DEPTH	WIDTH	HEIGHT		
445993	FPC8110	486439	FPC8210	50	208	6.75	16	24	52	1950
446006	FPC2110	486446	FPC2210		240					
446013	FPC7110	486453	FPC7210		277/480					
446020	FPC4110	486460	FPC4210		480					
446037	FPC8120	486477	FPC8220	100	208	6.75	16	24	70	2400
446044	FPC2120	486484	FPC2220		240					
446051	FPC7120	486491	FPC7220		277/480					
446068	FPC4120	486507	FPC4220		480					
446075	FPC8140	486514	FPC8240	200	208	6.75	24	30	88	3750
446082	FPC2140	486521	FPC2240		240					
446099	FPC7140	486538	FPC7240		277/480					
446105	FPC4140	486545	FPC4240		480					
446112	FPC8160	486552	FPC8260	300	208	6.75	30	36	106	4100
446129	FPC2160	486569	FPC2260		240					
446136	FPC7160	486576	FPC7260		277/480					
446143	FPC4160	486583	FPC4260		480					

FHK Series Portable Metal Sheath Electric Infrared Heater



2.0KW & 4.5KW
Stand Models

6.0KW & 13.5KW
Hand Cart Models

- Double side wall housings to reduce operating temperatures.
- 6.0 and 13.5KW heaters have double top baffles to reduce operating temperatures.
- 60° symmetrical heat pattern.
- Factory installed U-shaped metal sheath infrared heating elements have an average 5000 hour life.
- Heavy duty protective wire screens.
- GOLD anodized Aluminum internal reflector.
- Ground fault protection must be used.
- Made in U.S.A.

Square Feet Heated

KW	NON-PROTECTED AREA		SEMI-PROTECTED AREA		Required Clearance (from front of heater)
	BELOW 35 °F	ABOVE 35 °F	BELOW 35 °F	ABOVE 35 °F	
1.8 / 2.0	25	36	40	50	2 feet
4.5	64	75	90	125	3 feet
6	85	100	120	150	4 feet
13.5	192	225	270	375	7 feet

Standard FHK Models

UPC# 686334	MODEL	KW	BTU's	VOLTS	PH	AMPS	WT. (LBS)	LIST	OPTIONAL 25' POWER CORD		
									UPC# 686334	MODEL	LIST
881739	FHK-224-1A	2.0	6,826	240	1	8.3	17	518	880435	SO 16/3	97
881753	FHK-248-1A			480	1	4.2			880435	SO 16/3	
881784	FHK-424-1A	4.5	15,359	240	1	18.8	24	578	880459	SO 12/3	137
881807	FHK-448-1A			480	1	9.4			880466	SO 14/3	109
882910	FHK-624-3A	6.0	20,478	240	3	14.4	37	995	880497	SO 14/4	137
					1	25.0			880442	SO 10/3	150
882934	FHK-648-3A			480	3	7.5			880497	SO 14/4	137
					1	13			880466	SO 14/3	109
882965	FHK-1324-3A	13.5	46,076	240	3	33.0	65	1650	880510	SO 8/4	283
					3	17.0			316422	SO 12/4	149
882989	FHK-1348-3A			480	1	29.0			880527	SO 8/3	251

Contact Factory for Special Build Models @ 208V, 277V or 600V.

Factory Pre-Wired FHK Models With 15 Ft. Cord & Grounded Plug

UPC# 686334	MODEL	TYPE	KW	BTU's	VOLTS	PHASE	AMPS	WT. (LBS)	LIST
881715	FHK-212-1CA	STAND	1.8	6,143	120	1	15.0	18	497

FHK Infrared Control Options

UPC# 686334	MODEL #	DESCRIPTION	Operating Voltage (VAC)	Dimensions (In)			WT. (LBS)	LIST
				Ht.	Wd.	Dp.		
485814	TO-SK-1	Tip-Over Switch	208V - 600V	10.3	10.3	5.0	12	409
589376	DC-SK-1	Disconnect Switch	120V - 600V	5.0	6.0	4.0	5	378
486026	GF-SK-1	Ground Fault Sensing Switch	208V - 600V	10.3	10.3	5.0	12	774

Note: All SK-1 Models have NEMA-1 Enclosure, 50-Amp Max. & 1/3-Phase Rated.

Model "TO" & "GF" features include a positive "off" & a built-in on/off rocker switch that glows red during operation. Additionally, enclosure can mount directly to the terminal box on the back of the heater (FHK-6/13 only) or be mounted to a remote wall surface.



TO-SK-1
or GF-SK-1

CH Series Portable Quartz Infrared Heater



Chain mounted
CH 2212-1C



Portable Cart Unit CH 6424-1C
with FHK-1 Cart

MODEL CH 2212-1C has two 1000 Watt elements that can be switched on / off by toggle switches to produce 1000 Watts or 2000 Watts of heat. - 15' cord and NEMA 5-20 molded plug.

MODEL CH 6424-1C has two sets of 1425 Watt elements that can be switched on / off by toggle switches to produce 2850 Watts or 5700 Watts of heat. - 15' cord and NEMA L6-30 twist lock plug.

- 60° symmetrical heat pattern.
- Interior or protected outdoor use only.
- Made in U.S.A.
- Quartz tubes and built in wire guards included.
- GOLD anodized Aluminum reflector and end caps.

UPC# 686334	MODEL	KW	BTU's	VOLTS	PHASE	AMPS	WT. (LBS)	LIST	
884099	CH-2212-1C	2.0 / 1.0	6826 / 3413	120	1	16.7 / 8.35	16	564	
884105	CH-6424-1C	5.7 / 2.85	19454 / 9727	240	1	23.8 / 11.9	31	929	
852401	FHK-1	OPTIONAL CART						20	136



Note: CH-2212-1C operates with a 20- Amp molded plug.



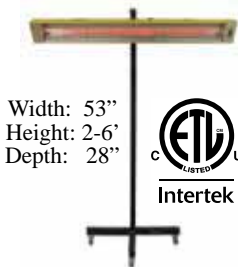
Note: CH-6424-1C operates with a 30- Amp twist lock plug.



Listed for overhead operation

PCH Series Portable Quartz Infrared Spot Heater

Portable Infrared Instant On-Off Heat Gun



Width: 53"
Height: 2-6'
Depth: 28"



Features

- Suitable for portable spot heat or for curing clear coat paint
- Height adjustable from 2' to 4'
- On-Off rocker switch standard
- 4 casters included; Tip-Over power cutoff safety switch
- 60° symmetrical heat pattern
- 5/8" diameter quartz tube included

- Average element life is 5000 hours
- Bright Aluminum reflector and end caps
- 20 gauge powder coated Steel housing
- 15' long, 3 wire (14/3) cordset with standard 3 pring NEMA 5-20P
- Made in U.S.A.

UPC# 686334	MODEL	WATTS	BTU's	VOLTS	PHASE	WT. (LBS)	LIST
884112	PCH-48C	1500	5120	120	1	30	520



Features

- Provides instant spot heat in a controlled pattern
- Spot cure retouched paint and other finishes
- De-wrinkle or relax materials such as cloth-vinyl-leather
- T-3 Tungsten IR lamp
- Ergonomically friendly, easy-grip handle

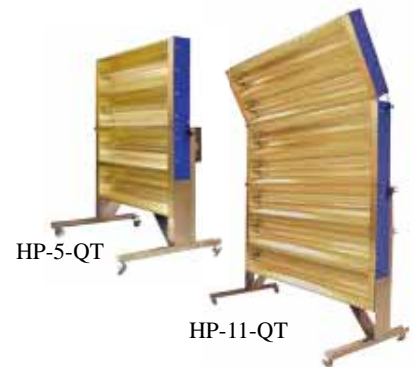
- 20' long, 18/3 grd. cordset with GFCI plug
- Made in U.S.A.

UPC# 686334	MODEL	WATTS	VOLTS	AMPS	WT. (LBS)	LIST
592284	RHG-1012A	1000	120	8.4	3	2063

Portable Electric Infrared Heat Panels

Features

- Portable panels are built to withstand rigors of industrial and heavy-commercial applications, such as auto collision repair shops.
- 20 gauge steel frame, base, and housing construction.
- 3" steel casters for high stability and ease of mobility
- Gold anodized Aluminum reflectors and end caps allow 10% faster cure time than polished Aluminum reflectors, especially in paint and dust-laden atmospheres.
- Elements achieve full temperature in less than 2 minutes
- Fused disconnect switches are installed on the back of each unit.
- Units are positioned with adjustable hinges allowing the user to use direct heat more precisely to the target area.
- Gentle but effective medium-wave radiant heat can quickly boost, flash-off, or cure a variety of finishes, and lessens the chance of blistering and/or overheating the coating.
- Medium-wave infrared heating elements are also effective for flash-off of water-based clear coatings being mandated by environmental agencies in many states.
- Made in U.S.A.



General Curing Guidelines

Material Type	Solvent Based Primer	Water Based Primer	Two Component Primer	Water Based Clear Coat	Acrylic enamel & Polyurethane Clear Coat	Urethane Clear Coat & High Solids Top Coat
Curing Time	3-5 mins	3-6 mins	8-20 mins	3-10 mins	12-30 mins	10-30 mins

Note: Curing times will vary depending on material and shop conditions. This chart is based on distances of 18-24" away from the target area.

Standard Models

UPC# 686334	MODEL	WATTS	VOLTS	AMPS	HEAT SOURCES	CABLE TYPE (20')	DIMENSION (IN.)		HEATED AREA (IN.)		WT. (LBS)	LIST
							Width	Height	Width	Height		
884129	HP-5-QT	4,800	240	20	4	12-3 SO	44-5/8	56-1/2	40	44	116	2807
884136	HP-6-QT	6,400		26.7	4		66-5/8		61	141	3245	
884143	HP-11-QT	11,200		46.7	7		6-3 SO	89-1/2	77	225	5974	

FES & YES Series Heat Wave™ Portable Electric & Wall or Ceiling Mounted Salamander

FES Series Product Features & Information



AVERAGE MINUTES TO ACHIEVE TEMPERATURE RISE*						
BUILDING SIZE:	1000 SQ. FEET		1500 SQ. FEET		2000 SQ. FEET	
	TEMP RISE		TEMP RISE		TEMP RISE	
HEATER:	20 °F	40 °F	20 °F	40 °F	20 °F	40 °F
9/ 10 KW	70 min	140 min	105 min	210 min	---	---
15 KW	47 min	94 min	71 min	142 min	94 min	188 min
30 KW	23 min	46 min	35 min	70 min	47 min	94 min
45 KW	10 min	30 min	20 min	35 min	35 min	40 min

* Based on a 15' ceiling height - lower ceiling height will reduce time required

- Safety yellow heater enclosure with safety screens on both air intake and output openings.
- Optional 25' long SO type cord, ready for plug attachment is available for each model.
- Long-life finned tubular heating elements.
- Thermostat adjustment 40° to 100° F.
- Magnetic contactor.
- High-limit thermal cutout switch. / Automatic reset.
- Fan only operation.
- 10" wheels.
- 800 CFM: 9, 10, & 15KW units - 1100 CFM-30KW units.
- Made in U.S.A.

**THE ELECTRIC
ALTERNATIVE TO
PROPANE AND
KEROSENE SPACE
HEATERS**

Standard FES Models

UPC#	MODEL	KW	BTU's	VOLTS	PH	AMPS	TEMP RISE	WT. (LBS)	LIST	OPTIONAL 25' POWER CORD*			
686334										UPC#	MODEL	AMP RATING	LIST
886017	FES-1520-3A	15	51195	208	3	42	45°F	65	1658	686334			
886079	FES-1524-1A	15	51195	240	1	63	45°F	69		316408	SO 6/4	45	310
886024	FES-1524-3E	15	51195	240	3	36	45°F	65		880530	SO 4/3	70	269
886031	FES-1548-3E	15	51195	480	3	18	45°F	65		316422	SO 12/4	20	149
886048	FES-1560-3A	15	51195	600	3	15	45°F	65					
886055	FES-3048-3A	30	102390	480	3	36	90°F	83	2614				
886062	FES-3060-3A	30	102390	600	3	29	45°F	65	2745				

9 & 10 KW, 240V, 1Phase factory pre-wired model with 10 ft. cable & straight blade range plug. *Plug not included.



UPC#	MODEL	KW	BTU's	VOLTS	PHASE	AMPS	TEMP RISE	WT. (LBS)	LIST
686334									
874434	FES-0924-1C	9	30717	240	1	38	25°F	55	1578
886000	FES-1024-1CA	10	34130	240	1	42	30°F	60	1578

45 Kilowatt FES Model

OPTIONAL 25' POWER CORD		
UPC# 686334	MODEL	LIST
316439	SO 4/4	315
316408	SO 6/4	310

UPC#	MODEL	KW	BTU's	VOLTS	PH	AMPS	TEMP RISE	WT. (LBS)	LIST
686334									
872225	FES-4548-3	45	153585	480	3	54.2	70°F	125	4322
487405	FES-4560-3	45	153585	600	3	44	70°F	125	4543

- Safety yellow heater enclosure with safety screens on both air intake and output openings.
- Optional 25' long SO type cord, ready for plug attachment is available for each model.
- Long-life finned tubular heating elements.
- Thermostat adjustment 40° to 100° F.
- Two 10" rear wheels and a front locking caster.
- High-limit thermal cutout switch with manual reset.
- 2200 CFM
- Fan only operation feature
- Made in U.S.A.



Standard YES Models

- Wall / ceiling mount included with unit
- Made in U.S.A.
- Unit is ready for direct wiring
- Thermostat adjustment 40° to 100° F.

UPC#	MODEL	KW	BTU's	VOLTS	PHASE	AMPS	TEMP RISE	WT. (LBS)	LIST
686334									
886086	YES-1520-3A	15	51195	208	3	42	45°F	60	1578
886185	YES-1524-1A	15	51195	240	1	63	45°F		
886093	YES-1524-3E	15	51195	240	3	36	45°F		
886109	YES-1548-3E	15	51195	480	3	18	45°F		
886123	YES-3048-3A	30	102390	480	3	36	90°F	72	2489



Wall Mounted



Ceiling Mounted

198 Series 120 Volt Radiant and/or Fan Forced Portable Heater

- 3-Heat settings:
 - 600 Watt radiant
 - 900 Watt fan forced
 - 1500 Watt radiant & fan forced
- Temperature control thermostat
- Dual safety system:
 - Tip over switch
 - Manual reset type limit control
- 6' long - 3 conductor cord
- 1 year limited warranty
- Imported to TPI Corporation specifications

Width: 11"
Height: 15"
Depth: 12"



Standard Models

UPC#	MODEL	WATTS	MAX BTU's	VOLTS	AMPS	PHASE	WT. (LBS)	LIST
686334								
445092	198 TMC	1500 / 900 / 600	5120	120	12.5 / 7.5 / 5	1	9	153



178 Series 120 Volt Ceramic Fan Forced Portable Heater



- Two heat settings: 1500W / 950W plus fan only setting (20W)
- Temperature control thermostat
- 6' long - 3 conductor cord
- Double safety system:
 - Automatic reset type limit control
 - Thermal cut-off device
- Imported to TPI Corporation specifications

Width: 11-1/4"
Height: 10"
Depth: 7"

Standard Models

UPC#	MODEL	WATTS	MAX BTU's	VOLTS	AMPS	PHASE	WT. (LBS)	LIST
686334								
445931	178 TMC	1500 / 950	5120	120	12.5 / 7.1	1	8	136

Note: Photograph is a representation of stocked models. Actual model may vary in appearance.

188 Series 120 Volt "Milk-house" Style Fan Forced Portable Heater

- 1300W & 1500W heat settings plus fan only setting
- Temperature control thermostat
- 6' long - 3 conductor cord
- Triple safety system:
 - Tip over switch
 - Automatic reset type limit control
 - Thermal cut-off device
- Imported to TPI Corporation specifications

Width: 10"
Height: 16"
Depth: 9-1/2"



Standard Models

UPC#	MODEL	WATTS	MAX BTU's	VOLTS	AMPS	PHASE	WT. (LBS)	LIST
686334								
800419	188 TASA	1500 / 1300	5120	120	12.5 / 10.8	1	9	91



E3915 Series Portable Hydronic Baseboard



- Manual reset limit control
- 2 stage thermostat (750 Watt / 1500 Watt)
- Positive On / Off switch
- Heavy duty cabinet construction
- Includes heavy duty carry handle



UPC#	MODEL	WATTS	MAX BTU's	VOLTS	AMPS	PHASE	WT. (LBS)	LIST
686334								
118675	E3915-60P	1500/750	5120	120	12.5 / 6.25	1	35	715

483 Series 120 Volt Portable Baseboard Convection Heater

- 1500 Watt convection heater
- Temperature control thermostat
- Manual reset type limit control
- Power on indicator light
- 6' long - 3 conductor cord
- Imported to TPI Corporation specifications

Width: 48"
Height: 5-1/4"
Depth: 7-1/2"



Standard Models

UPC#	MODEL	WATTS	MAX BTU's	VOLTS	AMPS	PHASE	WT. (LBS)	LIST
686334								
870887	483 TM	1500	5120	120	12.5	1	13	161



474 Series 240 Volt Dual Heat Fan Forced Portable Heater

80



- 2000W & 4000W heat settings
- Temperature control thermostat
- Manual reset type limit control
- 6' long - 3 conductor cord
- Imported to TPI Corporation specifications

Width: 16"
Height: 16"
Depth: 8-1/2"



UPC#	MODEL	WATTS	MAX BTU's	VOLTS	AMPS	PHASE	WT. (LBS)	LIST
686334								
446181	H474TM-C	2000 / 4000	13652	240	8.3 / 16.6	1	20	236

5800 Series Garage/Workshop 240/208 Volt Fan Forced Portable Heater



- Up to 4800 Watts of heating comfort for garage or utility room applications
- 4000 Watts available for smaller areas.
- Built in bi-metal double pole thermostat - 50° to 90° range.
- Steel tubular heating element
- Wall/Ceiling bracket included
- Manual reset standard
- Power on and overheat pilot lights

- Imported to TPI Corporation specifications

ITEM	WIDTH	HEIGHT	DEPTH
Heater	10.625	11"	9.625"
Bracket	2.5"	10"	14.0"

UPC#	MODEL	WATTS	MAX BTU's	VOLTS	AMPS	PHASE	PLUG TYPE	WT. (LBS)	LIST
686334									
503402	HF5840TC	4000/3000	13652	240 / 208	16.6 / 14.4	1	20 Amp	17	232
503396	HF5848TC	4800/3600	15086		20 / 17.3		30 Amp		309

ICH Series 240/208 Volt Construction Site/Utility Fan Forced Portable Heater

- Operates on 240V or 208V
- Steel tubular heating element
- 43°F air heat rise
- Internal overheat thermostat
- Temperature control thermostat
- 6' long cordset

- Imported to TPI Corporation specifications



Width: 10 5/8"
Height: 12 3/4"
Depth: 10"



UPC#	MODEL	WATTS	MAX BTU's	VOLTS	AMPS	PHASE	WT. (LBS)	LIST
686334								
450874	ICH-240C	4000 / 3000	13648	240 / 208	16.7 / 14.4	1	15	255

680 Series "Bulldog" 240/208 Volt Fan Forced Portable Unit Heater

Swivel base allows unit to be wall, floor, or ceiling mounted.



- Operates on 240V or 208V
- Finned steel tubular heating element
- Internal manual reset thermal cut-out
- 6' long cord with molded plug
- Temperature control thermostat with 35°F to 85°F range
- 10' air throw - 262 CFM
- Imported to TPI Corporation specifications



Width: 13 1/2"
Height: 17 1/2"
Depth: 11 1/2"

UPC#	MODEL	WATTS	MAX BTU's	VOLTS	PHASE	AMPS	TEMP RISE	WT. (LBS)	LIST	
686334										
446280	*HF684TC	4000/3000	13652/10239	240/208	1	16.7/14.5	48 °F	20	389	
446297	HF685TC	4800/3600	16384/12288	240/208	1	20.0/17.4	58°F	20	407	
446303	HF686TC	5600/4200	19107/14330	240/208	1	23.4/20.2	75 °F	20	457	
683500	A1560	OPTIONAL WALL CEILING BRACKET FOR HF680 & ICH 240C SERIES HEATERS								77

* HF684TC UL listed only

"Under-The-Desk" Confined Space Radiant Heat Panel



- Use under desks for personal comfort or in small areas for freeze protection or moisture removal.
 - Built in stand.
 - Temperature control thermostat.
 - 6' long - 3 conductor cord
 - Made in U.S.A.
- Width: 22-3/4"
Height: 8"
Depth: 1-3/4"

Standard Models

UPC#	MODEL	WATTS	BTU's	VOLTS	PHASE	WT. (LBS)	LIST
686334							
450881	170-TS	170	580	120	1	9	162

Specialty Heaters

RPH Series Pump House Convection Specialty Heater



- Provides protection against freezing for pump houses, utility rooms, relay stations, construction sheds, etc.
- Aluminum finned heating element
- Powder coated epoxy steel case
- Automatic temperature control thermostat with a 35°F to 65°F range.
- Dimension 20" x 5-1/2" x 4"
- Made in U.S.A.

Standard Models

UPC#	MODEL	WATTS	BTU's	VOLTS	AMPS	WT. (LBS)	LIST
686334							
999083	RPH1-5A	500	1706	120	4.2	5	206
999090	RPH2-5A	500	1706	240	2.1	5	
International Models							
984263	RPH22-5Ai	500	1706	220	2.3	5	206
984270	RPH2-5Ai			240	2.1		

FH Series In-Floor Fan Forced Specialty Heater



- Powder coated 20 gauge steel case
- 14 gauge grill
- Steel spiral finned heating element
- Auto reset thermal cut out with audible alarm.
- Floor opening: 14-1/8" x 7-1/4" x 7-3/8"
- Grill dimensions: 15-13/16" x 8-13/16"
- Made in U.S.A.

Standard Models

UPC#	MODEL	WATTS	BTU's	VOLTS	AMPS	WT. (LBS)	LIST
686334							
378239	FH15	750	2560	120	6.25	15	590
		1500	5120	120	12.5		
		1500/1125	5120 / 3840	240/208	6.25/5.41		
OPTIONAL FIELD INSTALLED THERMOSTATS							
378277	FH1T	Single Pole Integral Thermostat Kit				1	156

TSH Series Fan Forced Kickspace Specialty Heater



- Fits into soffits, stair risers or under utility cabinets
- Finned steel heating element.
- Manual reset thermal cut-out
- Recessed opening: 22-3/8" x 3-5/8" x 11-1/2"
- Grill dimensions: 23-7/8 x 3-5/16
- Made in U.S.A.

Standard Models

UPC#	MODEL	WATTS	BTU's	VOLTS	AMPS	WT. (LBS)	LIST
686334							
381802	TSH20J	1500 / 1000	5120 / 3412	120	12.5 / 8.4	16	353
		1500 / 750	5120 / 2560	208	7.2 / 3.6		
		2000 / 1000	6284 / 3412	240	8.4 / 4.2		
970174	TSH20JW	Above Model with White Grill					
OPTIONAL FIELD INSTALLED THERMOSTATS							
378376	TSH1TX	Single Pole Integral Thermostat Kit				1	81
378383	TSH2TX	Double Pole Integral Thermostat Kit				1	

CF-C Series TPI Commercial Air Curtains

Features



- Super thin body, full metal housing
- Cross flow, 2-speed fans
- Adjustable air deflector
- Mechanical control
- Units are 120V at 60Hz

Standard Models



UPC # 686334	MODEL	WATTS	CFM		FPM		NOISE LEVEL (dB)		DIMENSIONS			WT. (LBS)	LIST
			HIGH	LOW	HIGH	LOW	HIGH	LOW	"L"	"W"	"H"		
876445	CF35-C	300	1177	942	2560	1968	67	65	35"			33.1	388
876452	CF47-C	350	1648	1295	2560	1968	69	67	47"	8-3/4"	10-1/4"	43	450
876469	CF59-C	400	2119	1648	2560	1968	71	69	59"			48.5	538

CF & CFH Series Variable Speed Air Curtains

Product Specifications

CABINET & CONSTRUCTION: Shall be constructed of 20 gauge rigid steel with baked on epoxy powder coat paint for durability. Made in U.S.A.

DISCHARGE VANES: Shall extend the entire width of the unit and be adjustable for optimum performance of air flow.

BLOWERS: Shall be forward curved centrifugal type, DWDI with corrosion resistance scroll and wheel.

MOTORS: Shall be heavy duty, PSC, direct drive high efficiency and designed for use with SCR controllers. Motors shall be permanently lubricated for long life and have thermal over load protection. Motor shall have double insulation protection for quieter operation. Quick disconnects shall be supplied to accommodate easy installation and service of motor.

SCR SPEED CONTROLLER: Supplied on all units compatible with the motor with low end adjustment for air volume control and savings in power consumption.

ELECTRIC HEAT (OPTIONAL): Electric heater available as field installed option. Electric heater shall be steel sheath element with helical wound steel fins for maximum heat transfer and safety.



UPC# 686334	SIZE (in)	MODEL	FT. / MIN. HI - LOW	NOZZLE CFM	VOLTS	RPM HI - LOW	AMPS HI - LOW	WATTS HI - LOW	WT. (LBS)	LIST	
STANDARD UNITS: 1/2 HP MODELS - UP TO 10' HIGH DOORWAYS - WITHOUT HEAT SECTION											
671200	36	CF36	3288/455	2672/333	120	1659/620	3.9/3.4	472/154	74	1624	
671217	48	CF48	4168/786	4515/766		1606/583	4.4/3.6	519/189	82	1761	
671224	60	CF60	4168/764	6544/931		1636/562	4.4/3.8	509/199	90	1899	
	72	2 EA: CF36	3288/455	5344/666		1659/620	7.8/6.8	944/308	148	3154	
	96	2 EA: CF48	4168/786	9030/1532		1606/583	8.8/7.2	1038/378	164	3418	
	108	3 EA: CF36	3288/455	8016/999		1659/620	11.7/10.2	1416/462	222	4732	
	120	1 EA: CF48	4168/786	9859/1432		1606/583	12.2/10.4	1982/497	230	4863	
		2 EA: CF36	2672/333								
HEAVY DUTY UNITS: 3/4 HP MODELS - UP TO 12' HIGH DOORWAYS - WITHOUT HEAT SECTION											
671231	36	CFHD36	3288/1120	2672/819		120	1689/603	4.4/4.3	603/192	77	1709
671248	48	CFHD48	4256/929	4611/906	1662/500		5.9/4.8	586/168	85	1846	
671255	60	CFHD60	4256/924	5763/1126	1652/509		5.2/4.4	708/172	93	1988	
	72	2 EA: CFHD36	3288/1120	5344/1638	1689/603		8.8/8.6	1206/384	154	3319	
	96	2 EA: CFHD48	4256/929	9222/1812	1662/500		11.8/9.6	1172/336	170	3585	
	108	3 EA: CFHD36	3288/1120	8016/2457	1689/603		13.2/12.9	1809/576	231	4978	
	120	1 EA: CFHD48	4256/929	9955/2544	1662/500		14.7/13.4	2981/552	239	5110	
		2 EA: CFHD36	3288/1120								

EXAMPLE					Use the example shown (left) to order unit with heat section by specification
Model #	Unit Width	KW	Volts	Phase	
CFHTR	36	10.0	208	3	



Air Curtain with Heater Module

NOTE: All heating sections are constructed of totally enclosed fin tubular elements for safety and longer operating life. With heating section installed, unit becomes a 24 Volt control unit and can utilize a low voltage thermostat for control of heating.

NOTE: For 72" through 120" units, order multiple heater modules corresponding to the actual air curtain models

MODEL	HEATER WIDTH	KW	VOLTS	PHASE	HEATER AMPS	MINIMUM CIRCUIT AMPS	MAXIMUM FUSE AMPS	BTU/H	75°C WIRE AWG	LIST
CFHTR	36, 48, or 60 Inch Width NOTE: 12KW MAXIMUM ON 36" WIDTH UNITS	3	208	3	8.3	10.4	15	10,239	14	36" - 1242 48" - 1371 60" - 1419
					7.2	9.0	15			
					3.6	4.5	15			
					10.8	13.5	15			
					14.4	18.0	20			
					12.5	15.6	20			
		5	208	1	13.8	17.25	20	17,075	12	
					12.0	15.0	20			
					6.0	7.5	15			
					18.0	22.5	25			
					24.0	30.0	35			
					20.8	26.6	30			
		7.5	208	3	20.8	26.0	30	25,597	10	
					18.0	22.5	25			
					9.0	11.3	15			
					27.0	33.8	40			
					36.0	45.0	50			
					31.2	39.0	45			
		10	208	1	27.4	34.4	40	34,130	8	
					24.0	30.1	35			
					12.0	15.0	20			
					36.1	45.1	50			
					41.6	52.0	60			
					33.3	41.6	45			
12	208	3	28.8	36.0	40	40,956	8			
			14.4	18.0	20					
			43.3	54.1	60					
			41.6	52.0	60					
			36.0	36.0	55					
			18.0	18.0	30					
15	208	3	36.0	36.0	55	51,195	6			
			18.0	18.0	30					

Thermostats & Controls

ET Series - Line Voltage



Features

- Single pole and double pole
- Heat only, cool only, & heat or cool
- DP models include positive off
- Celsius and Fahrenheit temperature scale
- Optional Thermometer
- 22 Amps, 277 Volts AC
- Made in U.S.A.

UPC #	MODEL	DESCRIPTION	LIST
686334			
538725	AET5DWS	Double Pole 22 Amp, 120-277V with leads, Anticipator	43
538732	AET5SWS	Single Pole 22 Amp, 120-277V with leads, Anticipator	39
538886	ET5DS	Double Pole 22 Amp, 120-277V, Heat Only	34
538749	ET5D4S	Double Pole 22 Amp, 120-277V, 35-75°F Temp Range	35
538756	ET5DTS	Double Pole 22 Amp, 120-277V, with Thermometer, Heat Only	36
538763	ET5DWS	Double Pole 22 Amp, 120-277V, Heat Only with Leads	35
538770	ET5MS	Heat Only, 2 Stage	37
538787	ET5SS	Single Pole 22 Amp, 120-277V, Heat Only	29
538794	ET5S4S	Single Pole 22 Amp, 120-277V, 35-75°F Temp Range	32
538800	ET5SRS	Single Pole 22 Amp, Cooling Only	29
538893	ET5SRTS	Single Pole Cool with Thermometer	32
538817	ET5STS	Single Pole 22 Amp, Heat Only with Thermometer	32
538824	ET5SWS	Single Pole 22 Amp, Heat Only with Leads	34
538831	ETD5MS	Double Throw, 2 Stage Heat, 1 Stage Cool	37
538848	ETD5MTS	2 Heat, 1 Cool with Thermometer	39
538855	ETD5SS	Single Pole Double Throw Heat/Cool	32
538862	ETD5STS	Single Pole Double Throw Heat/Cool with Thermometer	34

EPET Series and HLT Series Hazardous Location



Features

- SPDT & DPDT Models
- Heat or cool compatible
- Celsius and Fahrenheit temperature scale
- Bi-Metal or capillary sensor
- Snap action switch
- Casting tapered top and bottom for 3/4" conduit
- 1/2" thick cast Aluminum housing
- Dimension 5-3/4" x 6-3/8" x 5.57"
- Made in U.S.A.

Motor Rating (full load): 3/4 HP @ 125V, 1-1/2 HP @ 250V
 Pilot Duty Rating 125VA @ 24VAC
 NEMA Class Seven Div. 1 Approved
 Class I Group C & D, Class II Group E, F, & G
 Not rated for Group B

UPC#	MODEL	DESCRIPTION	LOAD RATINGS	RANGE	LIST
686334					
538077	EPETD8D	DPDT - Bi-Metal	22A @ 120-277VAC	50-90°F	348
538107	EPETD8S	SPDT - Bi-Metal	22A @ 120-277VAC	50-90°F	348
528078	EPETP8D	DPDT - Bi-Metal	22A @ 120-480VAC	50-90°F	348
528061	EPETP8S	SPDT - Bi-Metal	22A @ 120-480VAC	50-90°F	348
523158	HLT-1	SPDT - Capillary	22A @ 120-277VAC	40-110°F	500
523165	HLT-2	DPDT - Capillary	22A @ 120-277VAC	40-110°F	528
Master ctn: 4 pcs, 24 lbs (varies slightly by model), 16" x 14.5" x 6"					
EPET Series incorporate plastic knob & Bi-Metal Sensor housing.					
HLT Series incorporates screwdriver temperature adjustment slot and all metal housing. External bulb and capillary sensor.					

2000 Series - Line Voltage



Features

- Shadow White or Ivory
- Single pole and double pole
- Heat Only
- DP models include positive off
- 22 Amps, 277 Volts AC
- Imported to TPI Corporation specifications

UPC#	MODEL	COLOR	DESCRIPTION	LIST
686334				
502849	S2022H10AA	Shadow White	Single Pole with leads, 22 Amp	36
502436	S2022H10AB	Ivory		
502856	D2022H10BA	Shadow White	Double pole with leads, 22 Amp	47
502443	D2022H10BB	Ivory		
502917	S2025H10AA	Shadow White	Single Pole with leads, 25 Amp	53
502924	D2025H10BA	Shadow White	Double pole with leads, 25 Amp	62

Thermostats & Controls

TW Series



Features

- Single and double pole models
- Wire leads
- Tamper resistant
- Imported to TPI Corporation specifications

Load Rating

- 22 Amps resistive @ 120 VAC
- 18 Amps resistive @ 277 VAC

UPC# 686334	MODEL	DESCRIPTION	TEMPERATURE SCALE	LIST
502009	TW145	SP, Beige with Leads	Tamper Resistant	61
502016	TW146	DP, Beige with Leads	Tamper Resistant	72

Master Carton: 25 Pcs, 12 lbs. (varies slightly by model), 16" x 14" x 5.5"

Washdown Series



Features

- Single and double pole models
- Rain tight NEMA 4X rating
- Stainless steel hardware
- Coil capillary temperature sensor
- Made in U.S.A. with domestic and foreign components.

UPC# 686334	MODEL	DESCRIPTION	TEMPERATURE SCALE	LIST
523424	TW155A	SP, Rain tight	40-110°F	185
523431	TW255A	DP, Rain tight	40-110°F	216

22 Amps @ 120/250/277 VAC, 5" x 5" x 3" Case

Industrial Series



Features

- Coil capillary (CKT) models
- Bi-Metal models (KT)
- Rugged steel case
- SPST & SDPT models
- Imported to TPI Corporation specifications
- Hard wired models rated for 22A resistive @ 125-250 VAC
- Corded models rated for 13A resistive @ 125VAC

UPC# 686334	MODEL	DESCRIPTION	RANGE	CONNECTIONS	SCALE	LIST
534048	CKTD110	SPDT Heat or Cool	40 - 110°F	Wire Leads	F	114
534086	KT110	SPST Heat Only	-10 - 100°F	Wire Leads	C & F	48
534109	KT121	SPST Heat Only	-10 - 100°F	6' Cord/Plug	C & F	53
534178	KTD110	SPDT Heat or Cool	-10 - 100°F	Wire Leads	C & F	48
534369	KTO110	SPST Cool Only	-10 - 100°F	Wire Leads	C & F	48
534215	KTO121	SPST Cool Only	-10 - 100°F	6' Cord/Plug	C & F	53

Master Carton: 13.75" x 14" x 9", Qty 9-12, 14lbs.-16lbs. depending on model

LB Series - Bi-Metal In-Built Thermostats



LB110



LB210



Features

- Bi-Metal sensor
- HP Ratings: 3/4HP @ 125 VAC - 1.5HP @ 250-277 VAC
- 22 Amps resistive max

UPC# 686334	MODEL	DESCRIPTION	VOLTAGE	RANGE	CONNECTIONS	LIST
536134	LB110	SPST Heat Only	120-277 VAC	0 - 110°F	6" - 14 Gauge Leads	26
536202	LB210	DPST Heat Only			6" - 14 Gauge Leads	35

Master Carton: 16" x 14.5" x 6", Qty 25-50, 11lbs.-14lbs. depending on model.

Thermostats & Controls

LR Series - Bi-Metal Outdoor Thermostats

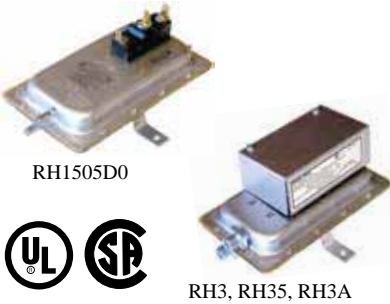


Features

- Bi-Metal sensor
- HP Ratings: 3/4HP @ 125 VAC - 1.5HP @ 250-277 VAC
- 22 Amps resistive max

UPC#	MODEL	DESCRIPTION	VOLTAGE	RANGE	CONNECTIONS	LIST
686334						
536257	LR100A	SPST Heat Only	120-277 VAC	0 - 110°F	6" - 14 Gauge Leads	22
536301	LRD100A	SPDT Heat/Cool			6" - 14 Gauge Leads	24
536394	LRO100A	SPST Cool Only			6" - 14 Gauge Leads	24
Master Carton: 16" x 14.5" x 6", Qty 50, 15lbs.-16lbs. depending on model.						

RH Series - Air Flow / Differential Pressure Switch Controls

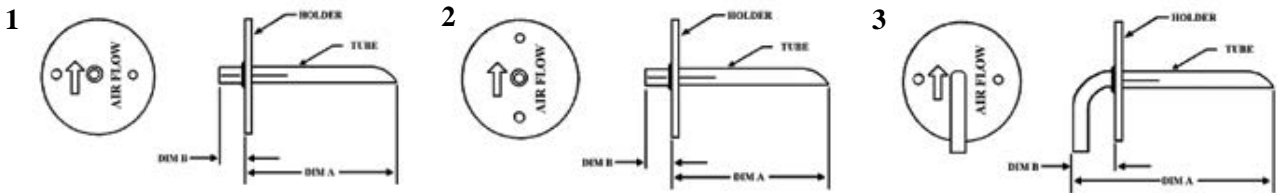


Features

- Senses pressure or vacuum
- Adjustable or fixed pressure
- Automatic reset
- Tube, barbed, or compression fittings

UPC#	MODEL	PRESSURE SET	VOLTAGE	RANGE	CONNECTIONS	LIST
686334						
546072	RH1505D0	Fixed	120-277 VAC	0.05" WC	Tube (both sides)	40
546218	RH3	Adjustable		0.05" - 12" WC	Barbed (both sides)	58
546232	RH35	Adjustable		0.05" - 2.0" WC	Barbed (both sides)	58
546317	RH3A	Adjustable		0.05" - 12" WC	Compression (both sides)	52
Master Carton (RH1505D0): 25.5" x 17.75" x 13.5", Qty 48, 36lbs Master Carton (RH3, RH35, RH3A): 15.25" x 15" x 14", Qty 24, 28-32lbs depending on model.						

Pilot Tubes (for RH Series Air Flow / Differential Pressure Switch Controls)



PCN#	MODEL	"A" DIMENSION	"B" DIMENSION	FIGURE #	LIST
94227000	61-01730-00	4.29"	0.69"	1	8
94227003	61-01730-003	6.69"	0.69"	1	
94228000	61-01729-00	4.00"	0.50"	2	
94228020	61-01729-20	2.00"	0.50"	2	
94228021	61-01729-21	1.50"	0.50"	2	
94228022	61-01729-22	6.00"	0.50"	2	
94228027	61-01729-27	3.50"	0.50"	3	

Electromechanical Humidistat



Features

- 4.4 amp @ 120VAC
- 2.2 amp @ 240VAC
- 50VA @ 24VAC - 240VAC
- 10% - 60% relative humidity range

Standard Models

UPC#	MODEL	DESCRIPTION	LIST
686334			
523370	H46D1214	Humidistat/Electromechanical	187

Electromechanical De-Humidistat



Features

- 4.4 amp @ 120VAC
- 2.2 amp @ 240VAC
- 50VA @ 24VAC - 240VAC
- 10% - 60% relative humidity range

Standard Models

UPC#	MODEL	DESCRIPTION	LIST
686334			
589147	H1D1AA	Dehumidistat/Electromechanical	72

Thermostats & Controls

SD Series - Setback on Demand Thermostat® by TPI Corporation

FULLY AUTOMATIC: All the savings without any of the hassles of a programmable thermostat. Once installed, everything is automatic. When people are present it automatically controls to the comfort setting. When they leave, it automatically returns to the economy setting.

SMART COMFORT: The SD thermostat learns your schedule so you arrive to a comfortable temperature. Holidays are no problem. When no-one arrives, it automatically returns to the economy setting.

AUTO-CHANGEOVER: Our Auto-Changeover doesn't limit your comfort settings. We incorporate an adjustable deadband to protect your equipment while maintaining comfort. Factory set at 2 degrees, but adjustable from 1-5 degrees.

ONE MODEL WORKS WITH ALMOST ANY LOW VOLTAGE SYSTEM: The SD thermostat works with low voltage systems up to 4 stages of heat, 4 stages of cool, or any combination up to a total of 4 stages including Heat Pumps.

NEW SDRF: This model is the wireless version of the SDHW thermostat. Now you can mount the thermostat in the best location without running extra wires. Requires a separate TPI RF relay.

RFR5002: This is the low voltage RF relay that works with the SDRF thermostat for the same 4 stages as the SDHW thermostat.

SRRFK5002: This SDRF Kit incorporates the SDRF1001 thermostat and RFR5002 relay in a kit that has been pre-linked at the factory.

SDRMT001: Wired remote temperature and motion sensor combination. Use either or both.

NOTE: Made in U.S.A. with domestic and foreign components.



UPC#	MODEL	COLOR	TYPE	LIST
686334				
523646	SDHW1001	Shadow	Hardwire	387
523653	SDRF1001*	White	Wireless	313

*Can only be used with TPI Corporation RF relays.

Wireless RF Interface Series



Features

- Heat only, Cool only / 4 wire Heat/Cool
- Standard 2 stage Heat/ 1 Stage Cool Heat Pumps
- Multistage heating and/or cooling equipment
- Made in U.S.A. with domestic and foreign components
- Works with most low voltage thermostats
- Temp Range: 50-130 °F
- Max Operating Range: 50 Feet

UPC#	MODEL	DESCRIPTION	VOLTAGE	CONNECTION	LIST
686334					
523554	RFT-1	RF Thermostat Transmitter Dim: 4" x 5" x .875"	2-AAA Batteries	6 Wires	103
523561	RFR-5	RF Relay Interface Dim: 4.5" x 6" x 1.25"	24 VAC	R-C-R1 1-2-3-4-5	103
523578	RFRKit-5	RFT-1 & RFR-5 Package	2-AAA 24 VAC	R-C-R1 1-2-3-4-5	206
534673	RFR5002	Wireless relay for low voltage systems. Use with SDRF thermostat.	24 VAC	R-C-R1 1-2-3-4-5	125
534680	SDRFK5002	SDRF1001 thermostat and RFR5002 relay kit package.	2-AAA 24 VAC	R-C-R1 1-2-3-4-5 (Wireless)	438
534697	SDRMT001	Remote motion and temperature sensor for SD thermostats.	2-AA	Wireless	125

Honeywell Line Voltage Thermostats



T4398A 1021
Precision Mechanical



Features

- Heat only thermostats
- Accurate temperature control
- 22 Amp resistive for mechanical models

Standard Models

UPC#	MODEL	VOLTAGE	DIMENSIONS	DESCRIPTION	LIST
686334					
503303	T4398A 1021	120-240	2.875"x4.375"x2.00D	Precision Electric Heating. SPST, 50-80 °F, 22 Amp @ 120-240V 19 Amp @ 277V	64



TL8230A 1003
Electronic Programmable



Features

- Heat only thermostats
- Accurate temperature control
- 16 Amp resistive for electronic models
- Energy Star compliant.

Standard Models

UPC#	MODEL	VOLTAGE	DIMENSIONS	DESCRIPTION	LIST
686334					
503365	TL8230A 1003	240/208	2.70"x4.90"x.90D	Electronic Programmable Line Voltage DPST, 15 Amp, 40-86 °F	185

Thermostats & Controls

Low Voltage Programmable Thermostats



TH115-A-024T

Features

- 7 Day, 4 Settings Per Day
- Control Accuracy +/- 1°F of Setpoint Temp
- Pre-Programmed or Custom Settings
- Backlit Display, Energy Star Compliant

Standard Models

UPC# 686334	MODEL	DESCRIPTION	LIST
523400	TH115-A-024T	Heat Only Temp Range:40-86°F Dims:4.89"H x 2.79"W x .91"D	125

Features

- 7 Day, 4 Settings Per Day
- Control Accuracy +/- 1°F of Setpoint Temp
- Pre-Programmed or Custom Settings
- Backlit Display, Energy Star Compliant

Standard Models



TH147-P

UPC# 686334	MODEL	DESCRIPTION	LIST
523585	TH147-P	7 Day, 4 Settings per Day, Heating/Cooling, 1 Stage Heat/Cool Temp Range Heat:41-82°F, Cool:59-95°F Dims: 5"W x 3"H x 1"D	149

2 Stage Low Voltage Thermostat

Features

- 24V single or 2 stage heat and cool
- Gas, oil, or electric with air conditioning.
- Heat only, Heat only with fan, Cool only.
- Battery only, common wire only, or common wire with battery backup.
- System settings - Heat, Off, Cool, Auto, Emergency Heat.
- Dimensions: 3-9/16" H x 5-13/16" W x 1-1/2" D

Standard Models



TW123

UPC# 686334	MODEL	VOLTAGE	TEMP RANGE	MAX AMP	LIST
691116	TW123 / TH5220D	750MV - 2DV	40-90° Heat 50-99° Cool	1.0	206

Round - Low Voltage

Features

- Heat only for 24V heating systems
- White color
- Does not contain Mercury
- Dimensions 3-11/16" diameter
- Temperature range - 50 - 90°F

Standard Models



A6176

UPC# 686334	MODEL	DESCRIPTION	VOLTAGE	MAX AMP	LIST
260008	A6176	Heat only.	24 VAC	1.0	108

Thermostats & Controls

UT Series - Low Voltage



Features

- Vertical or horizontal mounting
- Long life sealed contacts
- Does not contain Mercury
- Leveling not required
- Fahrenheit and Celsius temperature scales
- 2-3°F rated differential
- Anticipator (except UT9001)
- Imported to TPI Corporation specifications

Standard Models

UPC#	MODEL	DESCRIPTION	VOLTAGE	TERMINALS	SWITCHES	LIST
686334						
523059	UT1001	Heat Only	24VAC or MV	R & W	None	19
523066	UT3001	Cool Only	24 VAC	R, Y & G	Cool/Off Fan/Auto	19
523073	UT8001	Heat/Cool	24 VAC	RC, RH, W, Y, & G	Heat/Off/Cool Fan/Auto	20
523110	UT9001	Heat Only	Millivolt	R & W	None	19

Master Carton: 50 pcs, 17 lbs, 19" x 11.5" x 9"

RK Series - Low Voltage



Features

- Heat only models
- Positive off
- 2-3°F rated differential
- Does not contain Mercury
- Leveling not required
- Long life sealed contacts
- Fahrenheit and Celsius
- Imported to TPI Corporation specifications

Standard Models

UPC #	MODEL	DESCRIPTION	VOLTAGE	RANGE	ANTICIPATOR	LIST
686334						
526012	RK120EAA	Heat Only	24VAC or MV	50°-90°F	Yes	19
526203	RK124EAA	Heat Only	24VAC or MV	35°-75°F	Yes	19
526050	RK130EAA	Heat Only	Millivolt	50°-90°F	No	16
526326	RK134EAA	Heat Only	Millivolt	35°-75°F	No	16
526142	RKWP1AA	Wall Plate	NA	NA	NA	5

Master Carton: 100 Pcs, 24 lbs, 16.5" x 15" x 8"

Low Voltage Relays



Two switch unit shown.

Features

- Snap action switch
- 1/2" male conduit spud
- 45 second average time delay
- Temperature range - 50 - 90°F
- Built-In transformer

Standard Models

UPC#	MODEL	PRIMARY VOLTAGE	DESCRIPTION	LIST
686334				
260039	24A05A-1	120V	Single Switch, single throw with In-Built Transformer for remote mounting or in a factory provided optional enclosure	188
260046	24A05E-1	208V		
260053	24A01G-3	240V		
260107	24A06G-1	240V	Two switch, single throw with In-Built Transformer, 25 Amps per switch	278

Note: 277/24V relay available, consult factory.

TG Series Thermostat Guards



Standard Models

UPC#	MODEL	DESCRIPTION	LIST
686334			
589123	TG1	Plastic Stat Guard/ 6.25" x 3.625" x 3.25" Opening	34
589109	TG1B	Metal Stat Guard/ 5.25" x 4.625" x 3" Opening	60
589130	TG2	Plastic Stat Guard/ 5.25" x 4.625" x 3.25" Opening	39
589161	TG2B	Metal Stat Guard/ 6.25" x 3.625" x 3.25" Opening	60
589116	TG3	Plastic Stat Guard/ 8.125" x 4.625" x 3.625" Opening	39
589178	TG3B	Metal Stat Guard/ 6.75" x 4.50" x 3.50" Opening	74
523615	TG4	Plastic Stat Guard / 3.50" x 3.937" x 1.75" Opening	39
523622	TG5	Plastic Stat Guard / 5" x 3.31" x 1.75" Opening	39
523639	TG6	Plastic Stat Guard / 5.75" x 4.625" x 1.75" Opening	39

Features

- 8 tumbler locks
- Imported to TPI specifications

Thermal Area Treatment Heaters



Sizing formula for TAT Series heaters: 50 Watts of heat per square foot of heated space or 50W/sq ft.

Example: An 800 square foot structure will require 40,000 Watts of heat to obtain 150 degrees of prolonged heat to be effective. (800 sq ft x 50 Watts per square foot = 40,000 Watts of heat or 40KW of heat)

Product Features

- Heavy duty industrial construction
- Forward curved centrifugal blower
- High Temperature ball bearing motor
- Optional replaceable filter
- Single point power connection, 24 volt control
- Heavy duty spiral finned elements constructed of stainless steel
- Safety devices include airflow switch, automatic limit control and manual reset limit control for secondary protection
- Disconnect switch and Unit Mounted Thermostat with range of up to 120 - 150 °F
- The "TAT" series is sold as a system that includes the base unit, three supplemental units and the remote timer/ temperature control (supplemental units may be purchased separately if necessary)
- Made in U.S.A

Product Specifications

APPLICATIONS:

- The "TAT" series is designed to heat small and mid-sized rooms up to 150 °F. This provides effective portable heating to areas infected with insects. It kills adult insects and will dehydrate larvae and eggs, making them unable to hatch. Although chemical sprays only target adult insects, they can be used before utilizing the "TAT" system in order to kill the adult insects.
- The system is designed to bring the temperature up to 150 °F in one hour or less, if all preliminary requirements are met.
- The "TAT" system may be used for water remediation, as well, in combination with adequate ventilation. Specific models for water remediation are also available.

TAT BASE UNIT:

- Heavy duty stainless steel spiral fin heating elements
- High temperature, ball bearing 1/3 HP - 1075 RPM blower motor
- Forward curved centrifugal blower-900 CFM of air output
- Safety devices include airflow switch, disconnect switch, automatic limit control and manual reset limit control for secondary protection
- 50 Amp unit may be linked to a 30 Amp unit to provide heating for larger spaces.
- Timer/Temp controller may be used to control both units but must use the 50 Amp base unit as the master.

SUPPLEMENTAL TAT CONVECTORS

- 3 convectors are an integral part of each TAT system
- 120 Volt, 15 Amp (Standard wall plug) - 5120 BTU size
- Supplied with 25' prewired cable that connects them to the TAT base unit control section with a three pin connector
- If used in front of windows or large glass doors, they will reduce heat loss and provide more even heating

TIMER/TEMPERATURE CONTROL UNIT

- Timer/Temp Controller is an integral part of the TAT system
- 24 Volt control device that controls the heat output of the TAT base unit and up to three TAT convectors for an operating range of 120 - 150 °F and for a time period of 1 -10 hours after the preset temperature is reached
- Supplied with a 25' prewired cable that connects to the TAT base unit control section using a four pin connector
- Mounts on Door outside the area being treated.
- LED lights will indicate when treatment is complete

Thermal Area Treatment Heaters

Standard Models

UPC# 686334	STYLE MODEL NUMBER	BASE UNIT KW	BASEBOARD PERIMETER HEATER KW	TOTAL SYSTEM KW	BASE UNIT VOLTS	BASEBOARD PERIMETER HEATER VOLTS	PHASE	BASE UNIT AMP	BASEBOARD PERIMETER AMP-EACH CIRCUIT (3)	PLUG TYPE		LIST
										BASE UNIT	PERIMETER	
397568	TAT5-240-1/3BB/1T	5.3	1.5 (X3)	9.8	240	120	1	24	12.5	Nema 10-30	Nema 5-15	13,287
397629	TAT5-208-1/3BB/1T*	5.3	1.5 (x3)	9.8	208	120	1	27	12.5	----	Nema 5-15	13,287
397551	TAT8-240-1/3BB/1T	8.4	1.5 (X3)	12.9	240	120	1	37	12.5	Nema 14-50	Nema 5-15	13,905
397612	TAT8-208-1/3BB/1T*	8.4	1.5 (x3)	12.9	208	120	1	42	12.5	----	Nema 5-15	13,905
397520	TAT20-480-3/3BB/1T	20	1.5 (X3)	24.5	480	120	3	26	12.5	Nema L16-30	Nema 5-15	15,450
397582	TAT-ILC-25	25' Shielded Cable										263

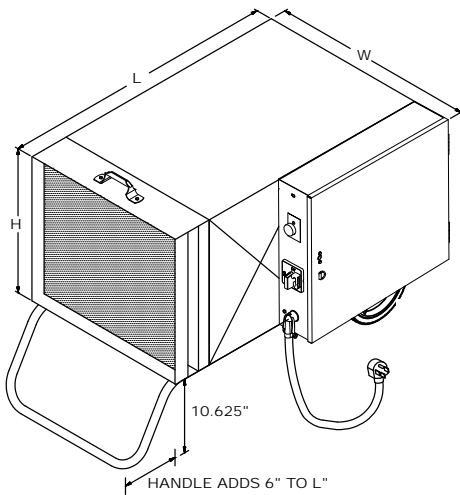
*208 Volt models do not have a cord supplied

Accessories

UPC# 686334	MODEL	DESCRIPTION	HP	CFM / RPM	MAX AMPS	VOLTS	WT. (LBS)	LIST
397636	TAT-24-FAN-120V-1	Thermal Area Treatment Floor Fan	1/3	5000/1160	3.1	120	30	335

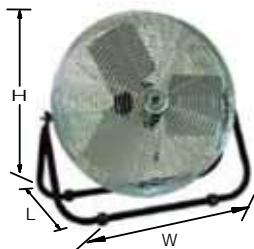
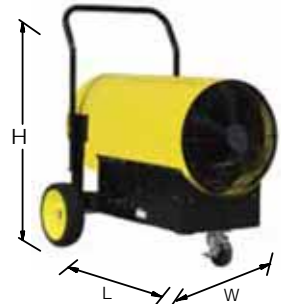
UPC# 686334	STYLE MODEL #	DESCRIPTION	KW	BTU	VOLTS	PHASE	AMPS	TEMP RISE	WT. (LBS)	LIST
398190	TAT-30/1T	30KW Salamander	30	102390	480	3	36	43	115	2614
398206	TAT-45/1T	45KW Salamander	45	153585	480	3	54.2	70	125	4322

Product Dimensions



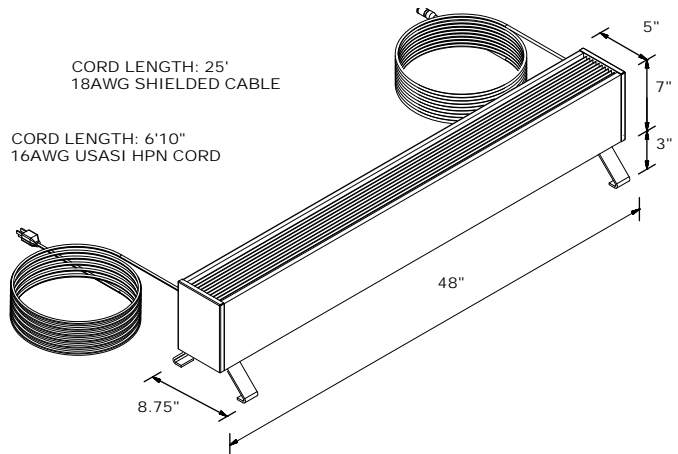
TAT 30-45

- Safety yellow heater enclosure with safety screens on both air intake and output openings.
- Optional 25' long SO type cord, ready for plug attachment is available for each model.
- Long-life finned tubular heating elements.
- Thermostat adjustment 120° to 150° F.
- Two 10" rear wheels and a front locking caster.
- High-limit thermal cutout switch with manual reset.
- 2200 CFM
- Fan only operation feature
- Made in U.S.A.



TAT-24-FAN-120V-1

- Single speed
- Head tilts 360°
- Coated steel guards
- SJT type 3 conductor
- Steel hub / Aluminum blades
- Meets OSHA standards
- Made in U.S.A. with domestic and foreign components



MODEL	DIMENSIONS			WT. (LBS)
	LENGTH	WIDTH	HEIGHT	
TAT-8-240-1	39"	26.5"	18"	180
TAT-5-240-1	39"	26.5"	18"	180
TAT-20-480-3	39"	30.5	18"	234
TAT-1-120-1	48"	8.5"	9.5"	23
Remote Timer	11"	3"	4.5"	5
TAT 30, 45	37"	24"	39"	115/125
TAT24-FAN-120V-1	10.5"	26"	26"	30

Thermal Area Treatment Heaters

How It Works:

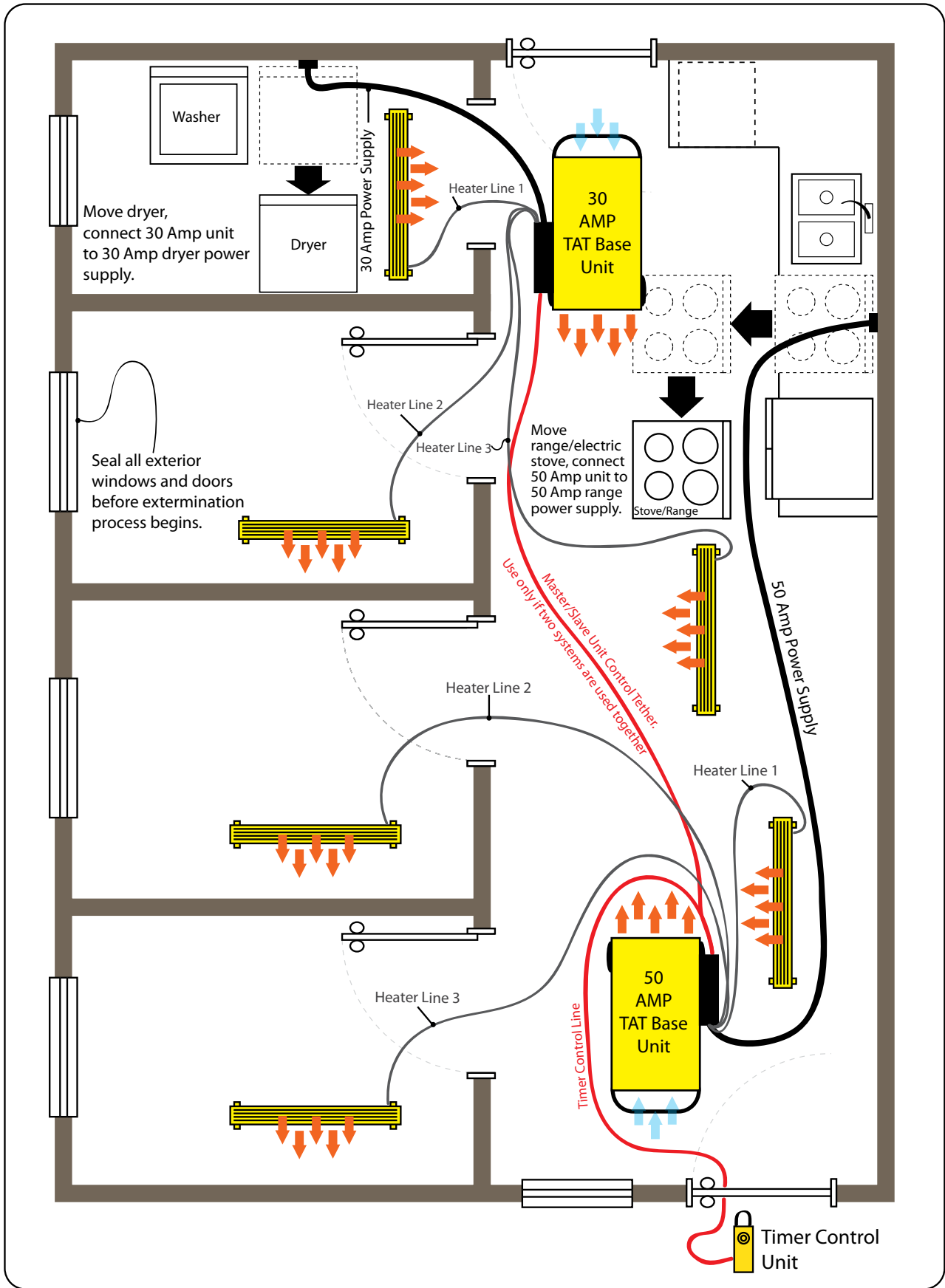
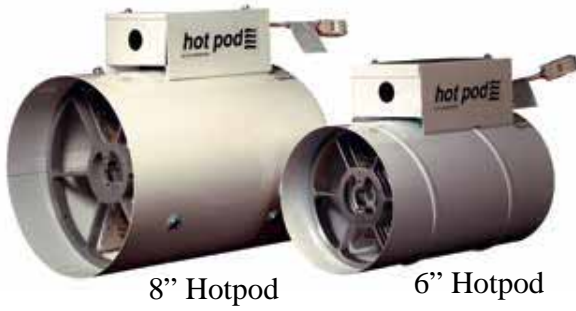


Diagram is for demonstrative purposes only and does not represent any actual structure or living environment. Two units may not be required for all situations, exterior climate, structure insulation, electrical service, and square footage all factor into effective treatment with this system.

Hotpod® Supplemental Duct Mounted Heating System



HotPod - Features

- Use to heat cold rooms or additions without upgrading central system
- Fan only operation for increased cfm output for A/C cycles
- 6" 1000/500 Watt and 8" 1440/720 Watt models available
- Two stage operation
- 120V corded and hard wire models available
- 10' Cord length on corded models
- Zero clearance for all models
- All models include UT8003 low voltage thermostat
- Optional wireless thermostat
- Silent boot option available for rigid duct applications only.
- Made in U.S.A. with domestic and foreign components.
- Patented: Patent No. 8,285,127, 8,625,976, 8,787,738

Standard HotPod® Models

UPC#	MODEL	DESCRIPTION	WATTS	VOLTS	MIN.CIRC. SIZE (AMP)	TEMP RISE (F)	WT. (LBS)	RPM	CFM	NEMA PLUG	DIMENSION L x W x H (In.)	LIST
686334												
290074	HP6-1000120-2T	6" INLET, HARDWIRE	1000/500	120	8.33	26	4	1500	130	NA	10 1/2 x 8 1/2 x 6	529
290043	HP6-1000120-2CT	6" INLET, WITH CORD SET	1000/500	120	8.33	26	4	1500	130	5-15P	10 1/2 x 8 1/2 x 6	555
290081	HP8-1440120-2T	8" INLET, HARDWIRE	1440/720	120	12.6	23	6	1500	210	NA	11 x 10 1/2 x 8	644
290067	HP8-1440120-2CT	8" INLET, WITH CORD SET	1440/720	120	12.6	23	6	1500	210	5-15P	11 x 10 1/2 x 8	683

Multi-Pak Models - Includes 4 HotPod® Units

UPC#	MODEL	DESCRIPTION	WATTS	VOLTS	MIN.CIRC. SIZE (AMP)	TEMP RISE (F)	WT. (LBS)	RPM	CFM	NEMA PLUG	DIMENSION L x W x H (In.)	LIST
290036	HP6-1000120-2T	4 PACK 6" INLET, HARDWIRE	1000/500	120	8.33	26	16	1500	130	NA	10 1/2 x 17 x 12	2114
290111	HP6-1000120-2CT	4 PACK 6" INLET, WITH CORD SET	1000/500	120	8.33	26	16	1500	130	5-15P	10 1/2 x 17 x 12	2217
290050	HP8-1440120-2T	4 PACK 8" INLET, HARDWIRE	1440/720	120	12.6	23	25	1500	210	NA	10 1/2 x 20 x 16	2575
290128	HP8-1440120-2CT	4 PACK 8" INLET, WITH CORD SET	1440/720	120	12.6	23	25	1500	210	5-15P	10 1/2 x 20 x 16	2732
290333	HP6H-12PK*	12 PACK 6" INLET, HARDWIRE	1000/500	120	8.33	26	58	1500	130	NA	21 x 14 1/2 x 43	6341
290340	HP6C-12PK*	12 PACK 6" INLET, WITH CORD SET	1000/500	120	8.33	26	58	1500	130	5-15P	21 x 14 1/2 x 43	6650
290357	HP8H-12PK*	12 PACK 8" INLET, HARDWIRE	1440/720	120	12.6	23	82	1500	210	NA	27 1/4 x 14 1/2 x 52	7725
290364	HP8C-12PK*	12 PACK 8" INLET, WITH CORD SET	1440/720	120	12.6	23	82	1500	210	5-15P	27 1/4 x 14 1/2 x 52	8195

*includes 1 HotPod display

Note: Multi-Pak specifications (watts, volts, etc) are for each individual hotpod in the pack excluding weight.

SilentBooster® Supplemental Duct Mounted Boosting System



SilentBooster® - Features

- 120V corded and hardwire models available
- Adds 120 CFM Boost to duct heating or ventilation applications
- Can utilize optional TPI SilentBoot™ for whisper quiet operation in rigid duct application.
- 14" of duct, 4' from register is all that is needed for installation
- Optional wireless thermostat can be utilized to control SilentBooster to increase room comfort

Moisture Control System - Features

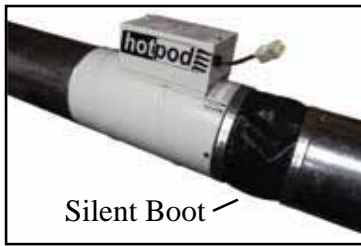
- 120V, 8" Ducted Booster Fan; De-humidistat included
- Includes all ductwork and outside damper / 6" to 8" adapters available
- Uses Heavy Duty booster fan to eliminate humidity from basements, crawl spaces, or damp areas.
- Made in U.S.A. with foreign and domestic componets.

Standard SilentBooster® Models

UPC#	MODEL	DESCRIPTION	VOLTS	MIN.CIRC. SIZE (AMP)	WT. (LBS)	RPM	CFM	NEMA PLUG	DIMENSION L x W x H (In.)	LIST
290371	SB6-120-T	6" SilentBooster (Hardwire)	120	15	4	1500	130	NA	10 1/2 x 8 1/2 x 6	232
290388	SB6-120-CT	6" SilentBooster (w/Cord Set)	120	15	4	1500	130	5-15P	10 1/2 x 8 1/2 x 6	258
290395	SB8-120-T	8" SilentBooster (Hardwire)	120	15	4	1500	210	NA	11 x 10 1/2 x 8	258
290401	SB8-120-CT	8" SilentBooster (w/Cord Set)	120	15	4	1500	210	5-15P	11 x 10 1/2 x 8	284
MOISTURE CONTROL SYSTEM										
290418	MCS120-8CT	8" Moisture Control System	120	15	4	1500	210	5-15P	11 x 10 1/2 x 8	361

Hotpod™ Accessories, Thermostats, Ready-Pack, and MFH Models

Hotpod Accessories And Thermostat



Silent Boot

UPC#	MODEL	DESCRIPTION	WT. (LBS)	LIST
686334				
290098	SB-6*	6" SILENT BOOT	4	39
290104	SB-8*	8" SILENT BOOT	4	65
523578	RFKIT-5	WIRELESS TRANSMITTER	6	206

* Can be used with Hotpod models as a noise attenuator



RFT-1
(Shown With UT8003
Thermostat)

RFR-5

RFKIT-5 - Patent Pending

Hotpod Ready-Pack Self Contained Systems



Ready-Pack self contained system
Note: does not mount to existing duct work.

Features

- Includes all you need to install a complete Hotpod system
- Ideal for room or office additions
- RF Thermostat is standard with our Ready-Pack models, simplifying installation even further - Eliminates the need for thermostat wiring.
- Same specifications for 6" and 8" Hotpod models apply to Ready-Pack models.

What's Included

- 6" or 8" Hotpod with RFKIT-5 wireless thermostat and transmitter
- One outlet and one return air grill
- Two 90 degree elbows
- Flexible duct (12.5')
- 8" models include 2 reducers - 8" to 6"

UPC# 686334	MODEL	DESCRIPTION	LIST
290272	HP6-1000120-2TRP	6" INLET, 1000W, 120V, READY-PACK	1172
290289	HP6-1000120-2CTRP	6" INLET, 1000W, 120V, READY-PACK WITH CORDSET	1236
290296	HP8-1440120-2TRP	8" INLET, 1440W, 120V, READY-PACK	1391
290302	HP8-1440120-2CTRP	8" INLET, 1440W, 120V, READY-PACK WITH CORDSET	1432

MFH Series Hotpod - For those LARGER areas



Features

- 240V model has 6' cord set with a NEMA-6-15P Plug
- Unit contains air flow switch
- Zero inch (0") clearance installation
- All units are shipped with our UT8003 low voltage thermostat
- All units obtain a 33 degree temperature rise
- RP models are Ready-Pack models and do not need existing duct work
- Made in U.S.A.

Standard Models

UPC# 686334	MODEL	DESCRIPTION	WATTS	VOLTS	WT. (LBS)	CFM	RPM	LIST
290135	MFHE-0300-6-EAA	6" INLETS, 1500 W, 120V, 2 STAGE THERMOSTAT	1500	120	132	250	1500	1339
290197	MFHE-0300-6-EAARP	UNIT ABOVE WITH FLEX, BOOTS, GRILLS	1500	120	145	250	1500	1791
290142	MFHE-0300-6-EAAC	6" INLETS, 1500 W, 120V, 2 STAGE THERMOSTAT, CORD	1500	120	132	250	1500	1379
290203	MFHE-0300-6-EAACRP	UNIT ABOVE WITH FLEX, BOOTS, GRILLS	1500	120	145	250	1500	1829
290173	MFHE-0300-6-HAA	6" INLETS, 2000W, 240V, 2 STAGE THERMOSTAT	2000	240	132	250	1500	1417
290234	MFHE-0300-6-HAARP	UNIT ABOVE WITH FLEX, BOOTS, GRILLS	2000	240	145	250	1500	1867
290159	MFHE-0300-8-EAA	8" INLETS, 1500W, 120V, 2 STAGE THERMOSTAT	1500	120	135	250	1500	1365
290210	MFHE-0300-8-EAARP	UNIT ABOVE WITH FLEX, BOOTS, GRILLS, REDUCERS	1500	120	148	250	1500	1918
290166	MFHE-0300-8-EAAC	8" INLETS, 1500W, 120V, 2 STAGE THERMOSTAT, CORD	1500	120	135	250	1500	1403
290227	MFHE-0300-8-EAACRP	UNIT ABOVE WITH FLEX, BOOTS, GRILLS, REDUCERS	1500	120	148	250	1500	1957
290180	MFHE-0300-8-HAA	8" INLETS, 3000W, 240V, 2 STAGE THERMOSTAT	3000	240	135	250	1500	1455
290241	MFHE-0300-8-HAARP	UNIT ABOVE WITH FLEX, BOOTS, GRILLS, REDUCERS	3000	240	148	250	1500	2009

Fresh Air Make Up Units - Features

- Can be used with existing systems for fresh air intake
- Includes replaceable filter
- All units include duct stat and disconnect switch
- Available with 6" inlet and outlet only

Standard Models

UPC# 686334	MODEL	DESCRIPTION	CFM	RPM	LIST
290258	MFHE-0300-6-HAAF2D	6" INLETS, 3000W, 240V, FILTER, DUCT STAT	250	1500	1803
290265	MFHE-0300-6-FAAF2D	6" INLETS, 2000W, 208V, FILTER, DUCT STAT	250	1500	1751

7200 Series Plenum Heater



HOW TO DESIGNATE A MODEL:

F	3	E	72	15	2	T
Element Voltage F = 208V H = 240V G = 277V P = 480V	Phase 1 = Single Phase 3 = Three Phase	Motor Voltage E = 120 G = 277 P = 480	Series Number	Element KW 3KW through 50KW See model chart for KW options.	Heater Stages Blank = One 2 = Two	Control System T = Unit Thermostat SSR = SSR Control Blank = None

Product Specifications

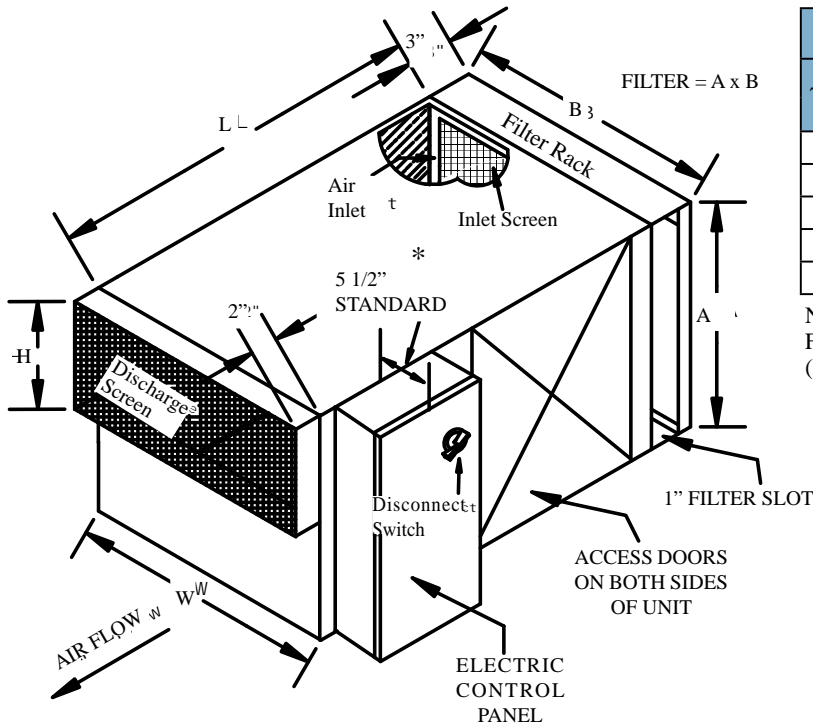
- 20 gauge galvanized cabinet.
- Variable speed motor, factory set at maximum. Motor speed can be field adjusted to increase heat rise.
- Acoustically insulated with 1” fiberglass.
- Access panels on both sides of cabinet.
- 24 Volt controls. / Disconnect switch
- Air flow switch.
- Terminal blocks.
- Single point connection.
- Dust tight control enclosure.
- Filter rack on inlet with throw away filter.
- Inlet and outlet screens and duct connection.
- Automatic primary limit control and secondary fuse link.
- Optional wall thermostat, unit thermostat or SSR control which proportionally regulates heat output.
- Made in U.S.A.

Standard Models

UPC# 686334	MODEL	KW	CFM RANGE	VOLTS / PHASE	TOTAL AMPS for MOTOR & HEATER	STAGE	MOTOR VOLTAGE	FULL LOAD AMPS for MOTOR ONLY	MOTOR H.P.	WT. (LBS)	LIST
617680	F1G7203	3	70-270	208/1	15.4	1	208	1	1/15	98	1618
606561	H1G7203			240/1	13.5		240	1			
606240	G1G7203			277/1	11.83		277	1			
606905	F3G7203			208/3	9.32		208	1			
617765	H3G7203			240/3	8.21		240	1			1669
617666	F1G7205	5	200-650	208/1	25.13	1	208	1.1	1/6	118	1669
617956	H1G7205			240/1	21.93		240	1.1			
606165	G1G7205			277/1	19.15		277	1.1			
606424	F3G7205			208/3	14.97		208	1.1			
617994	H3G7205			240/3	13.12	1	240	1.1			1700
606509	P3P7205			480/3	7.11		480	1.1			1999
606554	F3E7210	10	500-1200	208/3	33.05	1	120	5.3	1/4	141	1782
617734	H3G7210			240/3	25.75		240	1.7			
617581	P3G7210			480/3	13.72		277	1.7			
606516	F3E7210-2			208/3	33.05		120	5.3			
534390	H3G7210-2			240/3	25.75	2	240	1.7			1865
606349	P3P7210-2			480/3	13.72		480	1.7			2163
608602	F3E7215	15	500-1200	208/3	46.93	1	120	5.3	1/4	141	1865
608848	H3G7215			240/3	37.78		240	1.7			
606073	P3P7215			480/3	19.74		480	1.7			
606943	F3E7215-2			208/3	46.93		120	5.3			
534406	H3G7215-2			240/3	37.78	2	240	1.7			1957
534550	P3P7215-2			480/3	19.74		480	1.7			2256
608831	F3E7220-2	20	750-1600	208/3	63.81	2	120	8.3	1/2	163	2318
534413	H3G7220-2			240/3	50.61		240	2.5			
606493	P3P7220-2			480/3	26.55		480	2.5			
534420	F3E7223-2	23	1300-2000	208/3	74.84	2	120	11	3/4	201	2884
617888	H3G7223-2			240/3	59.63		240	4.3			
534567	P3P7225-2			480/3	34.37		480	4.3			
534437	H3G7230-2	30	1800-2800	240/3	78.47	2	240	6.3	2 MOTORS @ 1/2 H.P. EACH	278	4017
606882	P3P7230-2			480/3	42.38		480	6.3			
534574	P3P7235-2	35		480/3	48.39		480	6.3			4491
534581	P3P7240-2	40		480/3	56.71		480	8.6			5387
534598	P3P7245-2	45	2000-3600	480/3	62.72	2	480	8.6	2 MOTORS @ 3/4 H.P. EACH	319	5490
618083	P3P7250-2	50		480/3	68.74		480	8.6			

7200 Series Plenum Heater

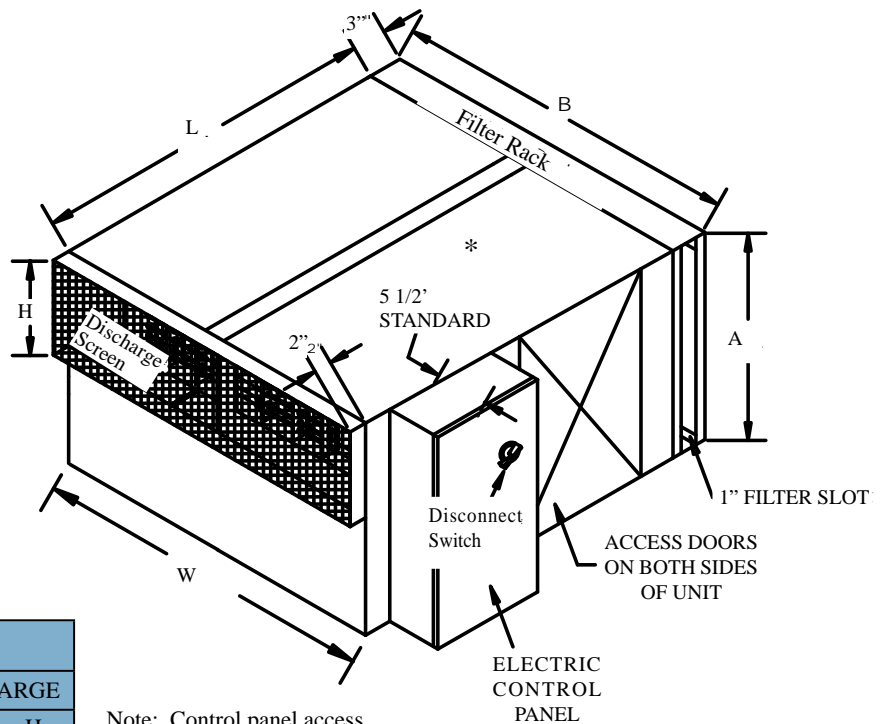
Product Dimensions



DIMENSIONS					
7200 SERIES	A	B	L	DISCHARGE	
				W	H
3 KW	12"	14"	28"	14"	8"
5 KW	14"	18"	36"	18"	8"
10 & 15 KW	18"	18"	36"	18"	10"
20 KW	18"	22"	36"	22"	10"
23 & 25 KW	18"	26"	36"	26"	10"

Note: Control panel access standard as shown. For panel on opposite side access specify and order (Figure 5).

* Control box depth depends on actual components. Consult factory for exact dimensions.



DIMENSIONS					
7200 SERIES	A	B	L	DISCHARGE	
				W	H
25-30-35 KW	18"	44"	36"	44"	10"
40-45-50 KW	18"	52"	36"	52"	10"

Note: Control panel access standard as shown. For panel on opposite side access specify and order (Figure 5).

7300 Series Plenum Heater



HOW TO DESIGNATE A MODEL:

F	3	E	73	15	2	T
Element Voltage F = 208V H = 240V G = 277V P = 480V	Phase 1 = Single Phase 3 = Three Phase	Motor Voltage E = 120 G = 277 P = 480	Series Number	Element KW 3KW through 18KW See model chart for KW options.	Heater Stages Blank = One 2 = Two	Control System T = Unit Thermostat SSR = SSR Control Blank = None

The 7300 Series LowBoy Plenum Heater is designed to fit jobs where the clear space between the ceiling and the floor above is as small as 11-3/4 inches.

Product Specifications

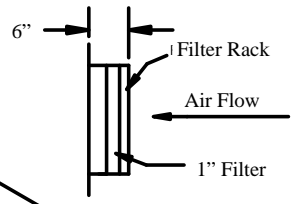
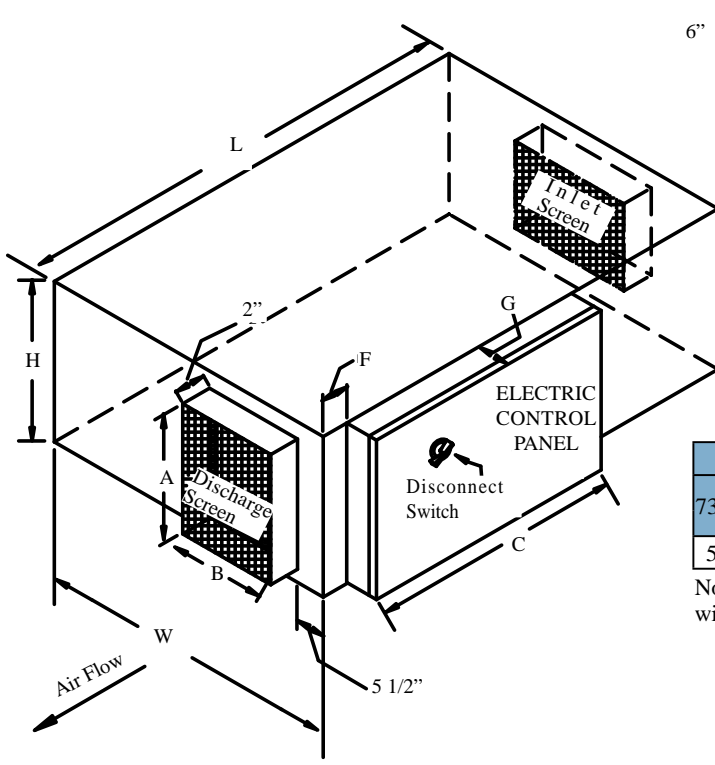
- 20 gauge galvanized cabinet.
- Variable speed motor, factory set at maximum. Motor speed can be field adjusted to increase heat rise.
- Acoustically insulated with 1" fiberglass.
- Access panels on bottom of unit.
- 24 Volt controls. / Disconnect switch
- Air flow switch.
- Terminal blocks.
- Single point connection.
- Dust tight control enclosure.
- Filter rack on inlet with throw away filter.
- Inlet and outlet screens and duct connection.
- Automatic primary limit control.
- Optional wall thermostat, unit thermostat or SSR control which proportionally regulates heat output.
- Made in U.S.A.

Standard Models

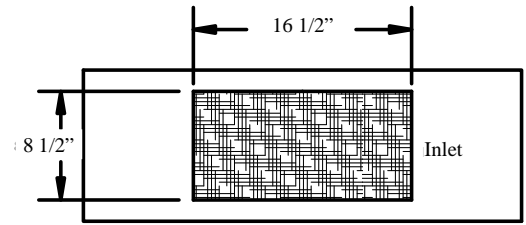
UPC# 686334	MODEL	KW	CFM RANGE	VOLTS/ PHASE	TOTAL AMPS for MOTOR & HEATER	STAGE	MOTOR VOLTAGE	FULL LOAD AMPS for MOTOR ONLY	MOTOR H.P.	WT. (LBS)	LIST
618076	F1G7305	5	170-950	208/1	26	1	208	2	1/4	163	1803
617543	H1G7305			240/1	22		240				
606301	G1G7305			277/1	20		277				
617642	F3G7305			208/3	15	208	2				
534451	H3G7305			240/3	14	240					
534604	P3P7305			480/3	8	480					
609968	F3E7310	10	170-950	208/3	32	1	208	4	1/4	163	2060
617734	H3G7310			240/3	26		240				
618069	P3P7310			480/3	14		480				
606363	F3E7310-2			208/3	32	2	120	4			
534468	H3G7310-2			240/3	26		240				
534611	P3P7310-2			480/3	14		480				
534482	H3G7312	12	270-1500	240/3	32	1	240	3	2 Motors @ 1/4 HP Each	219	2658
534628	P3P7312			480/3	17		480				
608596	F3E7312-2			208/3	41	2	120				8
534505	H3G7312-2			240/3	32		240				
534635	P3P7312-2			480/3	17		480				
534529	H3G7315			15	270-1500	240/3	39				1
617772	P3P7315	480/3	21			480					
618106	F3E7315-2	208/3	49			2	120	8			
608510	H3G7315-2	240/3	39				240				
534642	P3P7315-2	480/3	21				480				
534659	P3P7318	18	270-1500			480/3	25	1	480	3	2 Motors @ 1/4 HP Each
534666	P3P7318-2			480/3	25	2	480	3276			

7300 Series Plenum Heater

Product Dimensions



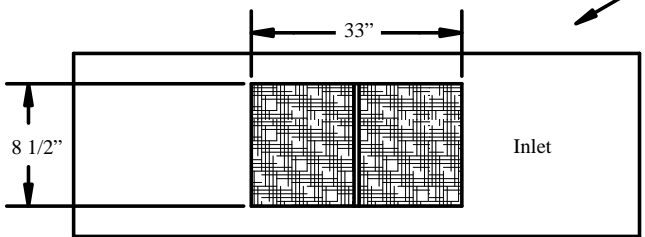
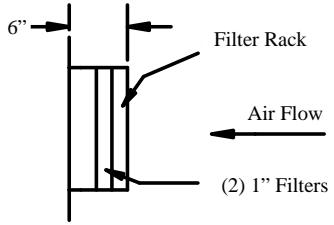
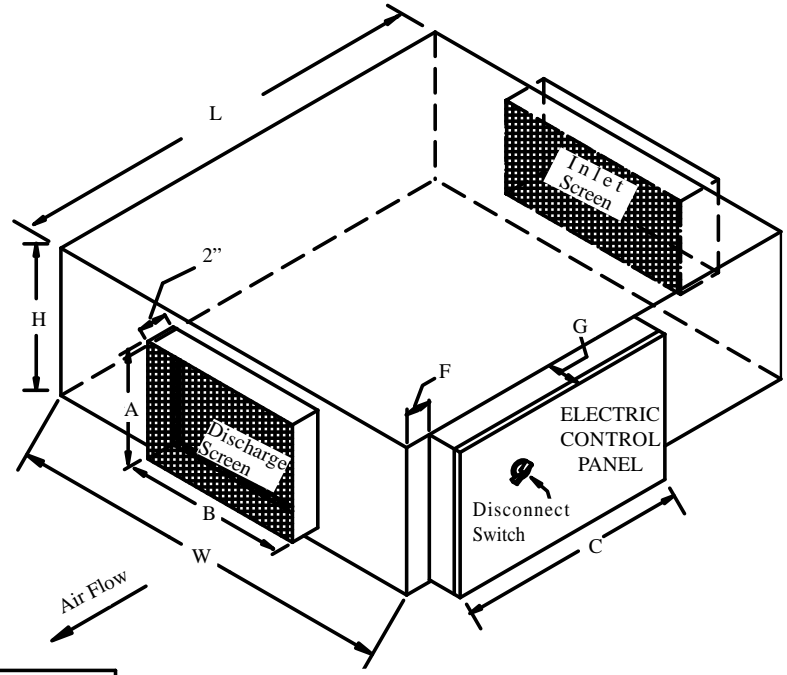
Note: Control panel access standard as shown. For panel on opposite side access specify and order (Figure 5).



DIMENSIONS								
7300 SERIES	C	F	G	H	L	W	DISCHARGE	
							A	B
5 & 10 KW	28, 75"	1"	6"	11.75"	45"	26"	8"	10"

Note: Dimension C and G will vary with accessories.

Note: Control panel access standard as shown. For panel on opposite side access specify and order (Figure 5).



DIMENSIONS								
7300 SERIES	C	F	G	H	L	W	DISCHARGE	
							A	B
12, 15, & 18 KW	28, 75"	2"	6"	11.75"	45"	43"	8"	20"

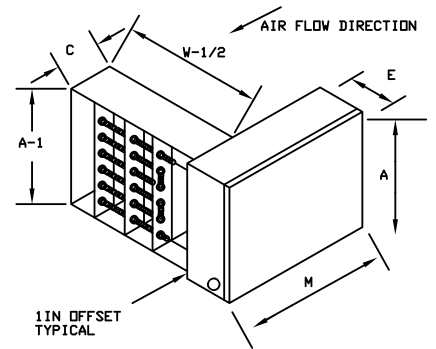
Note: Dimension C and G will vary with accessories.

PD Series Packaged Duct Heater



Standard Features

- Galvanized Steel Element Rack - Always 1" shorter than duct height and 1/2" shorter than duct width to allow insertion clearance
- Galvanized Steel Compartment with 1/2" fiberglass Insulation & Hinged Cover
- Door Interlock Disconnect Switch
- Primary Automatic Reset Temp Limiting Control
- Load Carrying Secondary over Temperature Protective Device(s)
- Definite Purpose Magnetic Contactor(s)
- Differential Pressure Fan Inter-lock Switch
- Step Down Control Transformer / 24 Volt
- Permanently Attached Wiring Diagram on inside of Terminal Compartment Cover
- Made in U.S.A.



Standard Models

UPC# 686334	MODEL	KW	POWER VOLTS/ PHASE	DUCT WIDTH W	DUCT HEIGHT A	DIMENSIONS			AMPS	CONTROL STEPS	WT. (LBS)	LIST	
						C	E	M					
617000	PD5-128-1	5	240-1	12	8	4.75	6.5	26	20.9	1	22	803	
617017	PD10-1810-1	10		18	10	4.75	6.5	28	41.7	2	37	1078	
617024	PD15-1812-1	15		18	12	4.75	6.5	27	62.5	2	33	1261	
617031	PD20-2012-1	20		20	12	9.125	7.5	31	83.3	2	37	1582	
617048	PD25-2016-1	25		20	16	9.125	7.5	38	104.2	3	56	2522	
617055	7PD2-128-1	2	277-1	12	8	4.75	6.5	26	7.2	1	21	803	
617062	7PD3.5-128-1	3.5							12.6			827	
617079	7PD5-128-1	5							18.1			1060	
617086	8PD5-128-3	5	208-3	12	8	4.75	6.5	26	13.9	1	22	926	
617093	8PD10-1810-3	10		18	10	4.75	6.5	22	27.8	1	27	946	
617109	8PD15-1812-3	15		18	12	9.125	6.5	25	41.7	1	32	1102	
617116	8PD15-1812-2-3	15		18	12	9.125	6.5	28	41.7	2	34	1158	
617123	8PD20-2012-3	20		20	12	9.125	6.5	40	55.6	2	39	1399	
617130	8PD25-2016-3	25		20	16	9.125	6.5	29	69.5	2	58	1411	
617147	8PD30-2416-2-3	30		24	16	9.125	7.5	29	83.4	2	65	2007	
617154	8PD30-2416-3	30		24	16	9.125	7.5	35	83.4	3	60	2040	
617437	8PD35-2416-3	35		24	16	9.125	7.5	35	97.3	3	65	2178	
617321	8PD40-2416-3	40		24	16	9.125	7.5	43	111.2	3	75	2751	
617338	8PD45-3016-3	45		30	16	9.125	7.5	43	125.1	3	80	2808	
617345	8PD50-3016-3	50		30	16	9.125	7.5	43	139	3	85	2865	
617161	PD-128-3	5		240-3	12	8	4.75	6.5	26	12.1	1	21	779
617178	PD10-1812-3	10			18	10	4.75	6.5	22	24.1	1	26	861
617185	PD15-1812-1-3	15			18	12	4.75	6.5	20	36.2	1	30	964
617192	PD15-1812-2-3	15	18		12	9.125	6.5	26	36.2	2	33	986	
617208	PD20-2012-3	19.9	20		12	9.125	6.5	28	47.9	2	39	1261	
617215	PD25-2016-3	25	20		16	9.125	6.5	39	60.2	2	57	1411	
617222	PD30-2416-2-3	30	24		16	4.75	6.5	25	72.3	2	57	1560	
617239	PD30-2416-3-3	30	24		16	9.125	6.5	35	72.3	3	65	1629	
617352	PD35-2416-3	35	24		16	9.125	7.5	35	84.3	3	65	1811	
617369	PD40-2416-3	40	24		16	9.125	7.5	35	96.3	3	75	2086	
617376	PD45-3016-3	45	30		16	9.125	7.5	43	108.4	3	80	2705	
617383	PD50-3016-3	49.8	30		16	9.125	7.5	43	120	3	85	2820	
617246	4PD5-128-3	5	480-3		12	8	4.75	6.5	26	6.1	1	21	895
617253	4PD10-1810-3	10			18	10	4.75	6.5	22	12.1	1	26	946
617260	4PD15-1812-3	15			18	12	4.75	6.5	20	18.1	1	30	998
617277	4PD15-1812-2-3	15		18	12	9.125	6.5	26	18.1	2	34	1147	
617284	4PD20-2012-3	20		20	12	9.125	6.5	26	24.1	2	39	1171	
617291	4PD25-2016-3	25		20	16	9.125	6.5	22	30.1	2	58	1205	
617307	4PD30-2416-2-3	30		24	16	4.75	6.5	18	36.2	2	65	1238	
617314	4PD30-2416-3-3	30		24	16	9.125	6.5	24	36.2	3	65	1307	
617390	4PD35-2416-3	35		24	16	9.125	6.5	26	42.2	3	65	1674	
617406	4PD40-2416-3	39.9		24	16	9.125	6.5	40	48.1	3	75	1892	
617420	4PD50-3016-3	50		30	16	9.125	6.5	36	60.2	3	85	2292	

Product Index Listing

Model	Page	Model	Page	Model	Page	Model	Page
8510	28	63016489	69	223-30-TH-240V	69	342-30-THSS-240V	68
8512	28	A1560	80	223-30-TH-277V	69	342-30-THSS-480V	68
8513	28	DBTS IECR	62	223-30-TH-480V	69	342-60-TH-208V	68
8514	28	170-TS	81	223-30-THSS-208V	69	342-60-TH-240V	68
8515	28	178 TMC	79	223-30-THSS-240V	69	342-60-TH-480V	68
8516	28	188 TASA	79	223-30-THSS-277V	69	342-60-THSS-208V	68
8517	28	18D-2-30CF (Enclosed)	74	223-30-THSS-480V	69	342-60-THSS-240V	68
8518	28	18D-2-30CF (Open)	74	223-60-TH-208V	69	342-60-THSS-480V	68
8519	28	18D-2-80CF (Enclosed)	74	223-60-TH-240V	69	342-90-TH-208V	68
8520	28	198 TMC	79	223-60-TH-277V	69	342-90-TH-240V	68
8522	28	222-30-TH-208V	68	223-60-TH-480V	69	342-90-TH-480V	68
8523	28	222-30-TH-240V	68	223-60-THSS-208V	69	342-90-THSS-208V	68
8524	28	222-30-TH-277V	68	223-60-THSS-240V	69	342-90-THSS-240V	68
8525	28	222-30-TH-480V	68	223-60-THSS-277V	69	342-90-THSS-480V	68
8526	28	222-30-THSS-208V	68	223-60-THSS-480V	69	342-A30-TH-208V	68
8527	28	222-30-THSS-240V	68	223-90-TH-208V	69	342-A30-TH-240V	68
8528	28	222-30-THSS-277V	68	223-90-TH-240V	69	342-A30-TH-480V	68
8529	28	222-30-THSS-480V	68	223-90-TH-277V	69	342-A30-THSS-208V	68
8530	28	222-60-TH-208V	68	223-90-TH-480V	69	342-A30-THSS-240V	68
8532	28	222-60-TH-240V	68	223-90-THSS-208V	69	342-A30-THSS-480V	68
8533	28	222-60-TH-277V	68	223-90-THSS-240V	69	342-A60-TH-208V	68
8534	28	222-60-TH-480V	68	223-90-THSS-277V	69	342-A60-TH-240V	68
8535	28	222-60-THSS-208V	68	223-90-THSS-480V	69	342-A60-TH-480V	68
8536	28	222-60-THSS-240V	68	24A01G-3	88	342-A60-THSS-208V	68
8537	28	222-60-THSS-277V	68	24A05A-1	88	342-A60-THSS-240V	68
8538	28	222-60-THSS-480V	68	24A05E-1	88	342-A60-THSS-480V	68
8539	28	222-90-TH-208V	68	24A06G-1	88	3420EX16	43
9128	56	222-90-TH-240V	68	303EX16RW	34	3420EX34	43
9136	56	222-90-TH-277V	68	303EX16RW	46	3420EX8	43
9148	56	222-90-TH-480V	68	303EX32RW	34	343-30-TH-208V	69
9160	56	222-90-THSS-208V	68	303EX32RW	46	343-30-TH-240V	69
9172	56	222-90-THSS-240V	68	303EX8RW	34	343-30-TH-480V	69
9184	56	222-90-THSS-277V	68	303EX8RW	46	343-30-THSS-208V	69
9196	56	222-90-THSS-480V	68	305EX16	39	343-30-THSS-240V	69
9328	58	222-A30-TH-208V	68	305EX32	39	343-30-THSS-480V	69
9336	58	222-A30-TH-240V	68	305EX8	39	343-60-TH-208V	69
9348	58	222-A30-TH-277V	68	30R	34	343-60-TH-240V	69
9360	58	222-A30-TH-480V	68	30R2	34	343-60-TH-480V	69
9372	58	222-A30-THSS-208V	68	30R7	34	343-60-THSS-208V	69
9384	58	222-A30-THSS-240V	68	30R8	34	343-60-THSS-240V	69
9396	58	222-A30-THSS-277V	68	32T1	46	343-60-THSS-480V	69
91108	56	222-A30-THSS-480V	68	32T2	46	343-90-TH-208V	69
91120	56	222-A60-TH-208V	68	3310EX33R	45	343-90-TH-240V	69
93108	58	222-A60-TH-240V	68	3310EX33WR	45	343-90-TH-480V	69
93120	58	222-A60-TH-277V	68	3320EX16	40	343-90-THSS-208V	69
31939009	69	222-A60-TH-480V	68	3320EX33	40	343-90-THSS-240V	69
31940009	69	222-A60-THSS-208V	68	3380EX33	34	343-90-THSS-480V	69
31941009	69	222-A60-THSS-240V	68	342-30-TH-208V	68	3450EX16	43
63016209	69	222-A60-THSS-277V	68	342-30-TH-240V	68	3450EX34	43
63016249	69	222-A60-THSS-480V	68	342-30-TH-480V	68	3450EX8	43
63016279	69	223-30-TH-208V	69	342-30-THSS-208V	68	3900-CS	51

Product Index Listing

2
INDEX

Model	Page	Model	Page	Model	Page	Model	Page
3900-CSC	51	43T2	47	631-16249	73	8PD30-2416-3	98
3900-ICS	51	4400EX16	40	631-25489	73	8PD35-2416-3	98
3900-ICSC	51	4400EX32	40	631-25609	73	8PD40-2416-3	98
3900-OCS	51	4400EX8	40	631-38579	73	8PD45-3016-3	98
3900-OCSC	51	462-30-TH-480V	68	632-1620	69	8PD5-128-3	98
3900AC	51	462-30-THSS-480V	68	632-1620	73	8PD50-3016-3	98
3900ACC	51	462-60-TH-480V	68	632-1624	69	9100EC	56
3900DS	51	462-60-THSS-480V	68	632-1624	73	9100IC	56
3900DSC	51	462-90-TH-480V	68	632-2548	69	9100OC	56
3900REC	51	462-90-THSS-480V	68	632-2548	73	91BS012	56
3900RECC	51	462-A30-TH-480V	68	6333D052033B30D0F	25	91BS024	56
3900T1	51	462-A30-THSS-480V	68	6333D052433B30D0F	25	91BS036	56
3900T1C	51	462-A60-TH-480V	68	6333D053834B30D0F1	25	91BS048	56
3900T2	51	462-A60-THSS-480V	68	6333D054134B30D0F1	25	91BS060	56
3900T2C	51	463-30-TH-480V	69	6333D054833B30D0F	25	91BS072	56
3900WW120	51	463-30-THSS-480V	69	6333D103834B30D0F1	25	91BS084	56
3900WW28	51	463-60-TH-480V	69	6333D104134B30D0F1	25	91BS096	56
3900WW36	51	463-60-THSS-480V	69	6346D102433B30D0F	25	91BS108	56
3900WW48	51	463-90-TH-480V	69	6346D104833B30D0F	25	91BS120	56
3900WW60	51	463-90-THSS-480V	69	642-21001	73	9300EC	58
3900WW72	51	483 TM	79	642-21002	73	9300IC	58
3900WW96	51	48T2	48	642-21004	73	9300OC	58
39BS120	51	4PD10-1810-3	98	642-21005	73	93BS012	58
39BS120C	51	4PD15-1812-2-3	98	642-21008	73	93BS024	58
39BS28	51	4PD15-1812-3	98	642-21009	73	93BS036	58
39BS28C	51	4PD20-2012-3	98	642-21010	73	93BS048	58
39BS36	51	4PD25-2016-3	98	642-21012	73	93BS060	58
39BS36C	51	4PD30-2416-2-3	98	642-21013	73	93BS072	58
39BS48	51	4PD30-2416-3-3	98	642-21016	73	93BS084	58
39BS48C	51	4PD35-2416-3	98	642-21017	73	93BS096	58
39BS60	51	4PD40-2416-3	98	671-3454	73	93BS108	58
39BS60C	51	4PD5-128-3	98	671-3492	73	93BS120	58
39BS72	51	4PD50-3016-3	98	671-3784	73	A1600	22
39BS72C	51	61-01729-00	85	671-3785	73	A1601	22
39BS96	51	61-01729-20	85	671-3786	73	A5105	15
39BS96C	51	61-01729-21	85	671-5018	73	A51100	18
4300EX16	47	61-01729-22	85	671-5056	73	A5120	15
4300EX16W	47	61-01729-27	85	671-5057	73	A5150	15
4300EX16W	48	61-01730-00	85	671-5058	73	A5175	18
4300EX32	47	61-01730-003	85	671-5059	73	A5520/UHB	10
4300EX32W	47	630-05129	73	671-5060	73	A6176	17
4300EX32W	48	630-16209	73	671-5061	73	A6176	87
4300EX8	47	630-16249	73	7PD2-128-1	98	AD5120	15
4300EX8W	47	630-16279	73	7PD3.5-128-1	98	AD5150	15
4300EX8W	48	630-16489	73	7PD5-128-1	98	AD5150	15
4300P	47	630-25209	73	8PD10-1810-3	98	AD5175	15
4300PB	40	630-25249	73	8PD15-1812-2-3	98	AET5DWS	83
4300PW	47	630-25279	73	8PD15-1812-3	98	AET5SWS	83
4300PW	48	630-25489	73	8PD20-2012-3	98	AF3401-24	36
43T	47	630-36489	73	8PD25-2016-3	98	AF3402-24	36
43T	48	630-38579	73	8PD30-2416-2-3	98	AF3403-24	36

Product Index Listing

<i>Model</i>	<i>Page</i>	<i>Model</i>	<i>Page</i>	<i>Model</i>	<i>Page</i>	<i>Model</i>	<i>Page</i>
AG3401-24	36	BBS048C	55	CB-9	63	CTBSW	55
AG3402-24	36	BBS060A	55	CB-900BS	63	CV10012X	38
AG3403-24	36	BBS060AW	55	CF35-C	82	CV10022Xi	38
AH3401-24	36	BBS060C	55	CF36	82	CV10027X	38
AH3402-24	36	BBS072A	55	CF47-C	82	CV100X	38
AH3403-24	36	BBS072AW	55	CF48	82	CV100Xi	38
APS-3C	74	BBS072C	55	CF59-C	82	CV100YX	38
ASHDB ECL	63	BBS084A	55	CF60	82	CV11012X	38
ASHDB ECR	63	BBS084AW	55	CFHD36	82	CV11022Xi	38
ASHDB IC	63	BBS084C	55	CFHD48	82	CV11027X	38
ASHDB OC	63	BBS096A	55	CFHD60	82	CV110X	38
ASHDB SP	63	BBS096AW	55	CH-2212-1C	77	CV110Xi	38
ASHDB WT	63	BBS096C	55	CH-6424-1C	77	CV110YX	38
ASHDB-10	63	BBS120A	55	CHWG-222	69	CV12512X	38
ASHDB-2	63	BBS120AW	55	CHWG-223	69	CV12522Xi	38
ASHDB-3	63	BBS120C	55	CHWG-342	69	CV12527X	38
ASHDB-4	63	BDR115	55	CHWG-343	69	CV125X	38
ASHDB-5	63	BDR115B	55	CHWG-462	69	CV125Xi	38
ASHDB-6	63	BDR115W	55	CHWG-463	69	CV125YX	38
ASHDB-7	63	BOX 3310	40	CIT-1	74	CV4512X	38
ASHDB-8	63	BOX 3420	41	CKTD110	84	CV4522Xi	38
ASHDB-8/20-1000BS	63	BOX 3450	41	CP122	37	CV4527X	38
ASHDB-8/20-100BS	63	BOX3310	34	CP122i	37	CV45X	38
ASHDB-8/20-200BS	63	BOX3310	45	CP123	37	CV45Xi	38
ASHDB-8/20-300BS	63	C1-TD	8	CP123i	37	CV45YX	38
ASHDB-8/20-400BS	63	C1-TDP	8	CP125	37	CV6012X	38
ASHDB-8/20-500BS	63	C1025	19	CP125i	37	CV6022Xi	38
ASHDB-8/20-600BS	63	CB ECL	63	CP127	37	CV6027X	38
ASHDB-8/20-700BS	63	CB ECR	63	CP127i	37	CV60X	38
ASHDB-8/20-800BS	63	CB IC	63	CP2202i	37	CV60Xi	38
ASHDB-8/20-900BS	63	CB MF	63	CP2203i	37	CV60YX	38
ASHDB-9	63	CB OC	63	CP2205i	37	CV7512X	38
ATR	60	CB SP	63	CP2207i	37	CV7522Xi	38
B5105	15	CB WT	63	CP702	37	CV7527X	38
B51100	18	CB-10	63	CP703	37	CV75X	38
B5150	15	CB-1000BS	63	CP705	37	CV75Xi	38
B5175	18	CB-100BS	63	CP707	37	CV75YX	38
BBS024A	55	CB-2	63	CP802	37	CV9012X	38
BBS024AW	55	CB-200BS	63	CP803	37	CV9022Xi	38
BBS024C	55	CB-3	63	CP805	37	CV9027X	38
BBS028A	55	CB-300BS	63	CP807	37	CV90X	38
BBS028AW	55	CB-4	63	CS	55	CV90Xi	38
BBS028C	55	CB-400BS	63	CS 12	60	CV90YX	38
BBS036A	55	CB-5	63	CS 6	60	CVB42X	38
BBS036AW	55	CB-500BS	63	CSB	55	CVB60X	38
BBS036C	55	CB-6	63	CSW	55	CVB84X	38
BBS040A	55	CB-600BS	63	CTBDB	55	CVCBX	38
BBS040AW	55	CB-7	63	CTBDB-TP	55	CVSP	38
BBS040C	55	CB-700BS	63	CTBDW	55	D1600	22
BBS048A	55	CB-8	63	CTBSB	55	D1602	22
BBS048AW	55	CB-800BS	63	CTBSB-TP	55	D1603	22

Product Index Listing

Model	Page	Model	Page	Model	Page	Model	Page
D1610	22	DBF/DBT-700BS	61	DS51100	18	E3312T2SRPW	45
D1612	22	DBF/DBT-800BS	61	DS5120	15	E3312TRP	44
D1613	22	DBF/DBT-900BS	61	DS5150	15	E3312TRPW	44
D2022H10BA	83	DBTS ECL	62	DS5175	18	E3312TSRP	45
D2022H10BB	83	DBTS ECR	62	DSB	55	E3312TSRPW	45
D2025H10DA	83	DBTS IC	62	DSW	55	E3313RP	44
DBCT-10/DBCf-10	61	DBTS IECL	62	E2903-024C	54	E3313RPW	44
DBCT-2/DBCf-2	61	DBTS MF	62	E2903-024HAW	52	E3313T2RP	44
DBCT-3/DBCf-3	61	DBTS OC	62	E2903-024S	53	E3313T2RPW	44
DBCT-4/DBCf-4	61	DBTS SP	62	E2903-024SW	53	E3313T2SRP	45
DBCT-5/DBCf-5	61	DBTS WT	62	E2905-028C	54	E3313T2SRPW	45
DBCT-6/DBCf-6	61	DBTS-10	62	E2905-028HAW	52	E3313TRP	44
DBCT-7/DBCf-7	61	DBTS-1000BS	62	E2905-028S	53	E3313TRPW	44
DBCT-8/DBCf-8	61	DBTS-100BS	62	E2905-028SW	53	E3313TSRP	45
DBCT-9/DBCf-9	61	DBTS-2	62	E2906-036C	54	E3313TSRPW	45
DBCT/DBCf-1000BS	61	DBTS-200BS	62	E2906-036HAW	52	E3321TD-RP	40
DBCT/DBCf-100BS	61	DBTS-3	62	E2906-036S	53	E3322TD-RP	40
DBCT/DBCf-200BS	61	DBTS-300BS	62	E2906-036SW	53	E3323TD-RP	40
DBCT/DBCf-300BS	61	DBTS-4	62	E2907-040C	54	E3383D-RP	34
DBCT/DBCf-400BS	61	DBTS-400BS	62	E2907-040HAW	52	E3703-024	50
DBCT/DBCf-500BS	61	DBTS-5	62	E2907-040S	53	E3703-024B	50
DBCT/DBCf-600BS	61	DBTS-500BS	62	E2907-040SW	53	E3705-028	50
DBCT/DBCf-700BS	61	DBTS-6	62	E2910-048C	54	E3705-028B	50
DBCT/DBCf-800BS	61	DBTS-600BS	62	E2910-048HAW	52	E3706-036	50
DBCT/DBCf-900BS	61	DBTS-7	62	E2910-048S	53	E3706-036B	50
DBF-10/DBT-10	61	DBTS-700BS	62	E2910-048SW	53	E3707-040	50
DBF-2/DBT-2	61	DBTS-8	62	E2912-060C	54	E3707-040B	50
DBF-3/DBT-3	61	DBTS-800BS	62	E2912-060HAW	52	E3710-048	50
DBF-4/DBT-4	61	DBTS-9	62	E2912-060S	53	E3710-048B	50
DBF-5/DBT-5	61	DBTS-900BS	62	E2912-060SW	53	E3712-060	50
DBF-6/DBT-6	61	DC-33	25	E2915-072C	54	E3712-060B	50
DBF-7/DBT-7	61	DC-46	25	E2915-072HAW	52	E3715-072	50
DBF-8/DBT-8	61	DC-66	25	E2915-072S	53	E3715-072B	50
DBF-9/DBT-9	61	DC-79	25	E2915-072SW	53	E3904-28	49
DBF/DBT ECL	61	DC-SK-1	64	E3035DWBW	34	E3904-28C	49
DBF/DBT ECR	61	DC-SK-1	76	E3038DWBW	34	E3906-36	49
DBF/DBT IC	61	DCS-MT303	22	E3055T2DWB	39	E3906-36C	49
DBF/DBT IECL	61	DCS-MT303	23	E3058TDWB	39	E3910-48	49
DBF/DBT IECR	61	DCS1003	13	E3058T2DWB	39	E3910-48C	49
DBF/DBT IF	61	DCS1003/5100	17	E3058TDWB	39	E3912-60	49
DBF/DBT MF	61	DCS202/5100	17	E3210RPW	46	E3912-60C	49
DBF/DBT OC	61	DCS303	13	E3210TRPW	46	E3915-60P	79
DBF/DBT SP	61	DCS403	13	E3215RPW	46	E3915-72	49
DBF/DBT WT	61	DCS403/5100	17	E3215TRPW	46	E3915-72C	49
DBF/DBT-1000BS	61	DCS603/5100	17	E3275RPW	46	E4310RP	47
DBF/DBT-100BS	61	DCS803	13	E3275TRPW	46	E4310RPW	47
DBF/DBT-200BS	61	DR115	55	E3312RP	44	E4310TRP	47
DBF/DBT-300BS	61	DR115B	55	E3312RPW	44	E4310TRPW	47
DBF/DBT-400BS	61	DR115W	55	E3312T2RP	44	E4315RP	47
DBF/DBT-500BS	61	DS	55	E3312T2RPW	44	E4315RPW	47
DBF/DBT-600BS	61	DS5105	15	E3312T2SRP	45	E4315TRP	47

Product Index Listing

Model	Page	Model	Page	Model	Page	Model	Page
E4315TRPW	47	F1F5105N	17	F2920-096SW	53	F3454T	41
E4375SRP	47	F1F5503T	11	F2925-120C	54	F3455T	41
E4375RPW	47	F1F5505T	11	F2925-120HAW	52	F3472	36
E4375TRP	47	F1F5507T	11	F2925-120S	53	F3473	36
E4375TRPW	47	F1F5510T	11	F2925-120SW	53	F3474	36
E4410TRP	40	F1F5515T	11	F2F5103N	16	F3475	36
E4415TRP	40	F1FUH03003	13	F2F5103N	17	F3482	35
E4475TRP	40	F1FUH05003	13	F2F5105N	16	F3483	35
E4810RPW	48	F1FUH07CA1	13	F2F5105N	17	F3484	35
E4810TRPW	48	F1FUH10CA1	13	F2F5107CA1L	16	F3485	35
E4815RPW	48	F1FUH12C03	13	F2F5107CA1L	17	F3703-024	50
E4815TRPW	48	F1FUH15CO3	13	F2F5110CA1L	16	F3703-024B	50
E4875RPW	48	F1FUH20CA1	13	F2F5110CA1L	17	F3705-028	50
E4875TRPW	48	F1FUH25CA1	13	F2FUH05C03	13	F3705-028B	50
E8801050	30	F1G7203	94	F2FUH10C03	13	F3706-036	50
E8802075	30	F1G7205	94	F30522T2DWB	39	F3706-036B	50
E8803100	30	F1G7305	96	F30522TDWB	39	F3707-040	50
E8804125	30	F2903-024C	54	F30522TDWB	39	F3707-040B	50
E8805150	30	F2903-024HAW	52	F3052TDWB	39	F3710-048	50
E8806200	30	F2903-024S	53	F3220RPW	46	F3710-048B	50
EPETD8D	6	F2903-024SW	53	F3220T2RPW	46	F3712-060	50
EPETD8D	9	F2905-028C	54	F3316RP	44	F3712-060B	50
EPETD8D	83	F2905-028HAW	52	F3316RPW	44	F3715-072	50
EPETD8S	6	F2905-028S	53	F3316T2RP	44	F3715-072B	50
EPETD8S	9	F2905-028SW	53	F3316T2RPW	44	F3717-084	50
EPETD8S	83	F2906-036C	54	F3316T2SRP	45	F3717-084B	50
EPETP8D	6	F2906-036HAW	52	F3316T2SRPW	45	F3720-096	50
EPETP8D	9	F2906-036S	53	F3316TRP	44	F3720-096B	50
EPETP8D	83	F2906-036SW	53	F3316TRPW	44	F3725-120	50
EPETP8S	6	F2907-040C	54	F3316TSRP	45	F3725-120B	50
EPETP8S	9	F2907-040HAW	52	F3316TSRPW	45	F3904-28	49
EPETP8S	83	F2907-040S	53	F3317RP	44	F3904-28C	49
ET5D4S	83	F2907-040SW	53	F3317RPW	44	F3906-36	49
ET5DS	83	F2910-048C	54	F3317T2RP	44	F3906-36C	49
ET5DTS	83	F2910-048HAW	52	F3317T2RPW	44	F3910-48	49
ET5DWS	83	F2910-048S	53	F3317T2SRP	45	F3910-48C	49
ET5MS	83	F2910-048SW	53	F3317T2SRPW	45	F3912-60	49
ET5S4S	83	F2912-060C	54	F3317TRP	44	F3912-60C	49
ET5SRS	83	F2912-060HAW	52	F3317TRPW	44	F3915-72	49
ET5SS	83	F2912-060S	53	F3317TSRP	45	F3915-72C	49
ET5STS	83	F2912-060SW	53	F3317TSRPW	45	F3920-96	49
ET5SWS	83	F2915-072C	54	F3326TD-RP	40	F3920-96C	49
ETD5MS	83	F2915-072HAW	52	F3327TD-RP	40	F3E7210	94
ETD5SS	83	F2915-072S	53	F3386D-RP	34	F3E7210-2	94
ETD5STS	83	F2915-072SW	53	F3387D-RP	34	F3E7215	94
F1F2605CA1	21	F2917-084C	54	F3422T	41	F3E7215-2	94
F1F2607CA1	21	F2917-084S	53	F3423T	41	F3E7220-2	94
F1F2610CA1	21	F2917-084SW	53	F3424T	41	F3E7223-2	94
F1F5103N	16	F2920-096C	54	F3425T	41	F3E7310	96
F1F5103N	17	F2920-096HAW	52	F3452T	41	F3E7310-2	96
F1F5105N	16	F2920-096S	53	F3453T	41	F3E7312-2	96

Product Index Listing

Model	Page	Model	Page	Model	Page	Model	Page
F3E7315-2	96	F8802075	30	FEP-3448-1RA	8	FPC2110	75
F3F2605CA1	21	F8803100	30	FEP-3448-3RA	9	FPC2120	75
F3F2607CA1	21	F8804125	30	FEP-3457-1RA	8	FPC2140	75
F3F2610CA1	21	F8805150	30	FEP-3620-1RA	8	FPC2160	75
F3F2615CA1	21	F8806200	30	FEP-3620-3RA	9	FPC2210	75
F3F2625CA1	21	FAM33	25	FEP-3624-1RA	8	FPC2220	75
F3F2630CA1	21	FAM46	25	FEP-3624-3RA	9	FPC2240	75
F3F2640CA1	21	FAM66	25	FEP-3627-1RA	8	FPC2260	75
F3F2650CA1	21	FAM79	25	FEP-3648-1RA	8	FPC4110	75
F3F5115CA1L	16	FEC-30-120	74	FEP-3648-3RA	9	FPC4120	75
F3F5115CA1L	17	FEC-30-240	74	FEP-3657-1RA	8	FPC4140	75
F3F5125CA1L	16	FEC-60-120	74	FEP-3820-1RA	8	FPC4160	75
F3F5125CA1L	17	FEC-60-240	74	FEP-3820-3RA	9	FPC4210	75
F3F5130CA1L	16	FEP-0812-1RA	8	FEP-3824-1RA	8	FPC4220	75
F3F5130CA1L	17	FEP-0820-1RA	8	FEP-3824-3RA	9	FPC4240	75
F3F5140CA1L	16	FEP-0820-3RA	9	FEP-38271-RA	8	FPC4260	75
F3F5140CA1L	17	FEP-0824-1RA	8	FEP-3848-1RA	8	FPC7110	75
F3F5150CA1L	16	FEP-0824-3RA	9	FEP-7620-1RA	8	FPC7120	75
F3F5150CA1L	17	FEP-0827-1RA	8	FEP-7620-3RA	9	FPC7140	75
F3F5160CA1	19	FEP-0848-1RA	8	FEP-7624-1RA	8	FPC7160	75
F3F5170CA1	19	FEP-0848-3RA	9	FEP-7624-3RA	9	FPC7210	75
F3F5503T	11	FEP-1612-1RA	8	FEP-7627-1RA	8	FPC7220	75
F3F5505T	11	FEP-1620-1RA	8	FEP-7648-1RA	8	FPC7240	75
F3F5507T	11	FEP-1620-3RA	9	FEP-7648-3RA	9	FPC7260	75
F3F5510T	11	FEP-1624-1RA	8	FEP-7657-1RA	8	FPC8110	75
F3F5515T	11	FEP-1624-3RA	9	FEP3848-3RA	9	FPC8120	75
F3F5520T	11	FEP-1627-1RA	8	FES-0924-1C	78	FPC8140	75
F3F5525T	11	FEP-1648-1RA	8	FES-1024-1CA	78	FPC8160	75
F3F5530T	11	FEP-1648-3RA	9	FES-1520-3A	78	FPC8210	75
F3FUH03C03	13	FEP-1657-1RA	8	FES-1524-1A	78	FPC8220	75
F3FUH07C03	13	FEP-1712-1RA	8	FES-1524-3E	78	FPC8240	75
F3FUH12C03	13	FEP-1720-1RA	8	FES-1548-3E	78	FPC8260	75
F3FUH15C03	13	FEP-1720-3RA	9	FES-1560-3A	78	FS5101	17
F3FUH20CA1	13	FEP-1724-1RA	8	FES-3048-3A	78	FS5101	19
F3FUH25CA1	13	FEP-1724-3RA	9	FES-3060-3A	78	FS5101	19
F3FUH30CA1	13	FEP-1727-1RA	8	FES-4548-3	78	FS5101	19
F3G7203	94	FEP-1748-1RA	8	FES-4560-3	78	FS5101	19
F3G7205	94	FEP-1748-3RA	9	FFH-512A	72	FS5101	19
F3G7305	96	FEP-1812-1RA	8	FFH-912B	72	FS5101	19
F4320RP	47	FEP-1820-1RA	8	FH15	81	FS5101	19
F4320RPW	47	FEP-1820-3RA	9	FH1T	81	FS5102	17
F4320T2RP	47	FEP-1824-1RA	8	FHK-1	77	FS5102	19
F4320T2RPW	47	FEP-1824-3RA	9	FHK-1324-3A	76	FS5102	19
F4320TRP	47	FEP-1827-1RA	8	FHK-1348-3A	76	FS5102	19
F4320TRPW	47	FEP-1848-1RA	8	FHK-212-1CA	76	FS5102	19
F4420T2RP	40	FEP-1848-3RA	9	FHK-224-1A	76	FS5102	19
F4420TRP	40	FEP-3420-1RA	8	FHK-248-1A	76	FSW5111	17
F4820RPW	48	FEP-3420-3RA	9	FHK-424-1A	76	FSW5112	17
F4820T2RPW	48	FEP-3424-1RA	8	FHK-448-1A	76	FSW5112	19
F4820TRPW	48	FEP-3424-3RA	9	FHK-624-3A	76	FSW5112	22
F8801050	30	FEP-3427-1RA	8	FHK-648-3A	76	G1G2605CA1	21

Product Index Listing

Model	Page	Model	Page	Model	Page	Model	Page
G1G2607CA1	21	G2911-072S	53	G3316TRP	44	G3712-060B	50
G1G2610CA1	21	G2911-072SW	53	G3316TRPW	44	G3713-084	50
G1G5103N	16	G2912-060C	54	G3317RP	44	G3713-084B	50
G1G5103N	17	G2912-060HAW	52	G3317RPW	44	G3715-072	50
G1G5105N	16	G2912-060S	53	G3317T2RP	44	G3715-072B	50
G1G5105N	17	G2912-060SW	53	G3317T2RPW	44	G3715-096	50
G1G5107CA1L	16	G2913-084C	54	G3317TRP	44	G3715-096B	50
G1G5107CA1L	17	G2913-084S	53	G3317TRPW	44	G3717-084	50
G1G5110CA1N	16	G2913-084SW	53	G3323TD-RP	40	G3717-084B	50
G1G5110CA1N	17	G2915-072C	54	G3324TD-RP	40	G3718-120	50
G1G5503T	11	G2915-072HAW	52	G3325TD-RP	40	G3718-120B	50
G1G5505T	11	G2915-072S	53	G3326TD-RP	40	G3720-096	50
G1G5507T	11	G2915-072SW	53	G3327TD-RP	40	G3720-096B	50
G1G5510T	11	G2915-096C	54	G3338D-RP	34	G3725-120	50
G1G7203	94	G2915-096HAW	52	G3338D-RP	34	G3725-120B	50
G1G7205	94	G2915-096S	53	G3385D-RP	34	G3904-28	49
G1G7305	96	G2915-096SW	53	G3386D-RP	34	G3904-28C	49
G1GUH03003	13	G2917-084C	54	G3387D-RP	34	G3906-36	49
G1GUH05003	13	G2917-084S	53	G3422T	41	G3906-36C	49
G1GUH07CA1	13	G2917-084SW	53	G3423T	41	G3910-48	49
G1GUH10CA1	13	G2918-120C	54	G3424T	41	G3910-48C	49
G2903-024C	54	G2918-120HAW	52	G3425T	41	G3912-60	49
G2903-024HAW	52	G2918-120S	53	G3452T	41	G3912-60C	49
G2903-024S	53	G2918-120SW	53	G3453T	41	G3915-72	49
G2903-024SW	53	G2920-096C	54	G3454T	41	G3915-72C	49
G2905-028C	54	G2920-096HAW	52	G3455T	41	G3920-96	49
G2905-028HAW	52	G2920-096S	53	G3472	36	G3920-96C	49
G2905-028S	53	G2920-096SW	53	G3473	36	G8801050	30
G2905-028SW	53	G2925-120C	54	G3474	36	G8802075	30
G2906-036C	54	G2925-120HAW	52	G3475	36	G8803100	30
G2906-036HAW	52	G2925-120S	53	G3482	35	G8804125	30
G2906-036S	53	G2925-120SW	53	G3483	35	G8805150	30
G2906-036SW	53	G3032DWBW	34	G3484	35	G8806200	30
G2907-040C	54	G3052T2DWB	39	G3485	35	GF-SK-1	64
G2907-040HAW	52	G3052TDWB	39	G3703-024	50	GF-SK-1	76
G2907-040S	53	G3314RP	44	G3703-024B	50	H1D1AA	85
G2907-040SW	53	G3314RPW	44	G3705-028	50	H1G7203	94
G2907-048C	54	G3314T2RP	44	G3705-028B	50	H1G7205	94
G2907-048HAW	52	G3314T2RPW	44	G3706-036	50	H1G7305	96
G2907-048S	53	G3314TRP	44	G3706-036B	50	H1H2605CA1	21
G2907-048SW	53	G3314TRPW	44	G3707-040	50	H1H2607CA1	21
G2909-060C	54	G3315RP	44	G3707-040B	50	H1H2610CA1	21
G2909-060HAW	52	G3315RPW	44	G3707-048	50	H1H5503T	11
G2909-060S	53	G3315T2RP	44	G3707-048B	50	H1H5505T	11
G2909-060SW	53	G3315T2RPW	44	G3709-060	50	H1H5507T	11
G2910-048C	54	G3315TRP	44	G3709-060B	50	H1H5510T	11
G2910-048HAW	52	G3315TRPW	44	G3710-048	50	H1H5515T	11
G2910-048S	53	G3316RP	44	G3710-048B	50	H1HUH03003	13
G2910-048SW	53	G3316RPW	44	G3711-072	50	H1HUH05003	13
G2911-072C	54	G3316T2RP	44	G3711-072B	50	H1HUH07CA1	13
G2911-072HAW	52	G3316T2RPW	44	G3712-060	50	H1HUH12C03	13

Product Index Listing

INDEX

Model	Page	Model	Page	Model	Page	Model	Page
H1HUH15C03	13	H2920-096C	54	H3705-028B	50	H3H2630CA1	21
H1HUH20CA1	13	H2920-096CI	54	H3706-036	50	H3H2640CA1	21
H1HUH25CA1	13	H2920-096HAW	52	H3706-036B	50	H3H2650CA1	21
H1HUH30CA1	13	H2920-096S	53	H3707-040	50	H3H5503T	11
H2903-024C	54	H2920-096SW	53	H3707-040B	50	H3H5505T	11
H2903-024CI	54	H2920-120AWi	52	H3710-048	50	H3H5507T	11
H2903-024HAW	52	H2925-120C	54	H3710-048B	50	H3H5510T	11
H2903-024S	53	H2925-120CI	54	H3712-060	50	H3H5515T	11
H2903-024SW	53	H2925-120HAW	52	H3712-060B	50	H3H5520T	11
H2903-24AWi	52	H2925-120S	53	H3715-072	50	H3H5525T	11
H2905-028C	54	H2925-120SW	53	H3715-072B	50	H3H5530T	11
H2905-028CI	54	H2HUH05C03	13	H3717-084	50	H3H5605T	23
H2905-028HAW	52	H2HUH07C03	13	H3717-084B	50	H3H5705T	22
H2905-028S	53	H3032DWBW	34	H3720-096	50	H3HUH03C03	13
H2905-028SW	53	H30522T2DWB	39	H3720-096B	50	H3HUH12C03	13
H2905-28AWi	52	H30522TDWB	39	H3725-120	50	H3HUH15C03	13
H2906-036C	54	H3052T2DWB	39	H3725-120B	50	H3HUH20CA1	13
H2906-036C	54	H3052TDWB	39	H3904-28	49	H3HUH25CA1	13
H2906-036HAW	52	H3275RPW	46	H3904-28C	49	H3HUH30CA1	13
H2906-036S	53	H3275T2RPW	46	H3906-36	49	H46D1214	85
H2906-036SW	53	H3317RP	44	H3906-36C	49	H474 TMC	80
H2906-36AWi	52	H3317RPW	44	H3910-48	49	H5520/HMK	10
H2907-040C	54	H3317T2RP	44	H3910-48C	49	H5550/HMK	10
H2907-040C	54	H3317T2RPW	44	H3912-60	49	H8801050	30
H2907-040HAW	52	H3317T2SRP	45	H3912-60C	49	H8801050i	30
H2907-040S	53	H3317T2SRPW	45	H3915-72	49	H8802075	30
H2907-040SW	53	H3317TRP	44	H3915-72C	49	H8802075i	30
H2907-40AWi	52	H3317TRPW	44	H3920-96	49	H8803100	30
H2910-048C	54	H3317TSRP	45	H3920-96C	49	H8803100i	30
H2910-048CI	54	H3317TSRPW	45	H3G7203	94	H8804125	30
H2910-048HAW	52	H3327TD-RP	40	H3G7205	94	H8804125i	30
H2910-048S	53	H3387D-RP	34	H3G7210	94	H8805150	30
H2910-048SW	53	H3422T	41	H3G7210-2	94	H8805150i	30
H2910-48AWi	52	H3423T	41	H3G7215	94	H8806200	30
H2912-060C	54	H3424T	41	H3G7215-2	94	H8806200i	30
H2912-060C	54	H3425T	41	H3G7220-2	94	HDWG-13	64
H2912-060HAW	52	H3452T	41	H3G7223-2	94	HDWG-13	65
H2912-060S	53	H3453T	41	H3G7230-2	94	HDWG-2	64
H2912-060SW	53	H3454T	41	H3G7305	96	HDWG-2	65
H2912-60AWi	52	H3455T	41	H3G7310	96	HDWG-27	64
H2915-072C	54	H3472	36	H3G7310-2	96	HDWG-27	65
H2915-072CI	54	H3473	36	H3G7312	96	HDWG-4	64
H2915-072HAW	52	H3474	36	H3G7312-2	96	HDWG-4	65
H2915-072S	53	H3475	36	H3G7315	96	HDWG-6	64
H2915-072SW	53	H3482	35	H3G7315-2	96	HDWG-6	65
H2915-72AWi	52	H3483	35	H3H2605CA1	21	HF1B5103N	16
H2917-084C	54	H3484	35	H3H2607CA1	21	HF1B5103N	17
H2917-084CI	54	H3485	35	H3H2610CA1	21	HF1B5105N	16
H2917-084S	53	H3703-024	50	H3H2615CA1	21	HF1B5105N	17
H2917-084SW	53	H3703-024B	50	H3H2620CA1	21	HF2B5103N	16
H2917-84AWi	52	H3705-028	50	H3H2625CA1	21	HF2B5103N	17

Product Index Listing

Model	Page	Model	Page	Model	Page	Model	Page
HF2B5105N	16	HF3B5140CA1L	16	HIHUH10CA1	13	HP6H-12PK	92
HF2B5105N	17	HF3B5140CA1L	17	HLA 12-208160-3.0-24	5	HP8-1440120-2CT	92
HF2B5107CA1L	16	HF3B5150CA1L	16	HLA 12-208160-5.0-24	5	HP8-1440120-2CT	92
HF2B5107CA1L	17	HF3B5150CA1L	17	HLA 12-208160-7.5-24	5	HP8-1440120-2CTRP	93
HF2B5110CA1L	16	HF3B5160CA1	19	HLA 12-208360-3.0-24	5	HP8-1440120-2T	92
HF2B5110CA1L	17	HF3B5170CA1	19	HLA 12-208360-5.0-24	5	HP8-1440120-2T	92
HF2HUH10C03	13	HF3B5180CA1	19	HLA 12-208360-7.5-24	5	HP8-1440120-2TRP	93
HF3210RPW	46	HF3B5190CA1	19	HLA 12-240160-3.0-24	5	HP8C-12PK	92
HF3210T2RPW	46	HF4310RP	47	HLA 12-240160-5.0-24	5	HP8H-12PK	92
HF3215RPW	46	HF4310RPW	47	HLA 12-240160-7.5-24	5	ICH-240C	80
HF3215T2RPW	46	HF4310T2RP	47	HLA 12-240360-3.0-24	5	IDS	60
HF3220RPW	46	HF4310T2RPW	47	HLA 12-240360-5.0-24	5	IDS 30	60
HF3220T2RPW	46	HF4310TRP	47	HLA 12-240360-7.5-24	5	IDS 40	60
HF3222RPW	46	HF4310TRPW	47	HLA 12-480360-3.0-24	5	ITD	60
HF3222T2RPW	46	HF4315RP	47	HLA 12-480360-5.0-24	5	ITS	60
HF3315RP	44	HF4315RPW	47	HLA 12-480360-7.5-24	5	J3326TD-RP	40
HF3315RPW	44	HF4315T2RP	47	HLA 16-208360-10.0-24	5	J3327TD-RP	40
HF3315T2RP	44	HF4315T2RPW	47	HLA 16-240160-10.0-24	5	J3422T	41
HF3315T2RPW	44	HF4315TRP	47	HLA 16-240360-10.0-24	5	J3423T	41
HF3315T2SRP	45	HF4315TRPW	47	HLA 16-480360-10.0-24	5	J3424T	41
HF3315T2SRPW	45	HF4320RP	47	HLA 20-208360-15.0-24	5	J3425T	41
HF3315TRP	44	HF4320RPW	47	HLA 20-240360-15.0-24	5	J3452T	41
HF3315TRPW	44	HF4320T2RP	47	HLA 20-480360-15.0-24	5	J3453T	41
HF3315TSRP	45	HF4320T2RPW	47	HLA 20-480360-20.0-24	5	J3454T	41
HF3315TSRPW	45	HF4320TRP	47	HLA 20-480360-25.0-24	5	J3455T	41
HF3316RP	44	HF4320TRPW	47	HLA 20-600360-15.0-24	5	J3472	36
HF3316RPW	44	HF4375RP	47	HLA 20-600360-20.0-24	5	J3473	36
HF3316T2RP	44	HF4375RPW	47	HLA 20-600360-25.0-24	5	J3474	36
HF3316T2RPW	44	HF4375T2RP	47	HLHM	6	J3475	36
HF3316T2SRP	45	HF4375T2RPW	47	HLP1015	6	J3482	35
HF3316T2SRPW	45	HF4375TRP	47	HLP1525	6	J3483	35
HF3316T2SRPW	45	HF4375TRPW	47	HLPM37	6	J3484	35
HF3316TRP	44	HF4410T2RP	40	HLT-1	6	J3485	35
HF3316TRPW	44	HF4415T2RP	40	HLT-1	9	JK	55
HF3316TSRP	45	HF4420T2RP	40	HLT-1	83	JKB	55
HF3316TSRPW	45	HF4475T2RP	40	HLT-2	6	JKW	55
HF3323TD-RP	40	HF4810RPW	48	HLT-2	9	K3326TD-RP	40
HF3324TD-RP	40	HF4810T2RPW	48	HLT-2	83	K3327TD-RP	40
HF3325TD-RP	40	HF4815RPW	48	HLWM10	6	K3422T	41
HF3326TD-RP	40	HF4815T2RPW	48	HLWM1525	6	K3423T	41
HF3384D-RP	34	HF4820RPW	48	HLWM37	6	K3424T	41
HF3385D-RP	34	HF4820T2RPW	48	HP-11-QT	77	K3425T	41
HF3386D-RP	34	HF4875RPW	48	HP-5-QT	77	K3452T	41
HF3B51100CA1	19	HF4875T2RPW	48	HP-6-QT	77	K3453T	41
HF3B5115CA1L	16	HF5605T	23	HP6-1000120-2CT	92	K3454T	41
HF3B5115CA1L	17	HF5705T	22	HP6-1000120-2CT	92	K3455T	41
HF3B5120CA1L	16	HF5840TC	80	HP6-1000120-2CTRP	93	K3472	36
HF3B5120CA1L	17	HF5848TC	80	HP6-1000120-2T	92	K3473	36
HF3B5125CA1L	16	HF684TC	80	HP6-1000120-2T	92	K3474	36
HF3B5125CA1L	17	HF685TC	80	HP6-1000120-2TRP	93	K3475	36
HF3B5130CA1L	16	HF686TC	80	HP6C-12PK	92	K3482	35
HF3B5130CA1L	17						

Product Index Listing

<i>Model</i>	<i>Page</i>	<i>Model</i>	<i>Page</i>	<i>Model</i>	<i>Page</i>	<i>Model</i>	<i>Page</i>
K3483	35	M3316T2SRPWi	45	MR-224-1	64	OCH-57-480VE	70
K3484	35	M3324TD-RPi	40	MR-227-1	64	OCHWG-46	70
K3485	35	M3325TD-RPi	40	MR-248-1	64	OCHWG-57	70
KB33	25	M3384D-RPi	34	MR-257-1	64	OFG 51100	18
KB46	25	M3385D-RPi	34	MR-27	65	OFG 5175	18
KB66	25	M3386D-RPi	34	MR-2720-3	64	OFG5101	15
KB79	25	M3472T2i	36	MR-2724-3	64	OFG5102	15
KT110	84	M3473T2i	36	MR-2748-3	64	OFG5103	15
KT121	84	M3474T2i	36	MR-2757-3	64	P3472A1	36
KTD110	84	M3482T2i	35	MR-4	65	P3473A1	36
KTO110	84	M3483T2i	35	MR-420-1	64	P3474A1	36
KTO121	84	M3484T2i	35	MR-424-1	64	P3475A1	36
L8801050	30	M4310T2RPi	47	MR-427-1	64	P3482A1	35
L8802075	30	M4315T2RPi	47	MR-448-1	64	P3483A1	35
L8803100	30	M4320T2RPi	47	MR-457-1	64	P3484A1	35
L8804125	30	M4375T2RPi	47	MR-6	65	P3485A1	35
L8805150	30	M8801050i	30	MR-620-3	64	P3G7210	94
L8806200	30	M8802075i	30	MR-624-3	64	P3P2605CA1	21
LB110	84	M8803100i	30	MR-627-3	64	P3P2607CA1	21
LB210	84	M8804125i	30	MR-648-3	64	P3P2610CA1	21
LR100A	85	M8805150i	30	MR-657-3	64	P3P2615CA1	21
LRD100A	85	M8806200i	30	MS4122	33	P3P2620CA1	21
LRO100A	85	MCS120-8CT	92	MS4123	33	P3P2625CA1	21
LVRS	55	MFHE-0300-6-EAA	93	MS4124	33	P3P2630CA1	21
LVRSB	55	MFHE-0300-6-EAAC	93	MS4125	33	P3P2640CA1	21
LVRSW	55	MFHE-0300-6-EAACRP	93	MS4126	33	P3P2650CA1	21
LVTR	60	MFHE-0300-6-EAARP	93	MSE4120-12	33	P3P5103CA1N	16
M2903-024CI	54	MFHE-0300-6-FAAF2D	93	N3472T2i	36	P3P5103CA1N	17
M2903-24AWi	52	MFHE-0300-6-HAA	93	N3473T2i	36	P3P5105CA1N	16
M2905-028CI	54	MFHE-0300-6-HAAF2D	93	N3474T2i	36	P3P5105CA1N	17
M2905-28AWi	52	MFHE-0300-6-HAARP	93	N3482T2i	35	P3P5107CA1L	17
M2906-036CI	54	MFHE-0300-8-EAA	93	N3483T2i	35	P3P5107CA1N	16
M2906-36AWi	52	MFHE-0300-8-EAAC	93	N3484T2i	35	P3P51100CA1	19
M2907-040CI	54	MFHE-0300-8-EAACRP	93	OCH-46-120V-SSE	70	P3P5110CA1N	16
M2907-40AWi	52	MFHE-0300-8-EAARP	93	OCH-46-120VCE	70	P3P5110CA1N	17
M2910-048CI	54	MFHE-0300-8-HAA	93	OCH-46-120VE	70	P3P5115CA1L	17
M2910-48AWi	52	MFHE-0300-8-HAARP	93	OCH-46-208V-SSE	70	P3P5115CA1N	16
M2912-060CI	54	MM-13A	72	OCH-46-208VE	70	P3P5120CA1N	16
M2912-60AWi	52	MM-18A	72	OCH-46-240V-SSE	70	P3P5120CA1N	17
M2915-072CI	54	MM-24A	72	OCH-46-240VE	70	P3P5125CA1N	16
M2915-72AWi	52	MM-33A	72	OCH-46-277V-SSE	70	P3P5125CA1N	17
M2917-084CI	54	MM-46A	72	OCH-46-277VE	70	P3P5130CA1N	16
M2917-84AWi	52	MR-13	65	OCH-57-208V-SSE	70	P3P5130CA1N	17
M2920-096CI	54	MR-1320-3	64	OCH-57-208VCE	70	P3P5140CA1N	16
M2925-120AWi	52	MR-1324-3	64	OCH-57-208VE	70	P3P5140CA1N	17
M2925-120CI	54	MR-1327-3	64	OCH-57-240V-SSE	70	P3P5150CA1N	16
M3210T2RPWi	46	MR-1348-3	64	OCH-57-240VCE	70	P3P5150CA1N	17
M3215T2RPWi	46	MR-1357-3	64	OCH-57-240VE	70	P3P5160CA1	19
M3220T2RPWi	46	MR-2	65	OCH-57-277V-SSE	70	P3P5170CA1	19
M3222T2RPWi	46	MR-212-1	64	OCH-57-277VE	70	P3P5180CA1	19
M3315T2SRPWi	45	MR-220-1	64	OCH-57-480V-SSE	70	P3P5190CA1	19

Model	Page	Model	Page	Model	Page	Model	Page
P3P5503T	11	PCH-48C	77	PR 120-277/240	60	RDBT-PD-300BS	63
P3P5505T	11	PD-128-3	98	PT3480	35	RDBT-PD-4	63
P3P5507T	11	PD10-1810-1	98	Q3H5103CA1	16	RDBT-PD-400BS	63
P3P5510T	11	PD10-1812-3	98	Q3H5105CA1	16	RDBT-PD-5	63
P3P5515T	11	PD15-1812-1	98	Q3H5107CA1	16	RDBT-PD-500BS	63
P3P5520T	11	PD15-1812-1-3	98	Q3H5110CA1	16	RDBT-PD-6	63
P3P5525T	11	PD15-1812-2-3	98	Q3H5115CA1	16	RDBT-PD-600BS	63
P3P5530T	11	PD20-2012-1	98	Q3H5120CA1	16	RDBT-PD-7	63
P3P5540T	11	PD20-2012-3	98	Q3H5125CA1	16	RDBT-PD-700BS	63
P3P5548T	11	PD25-2016-1	98	Q3H5130CA1	16	RDBT-PD-8	63
P3P5605T	23	PD25-2016-3	98	Q3H5140CA1	16	RDBT-PD-800BS	63
P3P5705T	22	PD30-2416-2-3	98	R3H5103CA1	16	RDBT-PD-9	63
P3P7205	94	PD30-2416-3-3	98	R3H5105CA1	16	RDBT-PD-900BS	63
P3P7210-2	94	PD35-2416-3	98	R3H5107CA1	16	RDBT-PDIC	63
P3P7215	94	PD40-2416-3	98	R3H5110CA1	16	RDBT-PDIECL	63
P3P7215-2	94	PD45-3016-3	98	R3H5115CA1	16	RDBT-PDIECR	63
P3P7220-2	94	PD5-128-1	98	R3H5120CA1	16	RDBT-PDOC	63
P3P7225-2	94	PD50-3016-3	98	R3H5125CA1	16	RFKit-5	86
P3P7230-2	94	PHLA12-208160-3.0-24-TDP	7	R3H5130CA1	16	RFKIT-5	93
P3P7235-2	94	PHLA12-208160-5.0-24-TDP	7	R3H5140CA1	16	RFR-5	86
P3P7240-2	94	PHLA12-208160-7.5-24-TDP	7	RCP122	37	RFR5002	86
P3P7245-2	94	PHLA12-208360-3.0-24-TDP	7	RCP122i	37	RFT-1	86
P3P7250-2	94	PHLA12-208360-5.0-24-TDP	7	RCP123	37	RH1505D0	85
P3P7305	96	PHLA12-208360-7.5-24-TDP	7	RCP123i	37	RH3	85
P3P7310	96	PHLA12-240160-3.0-24-TDP	7	RCP125	37	RH35	85
P3P7310-2	96	PHLA12-240160-5.0-24-TDP	7	RCP125i	37	RH3A	85
P3P7312	96	PHLA12-240160-7.5-24-TDP	7	RCP127	37	RHG-1012A	77
P3P7312-2	96	PHLA12-240360-3.0-24-TDP	7	RCP127i	37	RK120EAA	88
P3P7315	96	PHLA12-240360-5.0-24-TDP	7	RCP2202i	37	RK124EAA	88
P3P7315-2	96	PHLA12-240360-7.5-24-TDP	7	RCP2203i	37	RK130EAA	88
P3P7318	96	PHLA12-480360-3.0-24-TDP	7	RCP2205i	37	RK134EAA	88
P3P7318-2	96	PHLA12-480360-5.0-24-TDP	7	RCP2207i	37	RKWP1AA	88
P3PUH03CA1	13	PHLA12-480360-7.5-24-TDP	7	RCP702	37	RMF-222-A	69
P3PUH05CA1	13	PHLA12-600360-3.0-24-TDP	7	RCP703	37	RMF-222-SS-A	69
P3PUH07CA1	13	PHLA12-600360-5.0-24-TDP	7	RCP705	37	RMF-223-SS	69
P3PUH10CA1	13	PHLA12-600360-7.5-24-TDP	7	RCP707	37	RMF-342-A	69
P3PUH12CA1	13	PHLA16-208360-10.0-24-TDP	7	RCP802	37	RMF-342-SS-A	69
P3PUH15CA1	13	PHLA16-240160-10.0-24-TDP	7	RCP803	37	RMF-343-SS	69
P3PUH20CA1	13	PHLA16-240360-10.0-24-TDP	7	RCP805	37	RMF-462-A	69
P3PUH25CA1	13	PHLA16-480360-10.0-24-TDP	7	RCP807	37	RMF-462-SS-A	69
P3PUH30CA1	13	PHLA16-600360-10.0-24-TDP	7	RD5120	15	RMF-463-SS	69
P3PUH40CA1	13	PHLA20-208360-15.0-24-TDP	7	RD5120	15	RPH-208-A	72
P3PUH48CA1	13	PHLA20-240360-15.0-24-TDP	7	RD5150	15	RPH-240-A	72
P5520/PMK	10	PHLA20-480360-15.0-24-TDP	7	RD5150	15	RPH1-5A	81
P5550/PMK	10	PHLA20-480360-20.0-24-TDP	7	RD5175	15	RPH2-5A	81
P8801050	30	PHLA20-480360-25.0-24-TDP	7	RDBT-PD-10	63	RPH2-5Ai	81
P8802075	30	PHLA20-600360-15.0-24-TDP	7	RDBT-PD-1000BS	63	S2022H10AA	83
P8803100	30	PHLA20-600360-20.0-24-TDP	7	RDBT-PD-100BS	63	S2022H10AB	83
P8804125	30	PHLA20-600360-25.0-24-TDP	7	RDBT-PD-2	63	S2025H10AA	83
P8805150	30	PR 120-277/120	60	RDBT-PD-200BS	63	SB-6*	93
P8806200	30	PR 120-277/24	60	RDBT-PD-3	63	SB-8*	93

Product Index Listing

Model	Page	Model	Page	Model	Page
SB6-120-CT	92	TF-66	25	UT9001	88
SB6-120-CT	93	TF-79	25	V5105	15
SB6-120-T	92	TFS5101	17	V51100	18
SB6-120-T	93	TFS5101	19	V5120	15
SB8-120-CT	92	TFS5102	17	V5150	15
SB8-120-CT	93	TG1	88	VHC-15	70
SB8-120-T	92	TG1B	88	VHC-15	74
SB8-120-T	93	TG2	88	VHC-32	70
SC5100	19	TG2B	88	VHC-32	74
SDHW1001	86	TG3	88	VMB-41-SS	69
SDRF1001	86	TG3B	88	VMB-41-SS	70
SDRFK5002	86	TH115-A-024T	87	W5520/WMK	10
SDRMT001	86	TH148LE-P	87	W5550/WMK	10
SF200	37	TL8230A1003	86	WWA00	55
SF400	37	TO-SK-1	76	WWA01	55
SO 12/4	78	TSH1TX	81	WWA02	55
SO 4/3	78	TSH20J	81	WWA03	55
SO 6/4	78	TSH20JW	81	WWA04	55
SR120	55	TSH2TX	81	WWA05	55
SR120B	55	TUH1	13	WWA06	55
SR120W	55	TW123	17	WWA07	55
SR220	55	TW123 / TH5220D	87	WWA08	55
SR220B	55	TW145	84	WWA09	55
SR220W	55	TW146	84	Y3472A1	36
T1	8	TW1510	17	Y3473A1	36
T2	8	TW1512	17	Y3474A1	36
T4398A1021	86	TW155A	11	Y3475A1	36
T5100	17	TW155A	84	Y3482A1	35
T5100	17	TW255A	11	Y3483A1	35
T5102	17	TW255A	84	Y3484A1	35
T5122	17	U3H2605CA4	21	Y3485A1	35
TAT-24-FAN-120V-1	90	U3H2607CA4	21	YES-1520-3A	78
TAT-30/1T	90	U3H2610CA4	21	YES-1524-1A	78
TAT-45/1T	90	U3H2615CA4	21	YES-1524-3E	78
TAT-ILC-25	90	U3H2620CA4	21	YES-1548-3E	78
TAT20-480-3/3BB/1T	90	U3U2625CA1	21	YES-3048-3A	78
TAT5-208-1/3BB/1T	90	U3U2630CA1	21		
TAT5-240-1/3BB/1T	90	U3U2640CA1	21		
TAT8-208-1/3BB/1T	90	U3U2650CA1	21		
TAT8-240-1/3BB/1T	90	U8801050	30		
TB3000	34	U8802075	30		
TB3380	34	U8803100	30		
TBD	55	U8804125	30		
TBS	55	U8805150	30		
TC1602	17	U8806200	30		
TC1602	22	UHB-1	13		
TC5102	17	UHB-3	13		
TC5102	19	UHB-4	13		
TC5103	17	UT1001	88		
TF-33	25	UT3001	88		
TF-46	25	UT8001	88		