

*For Residential and Commercial Applications*

Job Name		Engineer / Architect	
Job Location		Wholesaler	
Submittal Date		Contractor	

## OCR1912DL/OCR1920DL/OCR3912DL Copper Toilet Supply Kit - Multi-Turn Compression Angle Stop

**Use:** For use with water in accessible locations only. Not intended for recirculating water systems that produce continuous use temperatures above 115° F. For those applications, use our KT™ series ball stop supply kits.


**Design Features:**

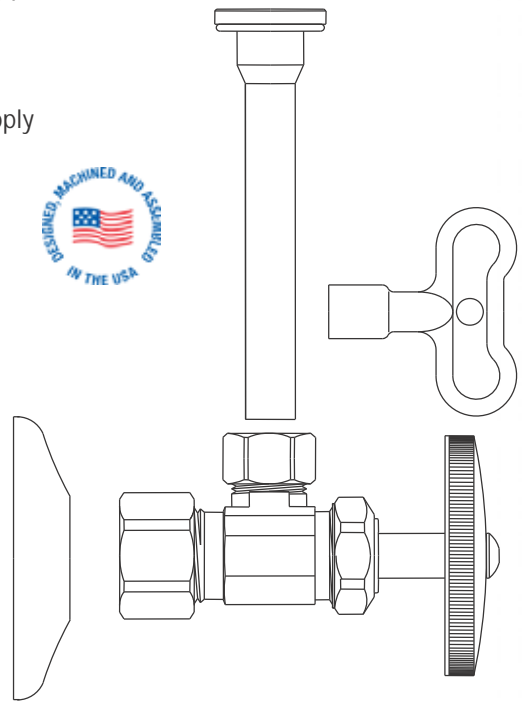
- **Everything you need.** These kits combine our trusted BrassCraft® supply stop, copper riser, and escutcheon for an easy-to-install connection

**Copper riser provides:**

- **One-piece** construction
- **Cut-to-length** for a clean, professional installation

**Multi-Turn stop provides:**

- **Machined one-piece brass body** provides strength, durability, and long-lasting performance
- **Knurled handle** provides a secure grip and smooth on/off operation
- **Easy-to-remove handle** helps protect against accidental stop operation during rough-ins
-  **No Lead**



**Operating Specifications:**

Temperature: 40° - 140° F  
 Pressure: 125 PSI maximum

Tube Diameter: 3/8" OD or 1/2" OD

**Standard**

CONNECTOR MATERIAL SPECIFICATIONS	
Tube	Copper or copper, chrome plated
Nosepiece	Rubber

Escutcheon	Stainless steel
------------	-----------------

Loose Key	Zinc, die cast
Loose Key Stem	Brass, chrome plated
Lock Shield	Brass, chrome plated

STOP MATERIAL SPECIFICATIONS	
Body	Brass or brass, chrome plated
Stem	POM; brass; or brass, chrome plated
Handle	Zinc, die cast plated; ABS, plated; or Polycarbonate
Handle Screw	Zinc-plated steel
Bib & Packing Washer	Rubber
Packing Nut	Brass or brass, chrome plated
Compression Sleeve	Brass
Compression Nuts	Brass or brass, chrome plated

*This specification and all information contained herein is the confidential and exclusive property of BrassCraft Manufacturing, and shall not be disclosed to others without the written consent of BrassCraft Mfg. This specification must be returned to BrassCraft Mfg if requested.*



# OCR1912DL/OCR1920DL/OCR3912DL Copper Toilet Supply Kit - Multi-Turn Compression Angle Stop

*No Lead*

CONNECTOR MATERIAL SPECIFICATIONS	
Tube	Copper or copper, chrome plated
Nosepiece	Rubber

Escutcheon	Stainless steel
------------	-----------------

Loose Key	Zinc, die cast
Loose Key Stem	Brass, chrome plated
Lock Shield	Brass, chrome plated

STOP MATERIAL SPECIFICATIONS	
Body	No-Lead brass or No-Lead brass, chrome plated
Stem	POM; brass; or brass, chrome plated
Handle	Zinc, die cast plated; ABS, plated; or Polycarbonate
Handle Screw	Zinc-plated steel
Bib & Packing Washer	Rubber
Packing Nut	Brass or brass, chrome plated
Compression Sleeve	Brass
Compression Nuts	Brass or brass, chrome plated

**Standard Part Listing:**

- OCR1912DL C      1/2" nom compression x 3/8" OD compression stop with 3/8" OD tube x 11-1/2" length riser & shallow escutcheon, chrome plated
- OCR1912DL BZ      1/2" nom compression x 3/8" OD compression stop with 3/8" OD tube x 11-1/2" length riser & shallow escutcheon, oil rubbed bronze
- OCR1912DL NS      1/2" nom compression x 3/8" OD compression stop with 3/8" OD tube x 11-1/2" length riser & shallow escutcheon, satin nickel
- OCR1912DLZ C      1/2" nom compression x 3/8" OD compression stop, brass stem with 3/8" OD tube x 11-1/2" length riser & shallow escutcheon, chrome plated
- XXCR1912DLZ C      1/2" nom compression x 3/8" OD compression stop, brass stem with 3/8" OD tube x 11-1/2" length riser & shallow escutcheon, chrome plated, with round handle
- OCR1920DL C      1/2" nom compression x 3/8" OD compression stop with 3/8" OD tube x 19-1/2" length riser & shallow escutcheon, chrome plated
- OCR1920DL BZ      1/2" nom compression x 3/8" OD compression stop with 3/8" OD tube x 19-1/2" length riser & shallow escutcheon, oil rubbed bronze
- OCR1920DL NS      1/2" nom compression x 3/8" OD compression stop with 3/8" OD tube x 19-1/2" length riser & shallow escutcheon, satin nickel
- OCR3912DL C      1/2" nom compression x 1/2" OD compression stop with 1/2" OD tube x 11-1/2" length riser & shallow escutcheon, chrome plated
- SCR1912DL C      1/2" nom compression x 3/8" OD compression stop with 3/8" OD tube x 11-1/2" length riser & shallow escutcheon, chrome plated, loose key
- STCR1912DL C      1/2" nom compression x 3/8" OD compression stop with 3/8" OD tube x 11-1/2" length riser & shallow escutcheon, chrome plated, loose key, stuffing box, lock shield

**No-Lead Part Listing:**

- OCR1912DLX C      1/2" nom compression x 3/8" OD compression stop with 3/8" OD tube x 11-1/2" length riser & shallow escutcheon, chrome plated
- OCR1912DLX BZ      1/2" nom compression x 3/8" OD compression stop with 3/8" OD tube x 11-1/2" length riser & shallow escutcheon, oil rubbed bronze
- OCR1912DLX NS      1/2" nom compression x 3/8" OD compression stop with 3/8" OD tube x 11-1/2" length riser & shallow escutcheon, satin nickel
- OCR1912DLZX C      1/2" nom compression x 3/8" OD compression stop, brass stem with 3/8" OD tube x 11-1/2" length riser & shallow escutcheon, chrome plated
- XXCR1912DLZX C      1/2" nom compression x 3/8" OD compression stop, brass stem with 3/8" OD tube x 11-1/2" length riser & shallow escutcheon, chrome plated, with round handle

*This specification and all information contained herein is the confidential and exclusive property of BrassCraft Manufacturing, and shall not be disclosed to others without the written consent of BrassCraft Mfg. This specification must be returned to BrassCraft Mfg if requested.*

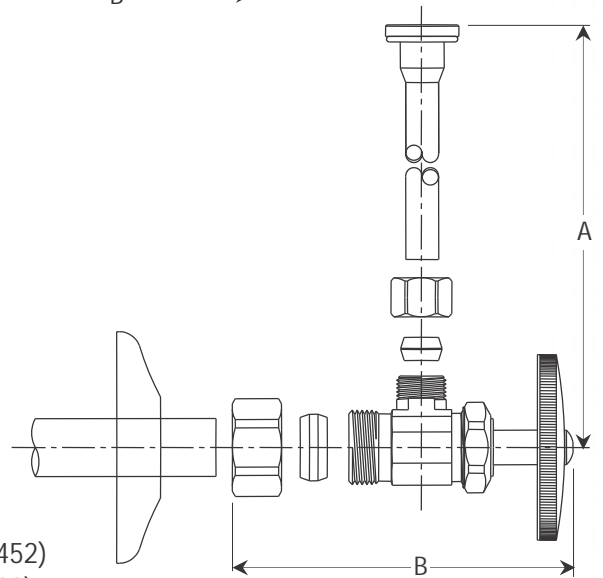
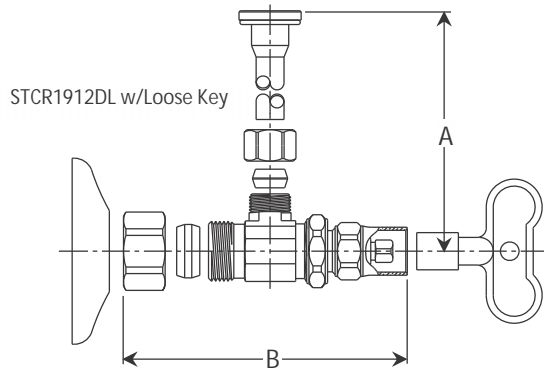
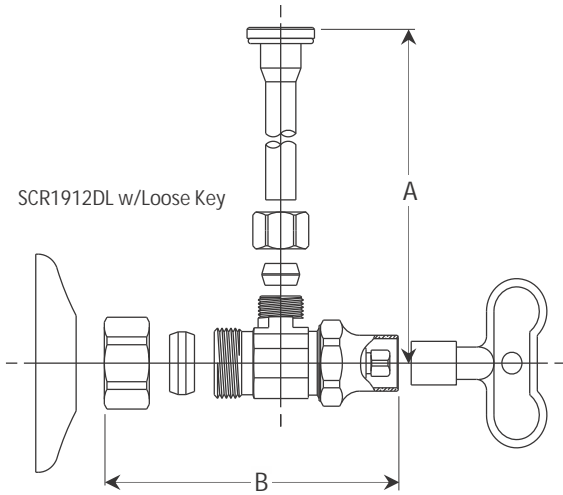


# OCR1912DL/OCR1920DL/OCR3912DL Copper Toilet Supply Kit - Multi-Turn Compression Angle Stop

**No-Lead Part Listing Con't:**

- OCR1920DLX C      1/2" nom compression x 3/8" OD compression stop with 3/8" OD tube x 19-1/2" length riser & shallow escutcheon, chrome plated
- OCR1920DLX BZ      1/2" nom compression x 3/8" OD compression stop with 3/8" OD tube x 19-1/2" length riser & shallow escutcheon, oil rubbed bronze
- OCR1920DLX NS      1/2" nom compression x 3/8" OD compression stop with 3/8" OD tube x 19-1/2" length riser & shallow escutcheon, satin nickel
- OCR3912DLX C      1/2" nom compression x 1/2" OD compression stop with 1/2" OD tube x 11-1/2" length riser & shallow escutcheon, chrome plated
- SCR1912DLX C      1/2" nom compression x 3/8" OD compression stop with 3/8" OD tube x 11-1/2" length riser & shallow escutcheon, chrome plated, loose key
- STCR1912DLX C      1/2" nom compression x 3/8" OD compression stop with 3/8" OD tube x 11-1/2" length riser & shallow escutcheon, chrome plated, loose key, stuffing box, lock shield

PART DIMENSIONS (Inches)		
Model	DIM. A	DIM. B
XXCR1912DLZ	11.92	2.75
OCR1912DL /DLZ	11.92	2.75
OCR1920DL	19.92	2.75
OCR3912DL	11.92	2.84
SCR1912DL	11.92	2.64
STCR1912DL	11.92	3.03



**Listings & Certifications:**

- IAPMO listed to ASME A112.18.6 and CSA B125.6 (File # 0452)
- CSA listed to ASME A112.18.6 and CSA B125.6 (File #204593)
- No-Lead product CSA listed to Low-Lead Content Certification Program – Plumbing Products Class 6853-01



*This specification and all information contained herein is the confidential and exclusive property of BrassCraft Manufacturing, and shall not be disclosed to others without the written consent of BrassCraft Mfg. This specification must be returned to BrassCraft Mfg if requested.*

