

## WATER SUPPLIES

### List Price Schedule - January 1, 2013

Part Number	Description	Item UPC	List Price EA
001E	RISER COMPONENT PARTS - FAUCET - FRICTION RING FOR 3/8" OD TOILET RISERS	026613034010	.97
003E	RISER COMPONENT PARTS - FAUCET - FRICTION RING FOR 1/2" OD TOILET RISERS	026613040998	1.13
004X	RISER COMPONENT PARTS - FAUCET - FRICTION RING FOR 27/32" OD RISERS	026613041018	.95
01E	RISER COMPONENT PARTS - FAUCET - CONE WASHER FOR 3/8" OD TUBE	026613041025	.97
01W	RISER COMPONENT PARTS - FAUCET - CONE WASHER FOR 3/8" OD TUBE	026613041032	.65
03E	RISER COMPONENT PARTS - FAUCET - CONE WASHER FOR 1/2" OD TUBE	026613041056	1.13
10X C	BRASS FITTING - COMP X FIP UNION 3/8" OD TUBE X 3/8" FIP	026613145266	6.25
1-12 C	COPPER TUBING - DEAD SOFT - CHR M PLTD SLIP TUBE 3/8" OD X 12" LONG SLIP TUBE X 12"	026613041087	6.52
112-02-RX	CLOSE PIPE NIPPLE - 1/8" PIPE THREAD	026613145303	4.91
112-04-RX	CLOSE PIPE NIPPLE - 1/4" PIPE THREAD	026613145310	5.64
112-06-CX	CLOSE PIPE NIPPLE - 3/8" PIPE THREAD	026613145327	7.93
112-06-RX	CLOSE PIPE NIPPLE - 3/8" PIPE THREAD	026613145334	5.64
112-08-CX	CLOSE PIPE NIPPLE - 1/2" PIPE THREAD	026613145341	8.27
112-08-RX	CLOSE PIPE NIPPLE - 1/2" PIPE THREAD	026613145358	5.95
112-12-RX	CLOSE PIPE NIPPLE - 3/4" PIPE THREAD	026613145365	9.70
112-16-RX	CLOSE PIPE NIPPLE - 1" PIPE THREAD	026613145372	17.28
1-12A BZP	SPF FAUCET RISER - 3/8" OD TUBE FOR 12" LENGTH	026613124308	18.72
1-12A C	FAUCET RISER - 3/8" OD TUBE FOR 12" LENGTH	026613002576	8.61
1-12A NSP	SPF FAUCET RISER - 3/8" OD TUBE FOR 12" LENGTH	026613124315	18.72
1-12A R	FAUCET RISER - 3/8" OD TUBE FOR 12" LENGTH	026613042343	6.40
1-12DE BZP	SPF TOILET RISER W/ HEAVY DUTY RUBBER NOSEPIECE - 3/8" OD TUBE FOR 12" LENGTH	026613124339	18.72
1-12DE C	TOILET RISER W/ HEAVY DUTY RUBBER NOSEPIECE - 3/8" OD TUBE FOR 12" LENGTH	026613042398	11.14
1-12DE NSP	SPF TOILET RISER W/ HEAVY DUTY RUBBER NOSEPIECE - 3/8" OD TUBE FOR 12" LENGTH	026613124346	18.72
1-12DL BZP	SPF TOILET RISER W/ GASKET NOSEPIECE - 3/8" OD TUBE FOR 12" LENGTH	026613124469	18.72
1-12DL C	TOILET RISER W/ GASKET NOSEPIECE - 3/8" OD TUBE FOR 12" LENGTH	026613002613	9.11
1-12DL NSP	SPF TOILET RISER W/ GASKET NOSEPIECE - 3/8" OD TUBE FOR 12" LENGTH	026613124476	18.72
1-12K C	FAUCET RISER 1/2" MIP W/ 1/4" FIP TAPPED - 3/8" OD TUBE FOR 20" LENGTH	026613042596	14.27
1-12KA C	FAUCET RISER SWEAT - 3/8" OD TUBE FOR 12" LENGTH	026613042510	9.16
1-12KA R	FAUCET RISER SWEAT - 3/8" OD TUBE FOR 12" LENGTH	026613042534	7.07
1-12KC C	FAUCET RISER W/ KC NOSEPIECE - 3/8" OD TUBE FOR 12" LENGTH	026613003795	12.45
1-12KC R	FAUCET RISER W/ KC NOSEPIECE - 3/8" OD TUBE FOR 12" LENGTH	026613042572	11.31
113-02-1.5-RX	PIPE NIPPLE - 1/8" MIP X 1-1/2"	026613145402	5.17
113-02-2.5-RX	PIPE NIPPLE - 1/8" MIP X 2-1/2"	026613145419	6.14
113-02-2-RX	PIPE NIPPLE - 1/8" MIP X 2"	026613145426	5.64
113-02-3.5-RX	PIPE NIPPLE - 1/8" MIP X 3-1/2"	026613145433	7.46
113-02-3-RX	PIPE NIPPLE - 1/8" MIP X 3"	026613145440	6.73
113-02-4-RX	PIPE NIPPLE - 1/8" MIP X 4"	026613145457	8.10
113-04-1.5-RX	PIPE NIPPLE - 1/4" MIP X 1-1/2"	026613145464	6.37

NOTE: Actual riser length to connect less 1/2"

For product availability please refer to "Wholesale 2013 Compliant Conversion Plan - Product Availability List" on ROA.

Product offering, availability & pricing are subject to change. Please contact BrassCraft Customer Service toll-free at 877-272-7755 for verification or ROA access.

Terms: BrassCraft terms and conditions can be found at [www.brasscraft.com](http://www.brasscraft.com)

Part Number	Description	Item UPC	List Price EA
113-04-2.5-RX	PIPE NIPPLE - 1/4" MIP X 2-1/2"	026613145471	8.10
113-04-2-RX	PIPE NIPPLE - 1/4" MIP X 2"	026613145488	7.07
113-04-3.5-RX	PIPE NIPPLE - 1/4" MIP X 3-1/2"	026613145495	10.20
113-04-3-RX	PIPE NIPPLE - 1/4" MIP X 3"	026613145501	8.97
113-04-4-RX	PIPE NIPPLE - 1/4" MIP X 4"	026613145518	11.14
113-04-6-RX	PIPE NIPPLE - 1/4" MIP X 6"	026613145525	16.04
113-06-1.5-CX	PIPE NIPPLE - 3/8" MIP X 1-1/2", CHROME	026613145532	9.04
113-06-1.5-RX	PIPE NIPPLE - 3/8" MIP X 1-1/2"	026613145549	6.38
113-06-2.5-CX	PIPE NIPPLE - 3/8" MIP X 2-1/2", CHROME	026613145556	11.56
113-06-2.5-RX	PIPE NIPPLE - 3/8" MIP X 2-1/2"	026613145563	8.23
113-06-2-CX	PIPE NIPPLE - 3/8" MIP X 2", CHROME	026613145570	9.98
113-06-2-RX	PIPE NIPPLE - 3/8" MIP X 2"	026613145587	7.07
113-06-3.5-CX	PIPE NIPPLE - 3/8" MIP X 3-1/2", CHROME	026613145594	14.79
113-06-3-CX	PIPE NIPPLE - 3/8" MIP X 3", CHROME	026613145600	13.13
113-06-3-RX	PIPE NIPPLE - 3/8" MIP X 3"	026613145617	9.22
113-06-4.5-CX	PIPE NIPPLE - 3/8" MIP X 4.5", CHROME	026613145662	18.15
113-06-4-CX	PIPE NIPPLE - 3/8" MIP X 4", CHROME	026613145679	16.26
113-06-4-RX	PIPE NIPPLE - 3/8" MIP X 4"	026613145686	11.65
113-06-4X BZH	SPF PIPE NIPPLE - 3/8" MIP X 4"	026613145624	24.34
113-06-4X NPH	SPF PIPE NIPPLE - 3/8" MIP X 4"	026613145631	24.34
113-06-4X NSH	SPF PIPE NIPPLE - 3/8" MIP X 4"	026613145648	24.34
113-06-4X PH	SPF PIPE NIPPLE 3/8" MIP X 4"	026613145655	24.34
113-06-5.5-CX	PIPE NIPPLE - 3/8" MIP X 5.5", CHROME	026613145693	22.35
113-06-5-CX	PIPE NIPPLE - 3/8" MIP X 5", CHROME	026613145709	20.10
113-06-6-CX	PIPE NIPPLE - 3/8" MIP X 6", CHROME	026613145730	24.18
113-06-6X BZH	SPF PIPE NIPPLE - 3/8" MIP X 6"	026613145716	32.45
113-08-1.5-CX	PIPE NIPPLE - 1/2" MIP X 1-1/2", CHROME	026613145747	9.92
113-08-1.5-RX	PIPE NIPPLE - 1/2" MIP X 1-1/2"	026613145754	8.35
113-08-2.5-CX	PIPE NIPPLE - 1/2" MIP X 2-1/2", CHROME	026613145761	13.87
113-08-2.5-RX	PIPE NIPPLE - 1/2" MIP X 2-1/2"	026613145778	9.98
113-08-2-CX	PIPE NIPPLE - 1/2" MIP X 2", CHROME	026613145785	11.86
113-08-2-RX	PIPE NIPPLE - 1/2" MIP X 2"	026613145792	8.49
113-08-3.5-CX	PIPE NIPPLE - 1/2" MIP X 3-1/2", CHROME	026613145808	18.19
113-08-3.5-RX	PIPE NIPPLE - 1/2" MIP X 3-1/2"	026613145815	12.95
113-08-3-CX	PIPE NIPPLE - 1/2" MIP X 3", CHROME	026613145822	15.92
113-08-3-RX	PIPE NIPPLE - 1/2" MIP X 3"	026613145839	11.41
113-08-4.5-CX	PIPE NIPPLE - 1/2" MIP X 4.5", CHROME	026613145884	23.31
113-08-4-CX	PIPE NIPPLE - 1/2" MIP X 4", CHROME	026613145891	20.53
113-08-4-RX	PIPE NIPPLE - 1/2" MIP X 4"	026613145907	14.69
113-08-4X BZH	SPF PIPE NIPPLE - 1/2" MIP X 4"	026613145846	24.34
113-08-4X NPH	SPF PIPE NIPPLE - 1/2" MIP X 4"	026613145853	24.34
113-08-4X NSH	SPF PIPE NIPPLE - 1/2" MIP X 4"	026613145860	24.34
113-08-4X PH	SPF PIPE NIPPLE - 1/2" MIP X 4"	026613145877	24.34
113-08-5.5-CX	PIPE NIPPLE - 1/2" MIP X 5-1/2", CHROME	026613145914	28.66
113-08-5.5-RX	PIPE NIPPLE - 1/2" MIP X 5-1/2"	026613145921	20.50
113-08-5-CX	PIPE NIPPLE - 1/2" MIP X 5", CHROME	026613145938	26.10

NOTE: Actual riser length to connect less 1/2"

For product availability please refer to "Wholesale 2013 Compliant Conversion Plan - Product Availability List" on ROA.

Product offering, availability & pricing are subject to change. Please contact BrassCraft Customer Service toll-free at 877-272-7755 for verification or ROA access.

Terms: BrassCraft terms and conditions can be found at [www.brasscraft.com](http://www.brasscraft.com)

Part Number	Description	Item UPC	List Price EA
113-08-5-RX	PIPE NIPPLE - 1/2" MIP X 5"	026613145945	18.64
113-08-6-CX	PIPE NIPPLE - 1/2" MIP X 6", CHROME	026613145976	31.11
113-08-6-RX	PIPE NIPPLE - 1/2" MIP X 6"	026613145983	22.19
113-08-6X BZH	SPF PIPE NIPPLE - 1/2" MIP X 6"	026613145952	32.45
113-08-6X NSH	SPF PIPE NIPPLE - 1/2" MIP X 6"	026613145969	32.45
113-12-1.5-RX	PIPE NIPPLE - 3/4" MIP X 1-1/2"	026613145990	11.05
113-12-2.5-RX	PIPE NIPPLE - 3/4" MIP X 2-1/2"	026613146003	14.96
113-12-2-CX	PIPE NIPPLE - 3/4" MIP X 2", CHROME	026613146010	17.73
113-12-2-RX	PIPE NIPPLE - 3/4" MIP X 2"	026613146027	12.66
113-12-3.5-RX	PIPE NIPPLE - 3/4" MIP X 3-1/2"	026613146034	19.85
113-12-3-RX	PIPE NIPPLE - 3/4" MIP X 3"	026613146041	17.13
113-12-4.5-CX	PIPE NIPPLE - 3/4" MIP X 4.5", CHROME	026613146058	35.46
113-12-4-RX	PIPE NIPPLE - 3/4" MIP X 4"	026613146065	22.14
113-12-5-RX	PIPE NIPPLE - 3/4" MIP X 5"	026613146072	28.66
113-12-6-RX	PIPE NIPPLE - 3/4" MIP X 6"	026613146089	34.26
113-16-2-RX	PIPE NIPPLE - 1" MIP X 2"	026613146096	20.75
113-16-3-RX	PIPE NIPPLE - 1" MIP X 3"	026613146102	27.38
113-16-4-RX	PIPE NIPPLE - 1" MIP X 4"	026613146119	34.06
113-16-6-RX	PIPE NIPPLE - 1" MIP X 6"	026613146126	48.44
1-15A C	FAUCET RISER - 3/8" OD TUBE FOR 15" LENGTH	026613042688	10.17
1-15DL C	TOILET RISER W/ GASKET NOSEPIECE - 3/8" OD TUBE FOR 15" LENGTH	026613042756	10.55
1-15KA R	FAUCET RISER SWEAT - 3/8" OD TUBE FOR 15" LENGTH	026613042770	10.52
1-15KC C	FAUCET RISER W/ KC NOSEPIECE - 3/8" OD TUBE FOR 15" LENGTH	026613042787	17.86
1-15KC R	FAUCET RISER W/ KC NOSEPIECE - 3/8" OD TUBE FOR 15" LENGTH	026613042794	16.62
11X C	BRASS FITTING - COMP X MIP UNION 3/8" OD TUBE X 3/8" MIP, CHROME	026613136172	6.32
11X R	BRASS FITTING - COMP X MIP UNION 3/8" OD TUBE X 3/8" MIP	026613145297	4.90
1-20A BZP	SPF FAUCET RISER - 3/8" OD TUBE FOR 20" LENGTH	026613124995	24.96
1-20A C	FAUCET RISER - 3/8" OD TUBE FOR 20" LENGTH	026613042992	12.43
1-20A NPP	SPF FAUCET RISER - 3/8" OD TUBE FOR 20" LENGTH	026613125657	24.96
1-20A NSP	SPF FAUCET RISER - 3/8" OD TUBE FOR 20" LENGTH	026613124438	24.96
1-20A PP	SPF FAUCET RISER - 3/8" OD TUBE FOR 20" LENGTH	026613124490	24.96
1-20A R	FAUCET RISER - 3/8" OD TUBE FOR 20" LENGTH	026613043036	10.07
1-20DE BZP	SPF TOILET RISER W/ HEAVY DUTY RUBBER NOSEPIECE - 3/8" OD TUBE FOR 20" LENGTH	026613124704	24.96
1-20DE C	TOILET RISER W/ HEAVY DUTY RUBBER NOSEPIECE - 3/8" OD TUBE FOR 20" LENGTH	026613043081	14.64
1-20DE NSP	SPF TOILET RISER W/ HEAVY DUTY RUBBER NOSEPIECE - 3/8" OD TUBE FOR 20" LENGTH	026613124698	24.96
1-20DL BZP	SPF TOILET RISER W/ GASKET NOSEPIECE - 3/8" OD TUBE FOR 20" LENGTH	026613124612	24.96
1-20DL C	TOILET RISER W/ GASKET NOSEPIECE - 3/8" OD TUBE FOR 20" LENGTH	026613043135	12.95
1-20DL NPP	SPF TOILET RISER W/ GASKET NOSEPIECE - 3/8" OD TUBE FOR 20" LENGTH	026613139388	24.96
1-20DL NSP	SPF TOILET RISER W/ GASKET NOSEPIECE - 3/8" OD TUBE FOR 20" LENGTH	026613124605	24.96
1-20DL PP	SPF TOILET RISER W/ GASKET NOSEPIECE - 3/8" OD TUBE FOR 20" LENGTH	026613124629	24.96
1-20K C	FAUCET RISER 1/2" MIP W/ 1/4" FIP TAPPED - 3/8" OD TUBE FOR 20" LENGTH	026613043265	19.66
1-20KA C	FAUCET RISER SWEAT - 3/8" OD TUBE FOR 20" LENGTH	026613043197	14.16
1-20KA R	FAUCET RISER SWEAT - 3/8" OD TUBE FOR 20" LENGTH	026613043203	11.14
1-20KC C	FAUCET RISER W/ KC NOSEPIECE - 3/8" OD TUBE FOR 20" LENGTH	026613003801	19.06
1-20KC R	FAUCET RISER W/ KC NOSEPIECE - 3/8" OD TUBE FOR 20" LENGTH	026613043241	17.66
12X C	BRASS FITTING - COMP X FIP UNION 3/8" OD TUBE X 1/2" FIP, CHROME	026613146171	7.24

NOTE: Actual riser length to connect less 1/2"

For product availability please refer to "Wholesale 2013 Compliant Conversion Plan - Product Availability List" on ROA.

Product offering, availability & pricing are subject to change. Please contact BrassCraft Customer Service toll-free at 877-272-7755 for verification or ROA access.

Terms: BrassCraft terms and conditions can be found at [www.brasscraft.com](http://www.brasscraft.com)

<b>Part Number</b>	<b>Description</b>	<b>Item UPC</b>	<b>List Price EA</b>
12X R	BRASS FITTING - COMP X FIP UNION 3/8" OD TUBE X 1/2" FIP	026613146188	5.88
1-30A BZP	SPF FAUCET RISER - 3/8" OD TUBE FOR 30" LENGTH	026613124452	31.20
1-30A C	FAUCET RISER - 3/8" OD TUBE FOR 30" LENGTH	026613043302	19.44
1-30A NSP	SPF FAUCET RISER - 3/8" OD TUBE FOR 30" LENGTH	026613124988	31.20
1-30A R	FAUCET RISER - 3/8" OD TUBE FOR 30" LENGTH	026613043340	14.75
1-30DL C	TOILET RISER W/ GASKET NOSEPIECE - 3/8" OD TUBE FOR 30" LENGTH	026613043371	18.74
1-30KC C	FAUCET RISER W/ KC NOSEPIECE - 3/8" OD TUBE FOR 30" LENGTH	026613043395	25.58
1-36A C	FAUCET RISER - 3/8" OD TUBE FOR 36" LENGTH	026613043425	22.92
1-36A R	FAUCET RISER - 3/8" OD TUBE FOR 36" LENGTH	026613043456	18.02
13X C	BRASS FITTING - COMP X MIP UNION 3/8" OD TUBE X 1/2" MIP, CHROME	026613136264	8.03
13X R	BRASS FITTING - COMP X MIP UNION 3/8" OD TUBE X 1/2" MIP	026613136257	6.66
14X C	BRASS FITTING - COMP X SWEAT UNION 3/8" OD TUBE X 1/2" NOM SWEAT, CHROME	026613146850	6.76
14X R	BRASS FITTING - COMP X SWEAT UNION 3/8" OD TUBE X 1/2" NOM SWEAT	026613140698	4.72
1-72 C	COPPER TUBING - DEAD SOFT - CHR M PLTS SLIP TUBE 3/8" OD X 72" LONG SLIP TUBE X 72"	026613041148	41.61
190A	DRAIN WASTE CONN. 1-1/4" OD X 1-1/4" MIP/1-1/4" FEM SWEAT	026613055596	13.11
190B	DRAIN WASTE CONN. 1-1/4" OD X 1-1/4" MIP/1-1/4" FEM SWEAT	026613055619	14.99
190C	DRAIN WASTE CONN. 1-1/4" OD X 1-1/4" MIP/1-1/4" FEM SWEAT	026613055633	17.28
191B	DRAIN WASTE CONN. 1-1/4" OD X 1-1/4" FIP DIE CAST	026613055671	15.57
191C	DRAIN WASTE CONN. 1-1/4" OD X 1-1/4" FIP BRASS	026613055695	18.52
192A	DRAIN WASTE CONN. 1-1/4" OD X 1-1/2" MIP/1-1/2" FEM SWEAT	026613055718	13.37
192B	DRAIN WASTE CONN. 1-1/4" OD X 1-1/2" MIP/1-1/2" FEM SWEAT	026613002422	15.40
192C	DRAIN WASTE CONN. 1-1/4" OD X 1-1/2" MIP/1-1/2" FEM SWEAT	026613055749	17.85
193A	DRAIN WASTE CONN. 1-1/4" OD X 1-1/2" FIP DIE CAST	026613055770	14.82
193B	DRAIN WASTE CONN. 1-1/4" OD X 1-1/2" FIP DIE CAST	026613002446	16.03
193C	DRAIN WASTE CONN. 1-1/4" OD X 1-1/2" FIP BRASS NUT	026613055794	18.60
196A	DRAIN WASTE CONN. 1-1/2" OD TUBE X 1-1/2" MIP/1-1/2" FEMALE SWEAT	026613055824	14.82
196B	DRAIN WASTE CONN. 1-1/2" OD X 1-1/2" MIP/1-1/2" FEMALE SWEAT	026613002439	16.03
196C	DRAIN WASTE CONN. 1-1/2" OD X 1-1/2" MIP/1-1/2" FEM SWEAT	026613055879	18.58
197A	DRAIN WASTE CONN. 1-1/2" OD X 1-1/2" FIP DIE CAST	026613055909	15.10
197B	DRAIN WASTE CONN. 1-1/2" OD X 1-1/2" FIP DIE CAST	026613002453	16.89
197C	DRAIN WASTE CONN. 1-1/2" OD X 1-1/2" FIP BRASS	026613055947	19.33
197D	DRAIN WASTE CONN. 1-1/2" OD X 1-1/2" FIP BRASS	026613055978	26.25
198A	DRAIN WASTE CONN. 1-1/4" OD X 1-1/2" FEM SWEAT DIE CAST	026613055992	15.34
198B	DRAIN WASTE CONN. 1-1/4" OD X 1-1/2" FEM SWEAT DIE CAST	026613056005	17.63
198D	DRAIN WASTE CONN. 1-1/4" OD X 1-1/2" FEM SWEAT BRASS NUT	026613056029	23.71
199A	DRAIN WASTE CONN. 1-1/2" OD X 1-1/2" FEM SWEAT DIE CAST	026613056036	16.63
199B	DRAIN WASTE CONN. 1-1/2" OD X 1-1/2" FEM SWEAT DIE CAST	026613056043	19.07
19X C	BRASS FITTING - COMP X SWEAT ELBOW 1/2" NOM SWEAT X 3/8" OD COMP, CHROME	026613146904	12.10
1AX	RISER PARTS - FAUCET - 3/8" NOSEPIECE (FOR TUBE SOLDER APPLICATION)	026613152820	1.24
1DE	RISER PARTS - FAUCET - CONE WASHER & TUBE INSERT FOR 3/8" OD TUBE HEAVY NOSEPIECE	026613041193	2.33
1DL	RISER PARTS - FOR FAUCET RISER TUBES - NOSEPIECE FOR 3/8" OD TUBE	026613003832	.97
200A	DRAIN WASTE CONN. 1-1/4" OD X 1-1/4" FEM SWEAT DIE CAST	026613056081	13.96
200B	DRAIN WASTE CONN. 1-1/4" OD X 1-1/4" FEM SWEAT DIE CAST	026613056098	15.57
200C	DRAIN WASTE CONN. 1-1/4" OD X 1-1/4" FEM SWEAT BRASS	026613056104	18.22
202A	DRAIN WASTE CONN. 1-1/4" OD X 1-1/4" MALE SWEAT DIE CAST	026613056128	15.94
202D	DRAIN WASTE CONN. 1-1/4" OD X 1-1/4" MALE SWEAT BRASS	026613056159	24.78

NOTE: Actual riser length to connect less 1/2"

For product availability please refer to "Wholesale 2013 Compliant Conversion Plan - Product Availability List" on ROA.  
 Product offering, availability & pricing are subject to change. Please contact BrassCraft Customer Service toll-free at 877-272-7755 for verification or ROA access.  
 Terms: BrassCraft terms and conditions can be found at [www.brasscraft.com](http://www.brasscraft.com)

Part Number	Description	Item UPC	List Price EA
203A	DRAIN WASTE CONN. 1-1/2" OD X 1-1/2" MALE SWEAT DIE CAST	026613056166	18.73
204C	DRAIN WASTE CONN. 1-1/4" OD X 1-1/2" MALE SWEAT BRASS	026613056227	21.87
24X R	BRASS FITTING - COMP X SWEAT UNION 1/4" OD TUBE X 1/2" NOM SWEAT	026613147697	4.77
3-12A C	FAUCET RISER - 1/2" OD TUBE FOR 12" LENGTH	026613043715	12.95
3-12A R	FAUCET RISER - 1/2" OD TUBE FOR 12" LENGTH	026613043753	10.01
3-12DE C	TOILET RISER W/ HEAVY DUTY RUBBER NOSEPIECE - 1/2" OD TUBE FOR 12" LENGTH	026613043791	18.87
3-12DL C	TOILET RISER W/ GASKET NOSEPIECE - 3/8" OD TUBE FOR 12" LENGTH	026613043821	15.47
3-12KC C	FAUCET RISER W/ KC NOSEPIECE - 1/2" OD TUBE FOR 12" LENGTH	026613043906	23.27
3-15A C	FAUCET RISER - 1/2" OD TUBE FOR 15" LENGTH	026613043951	15.32
3-20A C	FAUCET RISER - 1/2" OD TUBE FOR 20" LENGTH	026613044026	18.56
3-20A R	FAUCET RISER - 1/2" OD TUBE FOR 20" LENGTH	026613044057	15.00
3-20DL C	TOILET RISER W/ GASKET NOSEPIECE - 1/2" OD TUBE FOR 12" LENGTH	026613044088	21.13
3-30A C	FAUCET RISER - 1/2" OD TUBE FOR 30" LENGTH	026613044163	28.24
3-30A R	FAUCET RISER - 1/2" OD TUBE FOR 30" LENGTH	026613044187	21.71
3360 C	COPPER TUBING - DEAD SOFT - CHRM PLTD SLIP TUBE 3/8" OD X 36" LONG SLIP TUBE X 36"	026613041230	21.74
3362 C	COPPER TUBING - DEAD SOFT - CHRM PLTD SLIP TUBE 1/2" OD X 36" LONG SLIP TUBE X 36"	026613041254	23.97
3-36A C	FAUCET RISER - 1/2" OD TUBE FOR 36" LENGTH	026613044217	33.20
33X C	BRASS FITTING - COMP X MIP UNION 1/2" OD TUBE X 1/2" MIP, CHROME	026613147703	10.07
3-72 C10	COPPER TUBING - DEAD SOFT - CHRM PLTD SLIP TUBE 1/2" OD X 72" LONG SLIP TUBE X 72"	026613058368	46.04
3DL	RISER COMPONENT PARTS - FAUCET- NOSEPIECE FOR 1/2" OD TUBE	026613041278	1.24
462-6-4X	BRASS FITTING - 3/8 F FLR X 1/4 CMP STRT FTG	026613154381	4.63
462-6-6X	BRASS FITTING - 3/8 F FLR X 3/8 CMP STRT FTG	026613154398	4.65
462-8-6X	BRASS FITTING - 1/2 F FLR X 3/8 CMP STRT FTG	026613155494	5.43
56825X C	STRAIGHT FAUCET TAILPIECE 1/4" MIP X 1-1/2"	026613157535	13.74
56825X R	STRAIGHT FAUCET TAILPIECE 1/4" MIP X 1-1/2"	026613157542	9.13
60-10	COMPRESSION SLEEVE FOR 5/8" OD TUBE	026613005973	.91
60-4	COMPRESSION SLEEVE FOR 1/4" OD TUBE	026613005928	.09
60-6	COMPRESSION SLEEVE FOR 3/8" OD TUBE	026613005942	.54
60-7	COMPRESSION SLEEVE FOR 7/16" OD TUBE	026613005959	.60
60-8	COMPRESSION SLEEVE FOR 1/2" OD TUBE	026613005966	.72
60PT-10	PLASTIC COMPRESSION SLEEVE FOR 5/8" OD PLASTIC TUBE	026613006031	.98
60PT-4	PLASTIC COMPRESSION SLEEVE FOR 1/4" OD PLASTIC TUBE	026613005997	.27
60PT-5	PLASTIC COMPRESSION SLEEVE FOR 5/16" OD PLASTIC TUBE	026613006000	1.24
60PT-6	PLASTIC COMPRESSION SLEEVE FOR 3/8" OD PLASTIC TUBE	026613006017	.27
60PT-8	PLASTIC COMPRESSION SLEEVE FOR 1/2" OD PLASTIC TUBE	026613006024	.51
61-10	COMPRESSION NUT FOR 5/8" OD TUBE	026613006093	1.97
61-10 C	COMPRESSION NUT FOR 5/8" OD TUBE, CHROME	026613066660	3.67
61-4	COMPRESSION NUT FOR 1/4" OD TUBE	026613006055	.39
61-4 C	COMPRESSION NUT FOR 1/4" OD TUBE, CHROME	026613066783	1.29
61-6	COMPRESSION NUT FOR 3/8" OD TUBE	026613006079	.64
61-6 BZH	COMPRESSION NUTS FOR 3/8" OD TUBE	026613124148	12.48
61-6 C	COMPRESSION NUT FOR 3/8" OD TUBE, CHROME	026613066868	2.00
61-6 NPH	COMPRESSION NUTS FOR 3/8" OD TUBE	026613139494	12.48
61-6 NSH	COMPRESSION NUTS FOR 3/8" OD TUBE	026613124131	12.48
61-6 PH	COMPRESSION NUTS FOR 3/8" OD TUBE	026613124155	12.48
61-7	COMPRESSION NUT FOR 7/16" OD TUBE	026613066080	1.15

NOTE: Actual riser length to connect less 1/2"

For product availability please refer to "Wholesale 2013 Compliant Conversion Plan - Product Availability List" on ROA.

Product offering, availability & pricing are subject to change. Please contact BrassCraft Customer Service toll-free at 877-272-7755 for verification or ROA access.

Terms: BrassCraft terms and conditions can be found at [www.brasscraft.com](http://www.brasscraft.com)

Part Number	Description	Item UPC	List Price EA
61-7 C	COMPRESSION NUT FOR 7/16" OD TUBE, CHROME	026613066097	2.43
61-8	COMPRESSION NUT FOR 1/2" OD TUBE	026613006086	1.12
61-8 C	COMPRESSION NUT FOR 1/2" OD TUBE, CHROME	026613066936	2.88
62-4DTX	BRASS FITTING - COMP UNION 1/4" OD TUBE DRILLED THROUGH	026613147833	3.37
62-6DTX	BRASS FITTING - COMP UNION 3/8" OD TUBE DRILLED THROUGH	026613147871	5.11
63PT-10X	BRASS COMPRESSION INSERT FOR 5/8" OD PLASTIC TUBE	026613152851	2.61
63PT-4X	BRASS COMPRESSION INSERT FOR 1/4" OD PLASTIC TUBE	026613152868	.66
63PT-6X	BRASS COMPRESSION INSERT FOR 3/8" OD PLASTIC TUBE	026613152875	1.10
63PT-8X	BRASS COMPRESSION INSERT FOR 1/2" OD PLASTIC TUBE	026613147956	1.57
646	SHALLOW ESCUTCHEONS - 3/8" IP SHALLOW (.680 ID)	026613056883	1.19
646 BZ	SPF 3/8" IP SHALLOW ESCUTCHEON	026613124797	7.49
646 NP	SPF 3/8" IP SHALLOW ESCUTCHEON	026613136974	7.49
646 NS	SPF 3/8" IP SHALLOW ESCUTCHEON	026613124780	7.49
646 P	SPF 3/8" IP SHALLOW ESCUTCHEON	026613057095	7.49
647	SHALLOW ESCUTCHEONS - 1/2" IP SHALLOW (.840 ID)	026613056906	1.19
647 BZ	SPF 1/2" IP SHALLOW ESCUTCHEON	026613124810	7.49
647 NP	SPF 1/2" IP SHALLOW ESCUTCHEON	026613137247	7.49
647 NS	SPF 1/2" IP SHALLOW ESCUTCHEON	026613124803	7.49
647 P	SPF 1/2" IP SHALLOW ESCUTCHEON	026613057101	7.49
649	SHALLOW ESCUTCHEONS - 1/2" NOM (5/8" OD) SHALLOW (.625 ID)	026613056920	1.19
649 BZ	SPF 1/2" NOM SHALLOW ESCUTCHEON	026613124834	7.49
649 NP	SPF 1/2" NOM SHALLOW ESCUTCHEON	026613137254	7.49
649 NS	SPF 1/2" NOM SHALLOW ESCUTCHEON	026613124827	7.49
649 P	SPF 1/2" NOM SHALLOW ESCUTCHEON	026613057125	7.49
650 BZ	SPF 11/16" OD (3/8" IP) BELL ESCUTCHEON	026613124872	12.48
650 C	BELL ESCUTCHEONS - 3/8" IP (11/16" OD) BELL (.687 ID)	026613081786	4.01
650 NP	SPF 11/16" OD (3/8" IP) BELL ESCUTCHEON	026613137261	12.48
650 NS	SPF 11/16" OD (3/8" IP) BELL ESCUTCHEON	026613124865	12.48
650 P	SPF 11/16" OD (3/8" IP) BELL ESCUTCHEON	026613057132	12.48
651 BZ	SPF 1/2" IP BELL ESCUTCHEON	026613124896	12.48
651 C	BELL ESCUTCHEON - 1/2" IP BELL (.844 ID)	026613056944	4.53
651 NS	SPF 1/2" IP BELL ESCUTCHEON	026613124889	12.48
65-10-6X	BRASS FITTING - COMP REDUCING ELBOW 5/8" OD TUBE X 3/8" OD TUBE	026613148045	10.28
65-10-6X C	BRASS FITTING - COMP REDUCING ELBOW 5/8" OD TUBE X 3/8" OD TUBE, CHROME	026613148052	14.70
653 C	SHALLOW ESCUTCHEON - 3/8" NOM (1/2" OD) SHALLOW (.500 ID), CHROME	026613056968	1.19
654 BZ	SPF 1/2" NOM BELL ESCUTCHEON	026613124919	12.48
654 C	BELL ESCUTCHEONS - 1/2" NOM (5/8" OD) BELL (.630 ID), CHROME	026613056975	4.01
654 NS	SPF 1/2" IP BELL ESCUTCHEON	026613124902	12.48
657 C	BELL ESCUTCHEONS - 9/16" OD BELL (.562 ID), CHROME	026613056982	4.53
661BX BZH	SPF HIGH BOX ESCUTCHEONS - 1-1/4" OD X 1-1/4" ID X 3" OD X 1-3/4" HEIGHT	026613124285	18.72
661BX NSH	SPF HIGH BOX ESCUTCHEONS - 1-1/4" OD X 1-1/4" ID X 3" OD X 1-3/4" HEIGHT	026613124278	18.72
668BX BZH	SPF HIGH BOX ESCUTCHEONS - 1-1/2" OD X 1-1/2" ID X 3" OD X 1-3/4" HEIGHT	026613124254	18.72
668BX NSH	SPF HIGH BOX ESCUTCHEONS - 1-1/2" OD X 1-1/2" ID X 3" OD X 1-3/4" HEIGHT	026613124247	18.72
68-8DTX	BRASS FITTING - COMP X MIP UNION 1/2" OD TUBE X 1/2" MIP DRILLED THROUGH	026613148649	7.49
69-10-8X	BRASS FITTING - COMP X MIP ELBOW 5/8" OD TUBE X 1/2" MIP	026613136516	10.80
69-6-6X	BRASS FITTING - COMP X MIP ELBOW 3/8" OD TUBE X 3/8" MIP	026613136325	2.19

NOTE: Actual riser length to connect less 1/2"

For product availability please refer to "Wholesale 2013 Compliant Conversion Plan - Product Availability List" on ROA.

Product offering, availability & pricing are subject to change. Please contact BrassCraft Customer Service toll-free at 877-272-7755 for verification or ROA access.

Terms: BrassCraft terms and conditions can be found at [www.brasscraft.com](http://www.brasscraft.com)

Part Number	Description	Item UPC	List Price EA
69-6-6X C	BRASS FITTING - COMP X MIP ELBOW 3/8" OD TUBE X 3/8" MIP, CHROME	026613148700	9.93
69-6-8X	BRASS FITTING - COMP X MIP ELBOW 3/8" OD TUBE X 1/2" MIP	026613136479	2.91
69-6-8X C	BRASS FITTING - COMP X MIP ELBOW 3/8" OD TUBE X 1/2" MIP, CHROME	026613148717	11.80
69-8-6X	BRASS FITTING - COMP X MIP ELBOW 1/2" OD TUBE X 3/8" PIPE THREAD	026613136493	2.79
69-8-6X C	BRASS FITTING - COMP X MIP ELBOW 1/2" OD TUBE X 3/8" PIPE THREAD, CHROME	026613148731	14.36
69-8-8X	BRASS FITTING - COMP X MIP ELBOW 1/2" OD TUBE X 1/2" MIP	026613148748	14.96
70-6-6X	BRASS FITTING - COMP X FIP ELBOW 3/8" OD TUBE X 3/8" FIP	026613148793	7.98
70-6-8X	BRASS FITTING - COMP X FIP ELBOW 3/8" OD TUBE X 1/2" FIP	026613148809	9.43
70-6-8X C	BRASS FITTING - COMP X FIP ELBOW 3/8" OD TUBE X 1/2" FIP, CHROME	026613148816	11.14
8489 BZH	SPF COVER TUBE - 1/2" NOM TUBE X 3-1/2" LENGTH	026613123738	18.72
8489 C	CHRM PLTD BRS COVER TUBES - 3-1/2" LENGTH FOR 1/2" NOM COPPER TUBE USE 650 C BELL ESCUT.	026613056999	7.30
8489 NPH	SPF COVER TUBE - 1/2" NOM TUBE X 3-1/2" LENGTH	026613137506	18.72
8489 NSH	SPF COVER TUBE - 1/2" NOM TUBE X 3-1/2" LENGTH	026613123745	18.72
8489 PH	SPF COVER TUBE - 1/2" NOM TUBE X 3-1/2" LENGTH	026613123752	18.72
8491 C	CHRM PLTD BRS COVER TUBES - 36" LENGTH FOR 1/2" NOM COPPER TUBE USE 650 C BELL ESCUT.	026613057019	47.15
90	DRAIN WASTE CONN. - COMP RING FOR 1-1/4" OD TUBE	026613056241	2.67
90A	DRAIN WASTE CONN. - COMP SLIP NUTS 1-1/4" OD TUBE X 1-1/4" FIP NUTS	026613056258	2.00
90B	DRAIN WASTE CONN. - COMP SLIP NUTS 1-1/4" OD TUBE X 1-1/4" FIP NUTS	026613056272	2.43
90BR	DRAIN WASTE CONN. 1-1/4" OD TB X 1-1/4" FIP SLIP NUT	026613056289	4.04
90C	DRAIN WASTE CONN. - COMP SLIP NUTS 1-1/4" OD TUBE X 1-1/4" FIP BRASS NUTS	026613056296	4.72
90D	DRAIN WASTE CONN. - SLIP-NUT 1-1/4" OD TUBE X 1-1/4" FIP NUT	026613056302	6.03
90P	DRAIN WASTE CONN. - COMP RING FOR 1-1/4" OD TUBE	026613056333	.66
90R	DRAIN WASTE CONN. - COMP RING FOR 1-1/4" OD TUBE	026613056340	.66
94D	DRAIN WASTE CONN. - COMP SLIP NUTS 1-3/8" OD TUBE X 1-1/2" FIP CHROME PLTD BRASS	026613056418	8.05
96	DRAIN WASTE CONN. - COMP RING FOR 1-1/2" OD TUBE	026613056432	2.85
96A	DRAIN WASTE CONN. - COMP SLIP NUTS 1-1/2" OD TUBE X 1-1/2" FIP DIE CAST	026613056449	2.10
96B	DRAIN WASTE CONN. - COMP SLIP NUTS 1-1/2" OD TUBE X 1-1/2" FIP DIE CAST, CHROME	026613056470	2.67
96BR	DRAIN WASTE CONN. - COMP SLIP NUTS & WASHERS 1-1/2" OD TUBE X 1-1/2" FIP DIE CAST CHROME	026613056487	4.58
96C	DRAIN WASTE CONN. - COMP SLIP-NUT 1-1/2" OD TUBE X 1-1/2" FIP	026613056494	4.84
96D	DRAIN WASTE CONN. - SLIP-NUT 1-1/2" OD TUBE X 1-1/2" FIP	026613056517	8.23
96L	DRAIN WASTE CONN. - COMP RING FOR 1-1/2" OD TUBE	026613056531	3.38
96P	DRAIN WASTE CONN. - COMP RING FOR 1-1/2" OD TUBE	026613056548	.66
96R	DRAIN WASTE CONN. - COMP RING FOR 1-1/2" OD TUBE	026613056555	.66
97B	DRAIN WASTE CONN. - COMP SLIP NUTS 1-1/4" OD TUBE X 1-1/2" FIP DIE CAST, CHROME	026613056586	3.52
B0-120IM P	POLY BRD ICEMKR/HUM/WTR FILTER CONN. - 1/4" COMP X 1/4" COMP (BAG) X 120"	026613141992	47.03
B0-12IM F	POLY BRD ICEMKR/HUM/WTR FILTER CONN. - 1/4" COMP X 1/4" COMP X 12"	026613104836	8.99
B0-60IM F	POLY BRD ICEMKR/HUM/WTR FILTER CONN.- 1/4" COMP X 1/4" COMP X 60"	026613142531	25.03
B0-60IM P	POLY BRD ICEMKR/HUM/WTR FILTER CONN.- 1/4" COMP X 1/4" COMP (BAG) X 60"	026613142005	26.35
B0-72IM F	POLY BRD ICEMKR/HUM/WTR FILTER CONN. - 1/4" COMP X 1/4" COMP X 72"	026613142616	30.12
B0-72IM P	POLY BRD ICEMKR/HUM/WTR FILTER CONN.- 1/4" COMP X 1/4" COMP (BAG) X 72"	026613142012	31.71
B0-84IM P	POLY BRD ICEMKR/HUM/WTR FILTER CONN. - 1/4" COMP X 1/4" COMP (BAG) X 84"	026613142029	33.78
B0-96IM P	POLY BRD ICEMKR/HUM/WTR FILTER CONN. - 1/4" COMP X 1/4" COMP (BAG) X 96"	026613142036	38.73
B1-120DW F	POLY BRD DISHWASHER CONN. - 3/8" COMP X 3/8" COMP X 120"	026613134314	51.26
B1-12A F	POLY BRD FAUCET CONN. - 3/8" COMP X 1/2" FIP X 12"	026613966168	12.04
B1-12DL F	POLY BRD TOILET CONN. - 3/8" COMP X 7/8" BALLCOCK X 12"	026613966311	14.20
B1-12DLM F	POLY BRD TOILET CONN. - 3/8" COMP X 7/8" BALLCOCK W/ METAL NUT X 12"	026613104201	19.36

NOTE: Actual riser length to connect less 1/2"

For product availability please refer to "Wholesale 2013 Compliant Conversion Plan - Product Availability List" on ROA.

Product offering, availability & pricing are subject to change. Please contact BrassCraft Customer Service toll-free at 877-272-7755 for verification or ROA access.

Terms: BrassCraft terms and conditions can be found at [www.brasscraft.com](http://www.brasscraft.com)

Part Number	Description	Item UPC	List Price EA
B1-12DW F	POLY BRD DISHWASHER CONN. - 3/8" COMP X 3/8" COMP X 12"	026613104218	12.62
B1-12KC F	POLY BRD FAUCET CONN. W/ KC NOSEPIECE -3/8" COMP X 3/8" COMP X 12"	026613966229	13.47
B1-16A F	POLY BRD FAUCET CONN. - 3/8" COMP X 1/2" FIP X 16"	026613966151	12.98
B1-16DL F	POLY BRD TOILET CONN. - 3/8" COMP X 7/8" BALLCOCK X 16"	026613966342	15.06
B1-16DW F	POLY BRD DISHWASHER CONN. - 3/8" COMP X 3/8" COMP X 16"	026613104263	13.45
B1-16KC F	POLY BRD FAUCET CONN. W/ KC NOSEPIECE -3/8" COMP X 3/8" COMP X 16"	026613105017	14.09
B1-20A F	POLY BRD FAUCET CONN. - 3/8" COMP X 1/2" FIP X 20"	026613966199	13.32
B1-20DL F	POLY BRD TOILET CONN. - 3/8" COMP X 7/8" BALLCOCK X 20"	026613966373	15.10
B1-20DW F	POLY BRD DISHWASHER CONN. - 3/8" COMP X 3/8" COMP X 20"	026613104270	13.80
B1-20KC F	POLY BRD FAUCET CONN. W/ KC NOSEPIECE -3/8" COMP X 3/8" COMP X 20"	026613966243	14.63
B1-24A F	POLY BRD FAUCET CONN. - 3/8" COMP X 1/2" FIP X 24"	026613118635	15.26
B1-30A F	POLY BRD FAUCET CONN. - 3/8" COMP X 1/2" FIP X 30"	026613966922	16.01
B1-36A F	POLY BRD FAUCET CONN. - 3/8" COMP X 1/2" FIP X 36"	026613966946	19.72
B1-36DW F	POLY BRD DISHWASHER CONN. - 3/8" COMP X 3/8" COMP X 36"	026613104409	20.64
B1-48A F	POLY BRD FAUCET CONN. - 3/8" COMP X 1/2" FIP X 48"	026613104232	22.30
B1-48DW F	POLY BRD DISHWASHER CONN. - 3/8" COMP X 3/8" COMP X 48"	026613104416	25.62
B1-48DW1 P	POLY BRD DISH CONN. - 3/8" COMP W/ 3/4" GRDN HOSE ELBOW (BAG, CRIMPED) X 48"	026613141152	28.84
B1-48DW12 F	POLY BRD DISH CONN. - 3/8" COMP W/ 3/8" COMP W/ 3/4" GRDN HOSE ELBOW X 48"	026613142456	21.21
B1-48DW12 P	POLY BRD DISH CONN. - 3/8" COMP W/ 3/8" COMP W/ 3/4" GRDN HOSE ELBOW (BAG) X 48"	026613141756	21.21
B1-48DW6 F	POLY BRD DISH CONN. - 3/8" COMP X 3/8" COMP W/ 3/8" MIP ELBOW X 48"	026613142425	27.21
B1-48DW6 P	POLY BRD DISH CONN. - 3/8" COMP X 3/8" COMP W/ 3/8" MIP ELBOW (BAG) X 48"	026613141787	27.21
B1-60A F	POLY BRD FAUCET CONN. - 3/8" COMP X 1/2" FIP X 60"	026613104492	26.00
B1-60DW F	POLY BRD DISHWASHER CONN. - 3/8" COMP X 3/8" COMP X 60"	026613104423	29.81
B1-60DW1 P	POLY BRD DISH CONN. - 3/8" COMP W/ 3/4" GRDN HOSE ELBOW (BAG, CRIMPED) X 60"	026613141169	33.51
B1-60DW12 F	POLY BRD DISH CONN. - 3/8" COMP W/ 3/8" COMP W/ 3/4" GRDN HOSE ELBOW X 60"	026613142463	31.61
B1-60DW12 P	POLY BRD DISH CONN. - 3/8" COMP W/ 3/8" COMP W/ 3/4" GRDN HOSE ELBOW (BAG) X 60"	026613141763	31.61
B1-60DW6 F	POLY BRD DISH CONN. - 3/8" COMP X 3/8" COMP W/ 3/8" MIP ELBOW X 60"	026613142432	31.61
B1-60DW6 P	POLY BRD DISH CONN. - 3/8" COMP X 3/8" COMP W/ 3/8" MIP ELBOW (BAG) X 60"	026613141794	31.61
B1-6DL F	POLY BRD TOILET CONN. - 3/8" COMP X 7/8" BALLCOCK X 6"	026613966762	11.62
B1-72DW F	POLY BRD DISH CONN. - 3/8" COMP X 3/8" COMP X 72"	026613104430	34.02
B1-72DW1 P	POLY BRD DISH CONN. - 3/8" COMP W/ 3/4" GRDN HOSE ELBOW (BAG, CRIMPED) X 72"	026613141176	37.85
B1-72DW12 F	POLY BRD DISH CONN. - 3/8" COMP W/ 3/8" COMP W/ 3/4" GRDN HOSE ELBOW X 72"	026613142470	35.71
B1-72DW12 P	POLY BRD DISH CONN. - 3/8" COMP W/ 3/8" COMP W/ 3/4" GRDN HOSE ELBOW (BAG) X 72"	026613141770	35.71
B1-72DW6 F	POLY BRD DISH CONN. - 3/8" COMP X 3/8" COMP W/ 3/8" MIP ELBOW X 72"	026613142449	35.71
B1-72DW6 P	POLY BRD DISH CONN. - 3/8" COMP X 3/8" COMP W/ 3/8" MIP ELBOW (BAG) X 72"	026613141800	35.71
B1-9DL F	POLYBRD TOILET CONN. - 3/8" COMP X 7/8" BALLCOCK X 9"	026613966748	13.03
B2-12A F	POLY BRD FAUCET CONN. - 7/16" COMP X 1/2" FIP X 12"	026613965987	12.23
B2-12DL F	POLY BRD TOILET CONN. - 7/16" COMP X 7/8" BALLCOCK X 12"	026613966786	15.63
B2-20A F	POLY BRD FAUCET CONN. - 7/16" COMP X 1/2" FIP X 20"	026613966007	14.09
B2-20DL F	POLY BRD TOILET CONN. - 7/16" COMP X 7/8" BALLCOCK X 20"	026613966571	16.23
B3-12A F	POLY BRD FAUCET CONN. - 1/2" COMP X 1/2" FIP 12"	026613965901	12.49
B3-12DL F	POLY BRD TOILET CONN. - 1/2" COMP X 7/8" BALLCOCK X 12"	026613966823	15.10
B3-12DLM F	POLY BRD TOILET CONN. - 1/2" COMP X 7/8" BALLCOCK W/ METAL NUT X 12"	026613127842	15.10
B3-16A F	POLY BRD FAUCET CONN. - 1/2" COMP X 1/2" FIP X 16"	026613965840	13.06
B3-20A F	POLY BRD FAUCET CONN. - 1/2" COMP X 1/2" FIP X 20"	026613965918	14.39
B3-20DL F	POLY BRD TOILET CONN. - 1/2" COMP X 7/8" BALLCOCK X 20"	026613966847	16.07

NOTE: Actual riser length to connect less 1/2"

For product availability please refer to "Wholesale 2013 Compliant Conversion Plan - Product Availability List" on ROA.

Product offering, availability & pricing are subject to change. Please contact BrassCraft Customer Service toll-free at 877-272-7755 for verification or ROA access.

Terms: BrassCraft terms and conditions can be found at [www.brasscraft.com](http://www.brasscraft.com)

Part Number	Description	Item UPC	List Price EA
B3-30A F	POLY BRD FAUCET CONN. - 1/2" COMP X 1/2" FIP X 30"	026613966939	17.10
B3-48DW F	POLY BRD DISHWASHER CONN. - 1/2" COMP X 1/2" FIP X 48"	026613966960	25.03
B3-9DL F	POLY BRD TOILET CONN. - 1/2" COMP X 7/8" BALLCOCK X 9"	026613966809	13.54
B8-12A F	POLY BRD FAUCET CONN. - 1/2" FIP X 1/2" FIP X 12"	026613966052	12.98
B8-12DL F	POLY BRD TOILET CONN. - 1/2" FIP X 7/8" BALLCOCK X 12"	026613966892	15.37
B8-16A F	POLY BRD FAUCET CONN. - 1/2" FIP X 1/2" FIP X 16"	026613966069	13.97
B8-16DL F	POLY BRD TOILET CONN. - 1/2" FIP X 7/8" BALLCOCK X 16"	026613966915	16.62
B8-20A F	POLY BRD FAUCET CONN. - 1/2" FIP X 1/2" FIP X 20"	026613966076	15.39
B8-20DL F	POLY BRD TOILET CONN. - 1/2" FIP X 7/8" BALLCOCK X 20"	026613966403	17.67
B8-24A F	POLY BRD FAUCET CONN. - 1/2" FIP X 1/2" FIP X 24"	026613104317	16.53
B8-30A F	POLY BRD FAUCET CONN. - 1/2" FIP X 1/2" FIP X 30"	026613966977	17.10
B8-36A F	POLY BRD FAUCET CONN. - 1/2" FIP X 1/2" FIP X 36"	026613966984	20.01
B8-48DW F	POLY BRD DISHWASHER CONN. - 1/2" FIP X 1/2" FIP X 48"	026613104447	26.42
B8-48DW6 P	POLY BRD DISHWASHER CONN. - 1/2" FIP X 3/8" COMP W/ 3/8" MIP ELBOW (BAG) X 48"	026613141817	26.89
B8-60DW F	POLY BRD DISHWASHER CONN. - 1/2" FIP X 1/2" FIP X 60"	026613966953	28.06
B8-60DW6 P	POLY BRD DISHWASHER CONN. - 1/2" FIP X 3/8" COMP W/ 3/8" MIP ELBOW (BAG) X 60"	026613141824	31.06
B8-9DL F	POLY BRD TOILET CONN. - 1/2" FIP X 7/8" BALLCOCK X 9"	026613966878	14.79
BC100	POLY BRD/VINYL FLX CONN. DISPLAY RACK 18" WIDE X 12" DEEP	026613044378	53.79
BC7100 BZ	SPF P-TRPS W/ BOX ESCUT. - 1-1/4" OD BRS J-BEND W/ 17 GA. WALL BEND & CAST BRS NUTS	026613123776	87.35
BC7100 NP	SPF P-TRPSS W/ BOX ESCUT. - 1-1/4" OD BRS J-BEND W/ 17 GA. WALL BEND & CAST BRS NUTS	026613137278	87.35
BC7100 NS	SPF P-TRPS W/ BOX ESCUT. - 1-1/4" OD BRS J-BEND W/ 17 GA. WALL BEND & CAST BRS NUTS	026613123783	87.35
BC7100 P	SPF P-TRPS W/ BOX ESCUT. - 1-1/4" OD BRS J-BEND W/ 17 GA. WALL BEND & CAST BRS NUTS	026613123790	87.35
BC7100F BZ	SPF P-TRPS - 1-1/4" OD BRS J-BEND W/ 17 GA. WALL BEND & CAST BRS NUTS	026613123639	74.87
BC7100F NS	SPF P-TRPS - 1-1/4" OD BRS J-BEND W/ 17 GA. WALL BEND & CAST BRS NUTS	026613123646	74.87
BC7111 BZ	SPF P-TRPS W/ BOX ESCUT. - 1-1/2" OD BRS J-BEND W/ 17 GA. WALL BEND & CAST BRS NUTS	026613123660	99.82
BC7111 NP	SPF P-TRPS W/ BOX ESCUT. - 1-1/2" OD BRS J-BEND W/ 17 GA. WALL BEND & CAST BRS NUTS	026613137285	99.83
BC7111 NS	SPF P-TRPS W/ BOX ESCUT. - 1-1/2" OD BRS J-BEND W/ 17 GA. WALL BEND & CAST BRS NUTS	026613123677	99.82
BC7111 P	SPF P-TRPS W/ BOX ESCUT. - 1-1/2" OD BRS J-BEND W/ 17 GA. WALL BEND & CAST BRS NUTS	026613123684	99.82
BC7111F BZ	SPF P-TRPS - 1-1/2" OD BRASS J-BEND W/ 17 GA. WALL BEND & CAST BRASS NUTS	026613123615	81.11
BC7111F NS	SPF P-TRPS - 1-1/2" OD BRASS J-BEND W/ 17 GA. WALL BEND & CAST BRASS NUTS	026613123608	81.11
BC7120 BZ	SPF SINK HOLE COVERS - 2" DIM. FITS STANDARD SINKS. INCLUDES BOLT & WING NUT	026613122113	9.36
BC7120 NS	SPF SINK HOLE COVERS - 2" DIM. FITS STANDARD SINKS. INCLUDES BOLT & WING NUT	026613122793	9.36
BC7120 SS	SPF SINK HOLE COVERS - 2" DIM. FITS STANDARD SINKS. INCLUDES BOLT & WING NUT	026613122120	9.36
BC7120 W	SPF SINK HOLE COVERS - 2" DM. FITS STANDARD SINKS. INCLUDES BOLT & WING NUT	026613122137	9.36
BC7125 BZ	SPF BRS GRBG DISP FLNG FITS - IN-SINK-ERATOR, KITCHENAID, EMERSON, KENMORE & GRAINGER	026613122182	24.96
BC7125 NS	SPF BRS GRBG DISP FLNG - FITS IN-SINK-ERATOR, KITCHENAID, EMERSON, KENMORE & GRAINGER	026613122199	24.96
BC7125 SS	SPF BRS GRBG DISP FLNG - FITS IN-SINK-ERATOR, KITCHENAID, EMERSON, KENMORE & GRAINGER	026613122205	24.96
BC7125 W	SPF BRS GRBG DISP FLNG - FITS IN-SINK-ERATOR, KITCHENAID, EMERSON, KENMORE & GRAINGER	026613122212	24.96
BC7130 BZ	SPF BRS GARBAGE DISPOSAL STOPPER - FITS BC7125	026613122359	18.72
BC7130 NS	SPF BRS GARBAGE DISPOSAL STOPPER - FITS BC7125	026613122366	18.72
BC7130 SS	SPF BRS GARBAGE DISPOSAL STOPPER - FITS BC7125	026613122373	18.72
BC7130 W	SPF BRS GARBAGE DISPOSAL STOPPER - FITS BC7125	026613122380	18.72
BC7131 BZ	SPF GRBG DISP FLNG / STP KIT - FITS IN-SINK-ERATOR, KITCHENAID, EMERSON, KENMORE & GRAINGER	026613137643	43.67
BC7131 NS	SPF GRBG DISP FLNG / STP KIT - FITS IN-SINK-ERATOR, KITCHENAID, EMERSON, KENMORE & GRAINGER	026613137674	43.67
BC7131 SS	SPF GRBG DISP FLNG / STP KIT - FITS IN-SINK-ERATOR, KITCHENAID, EMERSON, KENMORE & GRAINGER	026613137650	43.67
BC7131 W	SPF GRBG DISP FLNG / STP KIT - FITS IN-SINK-ERATOR, KITCHENAID, EMERSON, KENMORE & GRAINGER	026613137667	43.67

NOTE: Actual riser length to connect less 1/2"

For product availability please refer to "Wholesale 2013 Compliant Conversion Plan - Product Availability List" on ROA.

Product offering, availability & pricing are subject to change. Please contact BrassCraft Customer Service toll-free at 877-272-7755 for verification or ROA access.

Terms: BrassCraft terms and conditions can be found at [www.brasscraft.com](http://www.brasscraft.com)

Part Number	Description	Item UPC	List Price EA
BC7145 BZ	SPF BRS LRG BSKT STRNR - 3-1/2" WING NUT LOCKING STYLE BASKET W/ NUTS & WASHERS	026613122588	74.87
BC7145 NS	SPF BRS LRG BSKT STRNR - 3-1/2" WING NUT LOCKING STYLE BASKET W/ NUTS & WASHERS	026613122595	74.87
BC7145 SS	SPF BRS LRG BSKT STRNR - 3-1/2" WING NUT LOCKING STYLE BASKET W/ NUTS & WASHERS	026613122601	74.87
BC7145 W	SPF BRS LRG BSKT STRNR - 3-1/2" WING NUT LOCKING STYLE BASKET W/ NUTS & WASHERS	026613122618	74.87
BC7150 BZ	SPF BRS LRG BSKT STRNR - 3-1/2" POST STYLE BASKET W/ NUTS & WASHERS	026613122656	56.15
BC7150 NS	SPF BRS LRG BSKT STRNR - 3-1/2" POST STYLE BASKET W/ NUTS & WASHERS	026613122663	56.15
BC7150 SS	SPF BRS LRG BSKT STRNR - 3-1/2" POST STYLE BASKET W/ NUTS & WASHERS	026613122670	56.15
BC7150 W	SPF BRS LRG BSKT STRNR - 3-1/2" POST STYLE BASKET W/ NUTS & WASHERS	026613122687	56.15
BC7215 BZ	SPF TUB DRAIN GRILLS - GERBER-TYPE STRAINER, INCLUDES SCREWS	026613123387	18.72
BC7215 NS	SPF TUB DRAIN GRILLS - GERBER-TYPE STRAINER, INCLUDES SCREWS	026613123394	18.72
BC7220 BZ	SPF TRIP-LEVER FOR DRAIN CONTROL W/ SCREWS	026613123417	37.43
BC7220 NS	SPF TRIP-LEVER FOR DRAIN CONTROL W/ SCREWS	026613123424	37.43
BC7221 BZ	SPF ONE HOLE FACEPLATE W/ BRACKET AND SCREW	026613137360	12.48
BC7221 NS	SPF ONE HOLE FACEPLATE W/ BRACKET AND SCREW	026613137353	12.48
BC7222 BZ	SPF TWO HOLE FACEPLATE W/ SCREWS	026613137636	12.48
BC7222 NS	SPF TWO HOLE FACEPLATE W/ SCREWS	026613137629	12.48
BC7223 BZ	SPF LIFT & TURN DRN KIT - W/ 1 HOLE FACEPLATE, BRACKET AND SCREW, 1-1/2" IPS CRS THRD	026613137339	31.20
BC7223 NP	SPF LIFT & TURN DRN KIT - W/ 1 HOLE FACEPLATE, BRACKET AND SCREW, 1-1/2" IPS CRS THRD	026613137346	31.20
BC7223 NS	SPF LIFT & TURN DRN KIT - W/ 1 HOLE FACEPLATE, BRACKET AND SCREW, 1-1/2" IPS CRS THRD	026613137322	31.20
BC7223 P	SPF LIFT & TURN DRN KIT - W/ 1 HOLE FACEPLATE, BRACKET AND SCREW, 1-1/2" IPS CRS THRD	026613137537	31.20
BC7225 BZ	SPF SHOWER STRAINERS - 4-1/4" OD (2-7/8" PRONG TO PRONG.)	026613123448	24.96
BC7225 NS	SPF SHOWER STRAINERS - 4-1/4" OD (2-7/8" PRONG TO PRONG.)	026613123455	24.96
BC7226 BZ	SPF SHOWER STRAINERS - 4" DIM., 3-3/8" CENTER TO CENTER SCREW HOLES	026613137544	18.72
BC7226 NS	SPF SHOWER STRAINERS - 4" DIM., 3-3/8" CENTER TO CENTER SCREW HOLES	026613137551	18.72
BC9441	DISHWASHER AIR GAP 5/8" OD INLET X 7/8" OD	026613012360	19.04
BC9441 BZ	SPF DISHWASHER AIR GAPS - 5/8" OD TUBE X 7/8" OD TUBE PLASTIC BODY W/ BRASS CAP	026613123837	12.48
BC9441 NS	SPF DISHWASHER AIR GAPS - 5/8" OD TUBE X 7/8" OD TUBE PLASTIC BODY W/ BRASS CAP	026613123844	12.48
BC9441 SS	SPF DISHWASHER AIR GAPS - 5/8" OD TUBE X 7/8" OD TUBE PLASTIC BODY W/ BRASS CAP	026613123851	12.48
BC9441 W	SPF DISHWASHER AIR GAPS - 5/8" OD TUBE X 7/8" OD TUBE PLASTIC BODY W/ BRASS CAP	026613123868	12.48
BC96X	SELF-PIERCING NEEDLE VLV KIT W/ TAP VLV FITTING , CLAMP & 1/4" POLY. TUBING	026613148977	43.42
BC97X	SELF-PIERCING NEEDLE VLV KIT W/ TAP VLV, FITTING , CLAMP, & 1/4" COPPER TUBING	026613148984	90.23
BCT050 BZH	SPF FLUSH LEVERS - FOR KOHLER HIGHLINE, PORTRAIT AND WELLWORTH TOILETS	026613123950	37.43
BCT050 NSH	SPF FLUSH LEVERS - FOR KOHLER HIGHLINE, PORTRAIT AND WELLWORTH TOILETS	026613123967	37.43
BCT060 BZH	SPF FLUSH LEVERS - FITS MOST TOILETS	026613137520	12.48
BCT060 NSH	SPF FLUSH LEVERS - FITS MOST TOILETS	026613137513	12.48
BF1-12A F	POLY BRD FAUCET CONN. - 3/8" FLARE X 1/2" FIP X 12"	026613966649	12.42
BF1-12DL F	POLY BRD TOILET CONN. - 3/8" FLARE X 7/8" BALLCOCK X 12"	026613966427	14.70
BF1-12DLM F	POLY BRD TOILET CONN. - 3/8" FLARE X 7/8" BALLCOCK W/ METAL NUT X 12"	026613127828	14.70
BF1-16A F	POLY BRD FAUCET CONN. - 3/8" FLARE X 1/2" FIP X 16"	026613966663	12.98
BF1-16DL F	POLY BRD TOILET CONN. - 3/8" FLARE X 7/8" BALLCOCK X 16"	026613104348	15.16
BF1-20A F	POLY BRD FAUCET CONN. - 3/8" FLARE X 1/2" FIP X 20"	026613966687	13.89
BF1-20DL F	POLY BRD TOILET CONN. - 3/8" FLARE X 7/8" BALLCOCK X 20"	026613966441	15.64
BF3-12DL F	POLY BRD TOILET CONN. - 1/2" FLARE X 7/8" BALLCOCK X 12"	026613966595	16.02
BF3-12DLM F	POLY BRD TOILET CONN. - 1/2" FLARE X 7/8" BALLCOCK W/ METAL NUT X 12"	026613127835	16.02
BF3-16DL F	POLYBRD TOILET CONN. - 1/2" FLARE X 7/8" BALLCOCK X 16"	026613104362	17.30
BF3-20A F	POLY BRD FAUCET CONN. - 1/2" FLARE X 1/2" FIP X 20"	026613966724	15.02

NOTE: Actual riser length to connect less 1/2"

For product availability please refer to "Wholesale 2013 Compliant Conversion Plan - Product Availability List" on ROA.

Product offering, availability & pricing are subject to change. Please contact BrassCraft Customer Service toll-free at 877-272-7755 for verification or ROA access.

Terms: BrassCraft terms and conditions can be found at [www.brasscraft.com](http://www.brasscraft.com)

Part Number	Description	Item UPC	List Price EA
BF3-20DL F	POLY BRD TOILET CONN. - 1/2" FLARE X 7/8" BALLCOCK X 20"	026613104379	18.43
BL12-48WA F	POLY BRD WASH MACHINE CONN. - 3/4" FEM HOSE THRD X 3/4" FEM HOSE THRD X 48"	026613105499	29.41
BL12-48WA P	BRD WASH MACHINE CONN. - 3/4" FEM HOSE THRD X 3/4" FEM HOSE THRD (BAG) X 48"	026613142043	30.96
BL12-60WA F	POLY BRD WASH MACHINE CONN. - 3/4" FEM HOSE THRD X 3/4" FEM HOSE THRD X 60"	026613142609	33.55
BL12-60WA P	POLY BRD WASH MACHINE CONN. - 3/4" FEM HOSE THRD X 3/4" FEM HOSE THRD (BAG) X 60"	026613142050	35.32
BL12-72WA F	POLY BRD WASH MACHINE CONN. - 3/4" FEM HOSE THRD X 3/4" FEM HOSE THRD X 72"	026613104829	30.52
BL12-72WA P	POLY BRD WASH MACHINE CONN. - 3/4" FEM HOSE THRD X 3/4" FEM HOSE THRD X 72"	026613142067	40.72
BL3-12DL F	POLY BRD TOILET CONN. FOR LOW BOY TOILETS - 1/2" COMP X 7/8" BALLCOCK X 12"	026613097565	18.92
BL3-48DW F	POLY BRD DISHWASHER CONN. - 1/2" COMP X 1/2" COMP X 48"	026613104461	28.55
BL3-60DW F	POLY BRD DISHWASHER CONN. - 1/2" COMP X 1/2" COMP X 60"	026613104478	32.96
BL3-6DL F	POLY BRD TOILET CONN. FOR LOW BOY TOILETS - 1/2" COMP X 7/8" BALLCOCK X 6"	026613097596	14.27
BL3-72DW F	POLY BRD DISHWASHER CONN. - 1/2" COMP X 1/2" COMP X 72"	026613104485	37.12
BL3-9DL F	POLY BRD TOILET CONN. FOR LOW BOY TOILETS - 1/2" COMP X 7/8" BALLCOCK X 9"	026613097619	16.57
BRPX04X C	MULTI-TURN SUPPLY STOP - STRAIGHT - 1/2" NOM BARB X 1/4" OD COMP	026613148991	28.24
BRPX04X R	MULTI-TURN SUPPLY STOP - STRAIGHT - 1/2" NOM BARB X 1/4" OD COMP	026613149004	26.88
BRPX09X C	MULTI-TURN SUPPLY STOP - ANGLE - 1/2" NOM BARB X 1/4" OD COMP	026613149011	24.52
BRPX09X R	MULTI-TURN SUPPLY STOP - ANGLE - 1/2" NOM BARB X 1/4" OD COMP	026613149035	23.31
BRPX14X C	MULTI-TURN SUPPLY STOP - STRAIGHT - 1/2" NOM BARB X 3/8" OD COMP	026613142326	21.32
BRPX14X R	MULTI-TURN SUPPLY STOP - STRAIGHT - 1/2" NOM BARB X 3/8" OD COMP	026613149042	20.10
BRPX1901LRX R1	MT DUAL OUTLET SUPPLY STOP - 1/2" NOM BARB X 3/8" OD COMP X 3/8" OD COMP	026613137728	44.30
BRPX19V120AX C	FAUCET MT ONE-PC SUPPLY - ANG STOP/VINYL CONN. - 1/2" NOM BARB X 1/2" FIP X 12"	026613152899	36.68
BRPX19V120DLX C	TOILET MT ONE-PC SUPPLY - ANG STOP/VINYL CONN. - 1/2" NOM BARB X 7/8" BALLCOCK X 20"	026613155340	17.78
BRPX19V200AX C	FAUCET MT ONE-PC SUPPLY - ANG STOP/VINYL CONN. - 1/2" NOM BARB X 1/2" FIP X 20"	026613152905	39.81
BRPX19X C	MULTI-TURN SUPPLY STOP - ANGLE - 1/2" NOM BARB X 3/8" OD COMP	026613138206	20.18
BRPX19X R	MULTI-TURN SUPPLY STOP - ANGLE - 1/2" NOM BARB X 3/8" OD COMP	026613138213	19.11
BRPX1BX C	MULTI-TURN SUPPLY STOP - ANGLE - 3/8" NOM BARB X 3/8" OD COMP	026613149059	22.97
BRPX44X C	MULTI-TURN SUPPLY STOP - STRAIGHT - 1/2" NOM BARB X 1/2" NOM BARB	026613139814	27.85
BRPX44X R	MULTI-TURN SUPPLY STOP - STRAIGHT - 1/2" NOM BARB X 1/2" NOM BARB	026613136691	26.52
BWB0-12	POLY BRD WTR HTR CONN. 3/4" FIP X 3/4" FIP X 12"	026613965321	26.87
BWB0-15	POLY BRD WTR HTR CONN. 3/4" FIP X 3/4" FIP X 15	026613965406	28.74
BWB0-18	POLY BRD WTR HTR CONN. 3/4" FIP X 3/4" FIP X 18"	026613965413	30.83
BWB0-18PX	POLY BRD WTR HTR CONN. 3/4" FIP X PEX ADAPTOR X 18"	026613107141	36.71
BWB0-24	POLY BRD WTR HTR CONN. 3/4" FIP X 3/4" FIP X 24"	026613965420	34.84
BWB05-18	POLY BRD WTR HTR CONN. 3/4" FIP X 5/8" CMP X 18"	026613120836	30.83
BWB08-12	POLY BRD WTR HTR CONN. 3/4" FIP X 7/8" CMP X 12"	026613965369	26.87
BWB08-18	POLY BRD WTR HTR CONN. 3/4" FIP X 7/8" CMP X 18"	026613965383	30.83
BWB08-24	POLY BRD WTR HTR CONN. 3/4" FIP X 7/8" CMP X 24"	026613965390	34.84
BWB20-12	POLY BRD WTR HTR CONN. 3/4" MIP X 3/4" FIP X 12"	026613965437	26.87
BWB20-15	POLY BRD WTR HTR CONN. 3/4" MIP X 3/4" FIP X 15	026613965444	28.74
BWB20-18	POLY BRD WTR HTR CONN. 3/4" MIP X 3/4" FIP X 18"	026613965451	30.83
BWB20-24	POLY BRD WTR HTR CONN. 3/4" MIP X 3/4" FIP X 24"	026613965468	34.84
BWB25-18	POLYMER BRAIDED WATER HEATER CONN 3/4" MIP X 5/8" CMP X 18"	026613100333	30.83
BWB28-18	POLY BRD WTR HTR CONN. 3/4" MIP X 7/8" CMP X 18"	026613965345	30.83
BWB28-24	POLY BRD WTR HTR CONN. 3/4" MIP X 7/8" CMP X 24"	026613965352	34.84
C14X C	BRASS FITTING - COMP UNION 1/2" NOM COMP X 3/8" OD TUBE, CHROME	026613149066	9.78
CB646 C	CAST BRASS ESCUTCHEONS W/ SET SCREW - 3/8" IP SHALLOW, CHROME	026613057040	21.87

NOTE: Actual riser length to connect less 1/2"

For product availability please refer to "Wholesale 2013 Compliant Conversion Plan - Product Availability List" on ROA.

Product offering, availability & pricing are subject to change. Please contact BrassCraft Customer Service toll-free at 877-272-7755 for verification or ROA access.

Terms: BrassCraft terms and conditions can be found at [www.brasscraft.com](http://www.brasscraft.com)

Part Number	Description	Item UPC	List Price EA
CB647 C	CAST BRASS ESCUTCHEONS W/ SET SCREW - 1/2" IP SHALLOW, CHROME	026613057057	21.87
CB649 C	CAST BRASS ESCUTCHEONS W/ SET SCREW - 1/2" NOM (5/8" OD) SHALLOW, CHROME	026613057064	21.87
CB650 C	CAST BRASS ESCUTCHEONS W/ SET SCREW - 11/16" OD SHALLOW, CHROME	026613057071	21.87
CR1900DVSX R	MT DUAL OUTLET/SHUT-OFF STOP - STRGHT - 1/2" NOM COMP X 3/8" OD COMP X 1/4" OD COMP	026613137971	52.03
CR1900DVX C	MT DUAL OUTLET/SHUT-OFF STOP - ANG - 1/2" NOM COMP X 3/8" OD COMP X 1/4" OD COMP	026613137384	62.24
CR1900DVX R	MT DUAL OUTLET/SHUT-OFF STOP - ANG - 1/2" NOM COMP X 3/8" OD COMP X 1/4" OD COMP	026613137377	50.30
CR1900LX C1	MT DUAL OUTLET STOP - 1/2" NOM COMP X 3/8" OD COMP X 1/4" OD COMP	026613138220	37.14
CR1900LX R1	MT DUAL OUTLET STOP - 1/2" NOM COMP X 3/8" OD COMP X 1/4" OD COMP	026613138237	34.35
CR1900RX C1	MT DUAL OUTLET STOP - 1/2" NOM COMP X 3/8" OD COMP X 1/4" OD COMP	026613136882	37.14
CR1900RX R1	MT DUAL OUTLET STOP - 1/2" NOM COMP X 3/8" OD COMP X 1/4" OD COMP	026613135854	34.35
CR1901DVSX C	MT DUAL OUTLET/SHUT-OFF STOP - STRGHT - 1/2" NOM COMP X 3/8" OD COMP X 3/8" OD COMP	026613137391	59.85
CR1901DVSX R	MT DUAL OUTLET/SHUT-OFF STOP- STRGHT - 1/2" NOM COMP X 3/8" OD COMP X 3/8" OD COMP	026613137407	54.05
CR1901DVX C	MT DUAL OUTLET/SHUT-OFF STOP - ANG - 1/2" NOM COMP X 3/8" OD COMP X 3/8" OD COMP	026613137421	62.24
CR1901DVX R	MT DUAL OUTLET/SHUT-OFF STOP - ANG - 1/2" NOM COMP X 3/8" OD COMP X 3/8" OD COMP	026613137414	52.20
CR1901LRB20AX C	FAUCET MT FLX SUP. KIT - DUAL OUTLET STOP/POLY BRD CONN. - 1/2" NOM COMP X 3/8" OD COMP X 3/8" OD COMP 3/8" COMP X 1/2" FIP X 20"	026613140087	48.59
CR1901LRX C1	MT DUAL OUTLET STOP - 1/2" NOM COMP X 3/8" OD COMP X 3/8" OD COMP	026613137872	37.14
CR1901LRX R1	MT DUAL OUTLET STOP - 1/2" NOM COMP X 3/8" OD COMP X 3/8" OD COMP	026613135779	34.35
CR1903DVX R	MT DUAL OUTLET/SHUT-OFF STOP - ANG - 1/2" NOM COMP X 3/8" OD COMP X 1/2" OD COMP	026613142319	46.36
CR2900RX C1	MULTI-TURN DUAL OUTLET STOP - 1/2" NOM COMP X 7/16" OD COMP X 1/4" OD COMP	026613138244	42.78
CR2900RX R1	MT DUAL OUTLET SUPPLY STOP - 1/2" NOM COMP X 7/16" OD COMP X 1/4" OD COMP	026613138251	38.18
CR2901RX C1	MT DUAL OUTLET SUPPLY STOP - 1/2" NOM COMP X 7/16" OD COMP X 3/8" OD COMP	026613138268	40.76
CR2901RX R1	MT DUAL OUTLET STOP - 1/2" NOM COMP X 7/16" OD COMP X 3/8" OD COMP	026613135915	37.82
CR3900RX R1	MT DUAL OUTLET STOP - 1/2" NOM COMP X 1/2" OD COMP X 1/4" OD COMP	026613149233	44.92
CR3901LX C1	MT DUAL OUTLET STOP - 1/2" NOM COMP X 1/2" OD COMP X 3/8" OD COMP	026613138404	42.78
CR3901LX R1	MT DUAL OUTLET STOP - 1/2" NOM COMP X 1/2" OD COMP X 3/8" OD COMP	026613135960	38.18
CR3901RX C1	MT DUAL OUTLET STOP - 1/2" NOM COMP X 1/2" OD COMP X 3/8" OD COMP	026613137858	42.78
CR3901RX R1	MT DUAL OUTLET STOP - 1/2" NOM COMP X 1/2" OD COMP X 3/8" OD COMP	026613137865	38.18
CR3903LRX C1	MT DUAL OUTLET STOP - 1/2" NOM COMP X 1/2" OD COMP X 1/2" OD COMP	026613138275	50.36
CR3903LRX R1	MT DUAL OUTLET STOP - 1/2" NOM COMP X 1/2" OD COMP X 1/2" OD COMP	026613138282	44.92
CS400AX C	FAUCET MT SUP. KIT W/ 5" SWT EXT. - ANG/RIS - 1/2" NOM SWT X 3/8" OD COMP X 12"	026613152912	91.06
CS401B12DLX C	TOILET MT FLX SUP. KIT W/ 5" EXT - ANG STOP/POLY BRD CONN. - 1/2" NOM SWT X 3/8" OD COMP 3/8" COMP X 7/8" BALLCOCK X 12"	026613155159	43.16
CS401DLX C	TOILET MT W/ 5" SWT EXT. - ANG/RISER - 1/2" NOM SWEAT X 3/8" OD COMP X 12"	026613154848	46.40
CS403DLX C	TOILET MT W/ 5" SWT EXT. - STRGHT/RISER - 1/2" NOM SWEAT X 3/8" OD COMP X 12"	026613154824	59.11
CS407AX C	FAUCET MT SUPPLY KIT W/ 5" SWT EXT. -STRGHT/RISER - 1/2" NOM SWT X 3/8" OD COMP X 30"	026613152929	141.58
CS40BX BRL	SPF MT W/ 5" SWT EXT. - ANG - 1/2" NOM SWEAT X 3/8" OD COMP W/ BELL ESCUT.	026613149325	89.22
CS40BX BZ	SPF MT W/ 5" SWT EXT. - ANG - 1/2" NOM SWEAT X 3/8" OD COMP W/ BELL ESCUT.	026613149332	89.22
CS40BX C	MULTI-TURN SUPPLY STOP - ANG - 1/2" NOM SWEAT X 3/8" OD COMP W/ BELL ESCUT.	026613138299	38.45
CS40BX C1	MULTI-TURN SUPPLY STOP - ANG - 1/2" NOM SWEAT X 3/8" OD COMP W/ BELL ESCUT.	026613135717	40.39
CS40BX NP	SPF MT W/ 5" SWT EXT. - ANG - 1/2" NOM SWEAT X 3/8" OD COMP W/ BELL ESCUT.	026613149356	89.22
CS40BX NS	SPF MT W/ 5" SWT EXT. - ANG - 1/2" NOM SWEAT X 3/8" OD COMP W/ BELL ESCUT.	026613149363	89.22
CS40X C	MULTI-TURN SUPPLY STOP - ANG - 1/2" NOM SWEAT X 3/8" OD COMP	026613136721	35.41
CS41BX BRL	SPF MT W/ 5" SWT EXT. - STRGHT - 1/2" NOM SWEAT X 3/8" OD COMP W/ BELL ESCUT.	026613149387	105.44
CS41BX BZ	SPF MT W/ 5" SWT EXT. - STRGHT - 1/2" NOM SWEAT X 3/8" OD COMP W/ BELL ESCUT.	026613149394	105.44
CS41BX C	MT STOP - STRAIGHT - 1/2" NOM SWEAT X 3/8" OD COMP W/ BELL ESCUTCHEON	026613137896	42.07
CS41BX C1	MT STOP - STRAIGHT - 1/2" NOM SWEAT X 3/8" OD COMP W/ BELL ESCUTCHEON	026613136042	44.17
CS41BX NP	SPF MT W/ 5" SWT EXT. - STRGHT - 1/2" NOM SWEAT X 3/8" OD COMP W/ BELL ESCUT.	026613149417	105.44

NOTE: Actual riser length to connect less 1/2"

For product availability please refer to "Wholesale 2013 Compliant Conversion Plan - Product Availability List" on ROA.

Product offering, availability & pricing are subject to change. Please contact BrassCraft Customer Service toll-free at 877-272-7755 for verification or ROA access.

Terms: BrassCraft terms and conditions can be found at [www.brasscraft.com](http://www.brasscraft.com)

Part Number	Description	Item UPC	List Price EA
CS41BX NS	SPF MT W/ 5" SWT EXT. - STRGHT - 1/2" NOM SWEAT X 3/8" OD COMP W/ BELL ESCUT.	026613149424	105.44
CS41X C	MULTI-TURN SUPPLY STOP - STRAIGHT - 1/2" NOM SWEAT X 3/8" OD COMP	026613149370	38.90
CS425AX C	FAUCET MT SUP. KIT W/ 5" SWT EXT. - ANG/RISER - 1/2" NOM SWT X 3/8" OD COMP X 20"	026613152936	125.84
CS44BX C	MULTI-TURN SUPPLY STOP - ANGLE - 3/8" NOM SWEAT X 3/8" OD COMP W/ BELL ESCUT.	026613149431	51.64
CS47BX C	MULTI-TURN SUPPLY STOP - STRAIGHT - 1/2" NOM SWEAT X 1/2" OD COMP W/ BELL ESCUT.	026613149462	62.01
CS47X C	MULTI-TURN SUPPLY STOP - STRAIGHT - 1/2" NOM SWEAT X 1/2" OD COMP	026613149455	58.97
CS500AX C	FAUCET MT SUP. KIT W/ 5" SWT EXT. - ANG/RIS - 1/2" NOM SWT X 1/2" OD COMP X 12"	026613152943	139.72
CS600 R	FAUCET RISER SWEAT 1-PIECE W/ SHANK NUT - 1/2" OD TUBE FOR 12" LENGTH	026613002675	14.31
CT2-664X P	BRASS FITTING - COMP FEM TEE ADAPTORS (FIP ON BRANCH) 3/8" OD X 3/8" OD X 1/4" F CAP NUT	026613140933	8.12
CT2-666X P	BRASS FITTING - COMP FEM TEE ADAPTORS (FIP ON BRANCH) 3/8" OD X 3/8" OD COMP X 3/8" F CAP NUT	026613140926	8.12
DRS44 R	INTEGRAL SHUT-OFF - LESS LOCK SHIELD SCREWDRIVER SLOT 1/2" NOM SWT FEM X 1/2" NOM SWT FEM	026613025469	21.06
DRS44M C	INTEGRAL SHUT-OFF - LESS LOCK SHIELD SCREWDRIVER SLOT 1/2" NOM SWT FEM X 1/2" NOM SWT MALE	026613025421	25.29
DRS44M R	INTEGRAL SHUT-OFF - LESS LOCK SHIELD SCREWDRIVER SLOT 1/2" NOM SWT FEM X 1/2" NOM SWT MALE	026613025438	21.06
DRS44M R1	INTEGRAL SHUT-OFF - LESS LOCK SHIELD SCREWDRIVER SLOT 1/2" NOM SWT FEM X 1/2" NOM SWT MALE	026613964034	22.12
DRS83 C	INTEGRAL SHUT-OFF - LESS LOCK SHIELD SCREWDRIVER SLOT 1/2" FIP X 1/2" MIP	026613025483	25.29
DRS83 R	INTEGRAL SHUT-OFF - LESS LOCK SHIELD SCREWDRIVER SLOT 1/2" FIP X 1/2" MIP	026613025490	21.06
DRS83 R1	INTEGRAL SHUT-OFF - LESS LOCK SHIELD SCREWDRIVER SLOT 1/2" FIP X 1/2" MIP	026613097213	22.12
DRS84 C	INTEGRAL SHUT-OFF - LESS LOCK SHIELD SCREWDRIVER SLOT 1/2" NOM SWT FEM X 1/2" MIP	026613025513	25.29
DRS84 R	INTEGRAL SHUT-OFF - LESS LOCK SHIELD SCREWDRIVER SLOT 1/2" NOM SWT FEM X 1/2" MIP	026613025520	21.06
DRS84 R1	INTEGRAL SHUT-OFF - LESS LOCK SHIELD SCREWDRIVER SLOT 1/2" NOM SWT FEM X 1/2" MIP	026613100784	22.12
F0-6	BRASS FITTING - FINE THREAD FLARE NUT 3/8" OD TUBE (9/16-24)	026613004785	1.39
F0-6 C	BRASS FITTING - FINE THREAD FLARE NUT 3/8" OD TUBE (9/16-24, CHROME)	026613059877	4.43
F0-6-4 C	BRASS FITTING - FINE THREAD FLARE REDUCING NUT 3/8" (9/16"-24) OD X 1/4", CHROME	026613059846	6.04
F0-6-4 R	BRASS FITTING - FINE THREAD FLARE REDUCING NUT 3/8" (9/16"-24) OD X 1/4"	026613058962	1.91
F0-8	BRASS FITTING - FINE THREAD FLARE NUT 1/2" OD TUBE (9/16-24)	026613967349	2.70
F0-8 C	BRASS FITTING - FLARE NUT 1/2" OD TUBE W/ 9/16-24 FINE THREAD, CHROME	026613059884	8.54
F1-11C C	FAUCET RISER - 3/8" OD TUBE FLARED FOR 11" LENGTH	026613044491	7.75
F1-11E C	TOILET RISER - 3/8" OD TUBE FLARED FOR 11" LENGTH	026613044521	9.28
F1-17C C	FAUCET RISER - 3/8" OD TUBE FLARED FOR 17" LENGTH	026613044620	10.03
F1-20C C	FAUCET RISER - 3/8" OD TUBE FLARED FOR 20" LENGTH	026613044675	15.76
F1-20C R	FAUCET RISER - 3/8" OD TUBE FLARED FOR 20" LENGTH	026613044682	11.29
FCS501EX C	TOILET MT W/ 5" SWT EXT. - ANG/RISER - 1/2" NOM SWEAT X 1/2" OD FLARE X 12"	026613155166	63.04
FR1701LRX R1	MT DUAL OUTLET STOP - 1/2" FIP X 3/8" OD FLARE X 3/8" OD FLARE	026613137018	35.91
FR1901LRX C1	MT DUAL OUTLET STOP- 1/2" FIP X 3/8" OD FLARE X 3/8" OD FLARE	026613152950	41.42
FR1911CX C	FAUCET MT SUPPLY KIT - ANG/RISER - 1/2" NOM SWEAT X 3/8" OD FLARE X 11"	026613152967	56.71
FR1917CX C	FAUCET MT SUPPLY KIT - ANG/RISER - 1/2" NOM SWEAT X 3/8" OD FLARE X 17"	026613152974	94.63
FR19X C	MULTI-TURN SUPPLY STOP - ANGLE - 1/2" NOM SWEAT X 3/8" OD FLARE	026613149547	18.64
FR19X R	MULTI-TURN SUPPLY STOP - ANGLE - 1/2" NOM SWEAT X 3/8" OD FLARE	026613149554	17.42
FR3911EX C	TOILET MT SUPPLY KIT - ANG/RISER - 1/2" NOM SWEAT X 1/2" OD FLARE X 11"	026613154602	40.97
FR39X C	MULTI-TURN SUPPLY STOP - ANGLE - 1/2" NOM SWEAT X 1/2" OD FLARE	026613149561	29.59
G23301X C	1/4 TURN SUPPLY STOP - ANGLE - 1/2" FIP X 7/16" & 1/2" OD SLIP-JOINT	026613138411	16.06
G23301X C1	1/4 TURN SUPPLY STOP - ANGLE - 1/2" FIP X 7/16" & 1/2" OD SLIP-JOINT	026613135724	16.85
G23305X C	1/4 TURN SUPPLY STOP - STRAIGHT - 1/2" FIP X 7/16" & 1/2" OD SLIP-JOINT	026613137735	17.94
G23305X C1	1/4 TURN SUPPLY STOP - STRAIGHT - 1/2" FIP X 7/16" & 1/2" OD SLIP-JOINT	026613137742	18.84
G23341X C	1/4 TURN SUPPLY STOP - ANGLE - 1/2" NOM COMP X 7/16" & 1/2" OD SLIP-JOINT	026613135243	17.88
G23341X C1	1/4 TURN SUPPLY STOP - ANGLE - 1/2" NOM COMP X 7/16" & 1/2" OD SLIP-JOINT	026613135250	18.75

NOTE: Actual riser length to connect less 1/2"

For product availability please refer to "Wholesale 2013 Compliant Conversion Plan - Product Availability List" on ROA.

Product offering, availability & pricing are subject to change. Please contact BrassCraft Customer Service toll-free at 877-272-7755 for verification or ROA access.

Terms: BrassCraft terms and conditions can be found at [www.brasscraft.com](http://www.brasscraft.com)

Part Number	Description	Item UPC	List Price EA
G23345X C	1/4 TURN SUPPLY STOP - STRAIGHT - 1/2" NOM COMP X 7/16" & 1/2" OD SLIP-JOINT	026613135236	33.51
G23345X C1	1/4 TURN SUPPLY STOP - STRAIGHT - 1/2" NOM COMP X 7/16" & 1/2" OD SLIP-JOINT	026613145068	35.20
G2BRPX14X C	1/4 TURN SUPPLY STOP - STRAIGHT - 1/2" NOM CRIMP BARB X 3/8" OD COMP	026613149578	22.35
G2BRPX14X R	1/4 TURN SUPPLY STOP - STRAIGHT - 1/2" NOM CRIMP BARB X 3/8" OD COMP	026613149585	21.09
G2BRPX19X C	1/4 TURN SUPPLY STOP - ANGLE - 1/2" NOM CRIMP BARB X 3/8" OD COMP	026613137568	21.09
G2BRPX19X R	1/4 TURN SUPPLY STOP - ANGLE - 1/2" NOM CRIMP BARB X 3/8" OD COMP	026613145112	20.07
G2BRPX44X C	1/4 TURN SUPPLY STOP - STRAIGHT - 1/2" NOM CRIMP BARB X 1/2" NOM BARB	026613139821	29.20
G2BRPX44X R	1/4 TURN SUPPLY STOP - STRAIGHT - 1/2" NOM CRIMP BARB X 1/2" NOM BARB	026613136707	27.81
G2CEPX14X C	1/4 TURN SUPPLY STOP - STRAIGHT - 1/2" NOM COLD EXP. BARB X 3/8" OD COMP	026613141565	23.00
G2CEPX19B160AX C	FAUCET 1/4 TURN ONE-PC SUPPLY - ANG/POLY BRD CONN. - 1/2" NOM BARB X 1/2" FIP X 16"	026613152981	60.28
G2CEPX19B200AX C	FAUCET 1/4 TURN ONE-PC SUPPLY - ANGLE STOP/BRD CONN. - 1/2" NOM BARB X 1/2" FIP X 20"	026613152998	61.12
G2CEPX19X C	1/4 TURN SUPPLY STOP - ANGLE - 1/2" NOM COLD EXP BARB X 3/8" OD COMP	026613141589	22.09
G2CR09X C	1/4 TURN SUPPLY STOP - ANGLE - 1/2" NOM COMP X 1/4" OD COMP	026613138305	26.46
G2CR09X C1	1/4 TURN SUPPLY STOP - ANGLE - 1/2" NOM COMP X 1/4" OD COMP	026613138312	27.61
G2CR09X R	1/4 TURN SUPPLY STOP - ANGLE - 1/2" NOM COMP X 1/4" OD COMP	026613138329	22.54
G2CR11X C	1/4 TURN SUPPLY STOP - STRAIGHT - 1/4" NOM COMP X 3/8" OD COMP	026613145075	30.04
G2CR11X C1	1/4 TURN SUPPLY STOP - STRAIGHT - 1/4" NOM COMP X 3/8" OD COMP	026613144757	31.55
G2CR14PXX C	1/4 TURN SUPPLY STOP - STRAIGHT - 1/2" NOM COMP X 3/8" OD COMP W/ TUBE INSERT	026613136936	19.03
G2CR14X C	1/4 TURN SUPPLY STOP - STRAIGHT - 1/2" NOM COMP X 3/8" OD COMP	026613136929	18.99
G2CR14X C1	1/4 TURN SUPPLY STOP - STRAIGHT - 1/2" NOM COMP X 3/8" OD COMP	026613135892	19.93
G2CR14X R	1/4 TURN SUPPLY STOP - STRAIGHT - 1/2" NOM COMP X 3/8" OD COMP	026613136943	17.93
G2CR1912DLX C	TOILET 1/4 TURN SUPPLY KIT - ANG/RISER - 1/2" NOM COMP X 3/8" OD COMP X 12"	026613155029	31.51
G2CR19B120DLMX C	TOILET 1/4 TURN ONE-PC SUPPLY - ANG STOP/BRD CONN. - 1/2" NOM COMP X 3/8" OD COMP X 12"	026613155272	29.50
G2CR19B12DLX C	TOILET 1/4 TURN FLX SUP. KIT - ANG STOP/BRD CONN. - 1/2" NOM COMP X 3/8" OD COMP 3/8" COMP X 7/8" BALLCOCK X 12"	026613155036	31.12
G2CR19B160AX C	FAUCET 1/4 TURN ONE-PC SUPPLY - ANG STOP/BRD CONN. - 1/2" NOM COMP X 1/2" FIP X 16"	026613153018	57.96
G2CR19B16AX C	FAUCET 1/4 TURN FLX SUP. KIT - ANG STOP/BRD CONN. - 1/2" NOM COMP X 3/8" OD COMP 3/8" COMP X 1/2" FIP X 16"	026613140049	32.44
G2CR19B200AX C	FAUCET 1/4 TURN ONE-PC SUPPLY - ANG STOP/BRD CONN. - 1/2" NOM COMP X 1/2" FIP X 20"	026613153025	63.48
G2CR19B20AX C	FAUCET 1/4 TURN FLX SUPPLY KIT - ANG STOP/BRD CONN. - 1/2" NOM COMP X 3/8" OD COMP 3/8" COMP X 1/2" FIP X 20"	026613140032	34.96
G2CR19PXX C	1/4 TURN SUPPLY STOP - ANGLE - 1/2" NOM COMP X 3/8" OD COMP W/ TUBE INSERT	026613149608	18.02
G2CR19X C	1/4 TURN SUPPLY STOP - ANGLE - 1/2" NOM COMP X 3/8" OD COMP	026613135069	17.94
G2CR19X C1	1/4 TURN SUPPLY STOP - ANGLE - 1/2" NOM COMP X 3/8" OD COMP	026613135809	18.86
G2CR19X R	1/4 TURN SUPPLY STOP - ANGLE - 1/2" NOM COMP X 3/8" OD COMP	026613138534	17.03
G2CR34X C	1/4 TURN SUPPLY STOP - STRAIGHT - 1/2" NOM COMP X 1/2" OD COMP	026613144986	32.11
G2CR34X C1	1/4 TURN SUPPLY STOP - STRAIGHT - 1/2" NOM COMP X 1/2" OD COMP	026613145044	33.71
G2CR34X R	1/4 TURN SUPPLY STOP - STRAIGHT - 1/2" NOM COMP X 1/2" OD COMP	026613145051	29.13
G2CR39X C	1/4 TURN SUPPLY STOP - ANGLE - 1/2" NOM COMP X 1/2" OD COMP	026613144955	18.99
G2CR39X C1	1/4 TURN SUPPLY STOP - ANGLE - 1/2" NOM COMP X 1/2" OD COMP	026613144962	19.93
G2CR39X R	1/4 TURN SUPPLY STOP - ANGLE - 1/2" NOM COMP X 1/2" OD COMP	026613144979	17.93
G2PC09X C	1/4 TURN SUPPLY STOP - PUSH CONNECT W/ LCK CLIP ANG - 1/2" NOM PC X 1/4" OD COMP	026613149615	35.52
G2PC14X C	1/4 TURN SUPPLY STOP - PUSH CONNECT W/ LCK CLIP STRGHT - 1/2" NOM PC X 3/8" OD COMP	026613136950	27.90
G2PC14X C1	1/4 TURN SUPPLY STOP - PUSH CONNECT W/ LCK CLIP STRGHT - 1/2" NOM PC X 3/8" OD COMP	026613135922	29.29
G2PC19X C	1/4 TURN SUPPLY STOP - PUSH CONNECT W/ LCK CLIP ANG - 1/2" NOM PC X 3/8" OD COMP	026613136967	26.32
G2PC19X C1	1/4 TURN SUPPLY STOP - PUSH CONNECT W/ LCK CLIP ANG - 1/2" NOM PC X 3/8" OD COMP	026613135700	27.64
G2PR14X C	1/4 TURN SUPPLY STOP - STRAIGHT - 1/2" NOM CPVC X 3/8" OD COMP	026613142364	32.14
G2PR14X C1	1/4 TURN SUPPLY STOP - STRAIGHT - 1/2" NOM CPVC X 3/8" OD COMP	026613144917	33.75
G2PR19X C	1/4 TURN SUPPLY STOP - ANGLE - 1/2" NOM CPVC X 3/8" OD COMP	026613142357	30.65

NOTE: Actual riser length to connect less 1/2"

For product availability please refer to "Wholesale 2013 Compliant Conversion Plan - Product Availability List" on ROA.

Product offering, availability & pricing are subject to change. Please contact BrassCraft Customer Service toll-free at 877-272-7755 for verification or ROA access.

Terms: BrassCraft terms and conditions can be found at [www.brasscraft.com](http://www.brasscraft.com)

Part Number	Description	Item UPC	List Price EA
G2PR19X C1	1/4 TURN SUPPLY STOP - ANGLE - 1/2" NOM CPVC X 3/8" OD COMP	026613144924	32.20
G2PR19X R	1/4 TURN SUPPLY STOP - ANGLE - 1/2" NOM CPVC X 3/8" OD COMP	026613144931	27.53
G2PS09X C	1/4 TURN SUPPLY STOP - PUSH CONNECT ANGLE - 1/2" NOM PC X 1/4" OD COMP	026613142180	31.97
G2PS14X C	1/4 TURN SUPPLY STOP - PUSH CONNECT STRAIGHT - 1/2" NOM PC X 3/8" OD COMP	026613142142	25.10
G2PS19X C	1/4 TURN SUPPLY STOP - PUSH CONNECT ANGLE - 1/2" NOM PC X 3/8" OD COMP	026613142128	23.70
G2QPS14X C	1/4 TURN SUPPLY STOP - PUSH CONNECT STRAIGHT - 1/2" NOM PC X 3/8" OD PUSH CONNECT	026613145198	25.10
G2QPS19X C	1/4 TURN SUPPLY STOP - PUSH CONNECT ANGLE - 1/2" NOM PC X 3/8" OD PUSH CONNECT	026613145204	23.70
G2R07X C	1/4 TURN SUPPLY STOP - ANGLE - 1/2" FIP X 3/8" OD COMP	026613138336	21.83
G2R07X C1	1/4 TURN SUPPLY STOP - ANGLE - 1/2" FIP X 3/8" OD COMP	026613138343	22.91
G2R07X R	1/4 TURN SUPPLY STOP - ANGLE - 1/2" FIP X 1/4" OD COMP	026613144993	19.03
G2R10X C	1/4 TURN SUPPLY STOP - STRAIGHT - 3/8" FIP X 3/8" OD COMP	026613145037	17.29
G2R10X C1	1/4 TURN SUPPLY STOP - STRAIGHT - 3/8" FIP X 3/8" OD COMP	026613137803	18.15
G2R12X C	1/4 TURN SUPPLY STOP - STRAIGHT - 1/2" FIP X 3/8" OD COMP	026613138572	17.29
G2R12X C1	1/4 TURN SUPPLY STOP - STRAIGHT - 1/2" FIP X 3/8" OD COMP	026613135953	18.15
G2R15X C	1/4 TURN SUPPLY STOP - STRAIGHT - 3/8" FIP X 3/8" OD COMP	026613145143	16.48
G2R15X C1	1/4 TURN SUPPLY STOP - STRAIGHT - 3/8" FIP X 3/8" OD COMP	026613136059	17.30
G2R17X C	1/4 TURN SUPPLY STOP - ANGLE - 1/2" FIP X 3/8" OD COMP	026613137926	16.48
G2R17X C1	1/4 TURN SUPPLY STOP - ANGLE - 1/2" FIP X 3/8" OD COMP	026613135885	17.30
G2R17X R	1/4 TURN SUPPLY STOP - ANGLE - 1/2" FIP X 3/8" OD COMP	026613145082	15.46
G2R17X R1	1/4 TURN SUPPLY STOP - ANGLE - 1/2" FIP X 3/8" OD COMP	026613145099	16.22
G2R37X C	1/4 TURN SUPPLY STOP - ANGLE - 1/2" FIP X 1/2" OD COMP	026613145006	25.17
G2R37X C1	1/4 TURN SUPPLY STOP - ANGLE - 1/2" FIP X 1/2" OD COMP	026613145013	26.44
HCR1912AZX C	FAUCET HP SUPPLY KIT - ANGLE - 1/2" NOM COMP X 3/8" OD COMP W/ ESCUT.	026613153032	84.50
HCR19ZX C	HP SUPPLY STOP - ANGLE - 1/2" NOM COMP X 3/8" OD COMP	026613154244	34.32
HCR39ZX C	HP SUPPLY STOP - ANGLE - 1/2" NOM COMP X 1/2" OD COMP	026613149653	36.39
HCS500AX C	FAUCET HP SUP. KIT W/ 5" SWT EXT. - ANG - 1/2" NOM SWT W/ 5" EXT. X 1/2" OD COMP W/ BELL ESCUT.	026613153049	161.75
HES-6-12	BRASS FITTING - 3/8" OD COMP X 3/4" GARDEN HOSE W/ WASHER	026613139975	9.84
HES-6-12WNM	BRASS FITTING - 3/8" OD COMP X 3/4" GARDEN HOSE W/ WASHER W/3/8" OD COMP NUT AND SLEEVE	026613141121	9.31
HES-8-12	BRASS FITTING - 1/2" OD COMP X 3/4" GARDEN HOSE W/ WASHER	026613141534	10.47
HR1512AZX C	FAUCET HP SUPPLY KIT - ANGLE - 3/8" FIP X 3/8" OD COMP W/ ESCUTCHEON	026613153056	79.92
HR15ZX C	HP SUPPLY STOP - ANGLE - 3/8" FIP X 3/8" OD COMP	026613149660	31.54
HR1712AZX C	FAUCET HP SUPPLY KIT - ANGLE - 1/2" FIP X 3/8" OD COMP W/ ESCUTCHEON	026613153063	79.92
HR17ZX C	HP SUPPLY STOP - ANGLE - 1/2" FIP X 3/8" OD COMP	026613154251	31.54
HR1912AX C	FAUCET HP SUPPLY KIT - ANGLE - 1/2" NOM SWEAT X 3/8" OD COMP W/ ESCUTCHEON	026613153070	80.36
HR1912DLX C	TOILET HP SUPPLY KIT - ANGLE - 1/2" NOM SWEAT X 3/8" OD COMP W/ ESCUTCHEON	026613157580	41.01
HR19X C	HP SUPPLY STOP - ANGLE - 1/2" NOM SWEAT X 3/8" OD COMP	026613149677	32.36
HR37ZX C	HP SUPPLY STOP - ANGLE - 1/2" FIP X 1/2" OD COMP	026613149684	49.31
HS3651X C	TOILET HP SUP. KIT W/ 5 -1/2" EXT. NIP. - ANG - 3/8" FIP W/ 5" EXT. X 3/8" FIP W/ LOOSE KEY, STUFF. BOX, AND ESCUT.	026613155234	125.37
HSCR1912AX C	FAUCET HP SUPPLY KIT - ANGLE - 1/2" NOM COMP X 3/8" OD COMP W/ LOOSE KEY, ESCUT.	026613153087	94.99
HSCR1912DLX C	TOILET HP SUPPLY KIT - ANGLE - 1/2" NOM COMP X 3/8" OD COMP W/ LOOSE KEY, ESCUT.	026613154619	48.37
HSCR19X C	HP SUPPLY STOP - ANGLE - 1/2" NOM COMP X 3/8" OD COMP W/ LOOSE KEY	026613141978	40.25
HSCR39X C	HP SUPPLY STOP - ANGLE - 1/2" NOM COMP X 1/2" OD COMP W/ LOOSE KEY	026613149691	42.30
HSCS400AX C	FAUCET HP SUP. KIT W/ 5" SWT EXT. - ANG - 1/2" NOM SWT W/ 5" EXT. X 3/8" OD COMP W/ LOOSE KEY, BELL ESCUT.	026613153094	151.12
HSCS46BX C	HP SUPPLY STOP - ANG - 1/2" NOM SWT W/ 5" EXT. X 1/2" OD COMP W/ LOOSE KEY, BELL ESCUT.	026613149707	80.33
HSR15X C	HP SUPPLY STOP - ANGLE - 3/8" FIP X 3/8" OD COMP W/ LOOSE KEY	026613149714	37.47
HSR1712AX C	FAUCET HP SUPPLY KIT - ANGLE - 1/2" FIP X 3/8" OD COMP W/ LOOSE KEY, ESCUT.	026613153100	90.40

NOTE: Actual riser length to connect less 1/2"

For product availability please refer to "Wholesale 2013 Compliant Conversion Plan - Product Availability List" on ROA.

Product offering, availability & pricing are subject to change. Please contact BrassCraft Customer Service toll-free at 877-272-7755 for verification or ROA access.

Terms: BrassCraft terms and conditions can be found at [www.brasscraft.com](http://www.brasscraft.com)

<b>Part Number</b>	<b>Description</b>	<b>Item UPC</b>	<b>List Price EA</b>
HSR1712DLX C	TOILET HP SUPPLY KIT - ANGLE - 1/2" FIP X 3/8" OD COMP W/ LOOSE KEY, ESCUT.	026613157566	46.11
HSR17X C	HP SUPPLY STOP - ANGLE - 1/2" FIP X 3/8" OD COMP W/ LOOSE KEY	026613141961	37.47
HSR19X C	HP SUPPLY STOP - ANGLE - 1/2" NOM SWEAT X 3/8" OD COMP W/ LOOSE KEY	026613149721	40.24
HSR3512AX C	FAUCET HP SUPPLY KIT - ANGLE - 3/8" FIP X 1/2" OD COMP W/ LOOSE KEY, ESCUTC.	026613153124	120.84
HSR3712AX C	FAUCET HP SUPPLY KIT - ANGLE - 1/2" FIP X 1/2" OD COMP W/ LOOSE KEY, ESCUT.	026613153131	119.97
HSR3712DLX C	TOILET HP SUPPLY KIT - ANGLE - 1/2" FIP X 1/2" OD COMP W/ LOOSE KEY, ESCUT.	026613157573	60.46
HSR37X C	HP SUPPLY STOP - ANGLE - 1/2" FIP X 1/2" OD COMP W/ LOOSE KEY	026613149738	55.25
HSR87X C	HP SUPPLY STOP - ANGLE - 1/2" FIP X 1/2" FIP W/ LOOSE KEY	026613149745	59.76
HSSTR15X C	HP SUPPLY STOP - ANGLE - 3/8" FIP X 3/8" OD COMP W/ SCREW DRIVER SLOT, LOCK SHIELD	026613149769	44.17
HSTR1720AX C	FAUCET HP SUPPLY KIT - ANGLE - 1/2" FIP X 3/8" OD COMP W/ LOOSE KEY	026613153148	105.90
HTCR19ZX C	HP SUPPLY STOP - ANGLE - 1/2" NOM COMP X 3/8" OD COMP	026613154268	40.76
KT15-9 C	MULTI-TURN SUPPLY STOP COMPONENTS - SCREW FOR KT BALL STOP HANDLE	026613107806	.89
KT3301X C	1/4 TURN BALL SUPPLY STOP - ANGLE - 1/2" FIP X 7/16" OD & 1/2" SLIP-JOINT	026613137056	16.77
KT3301X C1	1/4 TURN BALL SUPPLY STOP - ANGLE - 1/2" FIP X 7/16" OD & 1/2" SLIP-JOINT	026613144832	17.59
KT3341X C	1/4 TURN BALL SUPPLY STOP - ANGLE - 1/2" NOM COMP X 7/16" & 1/2" SLIP-JOINT	026613138848	18.66
KT3341X C1	1/4 TURN BALL SUPPLY STOP - ANGLE - 1/2" NOM COMP X 7/16" & 1/2" SLIP-JOINT	026613144788	19.77
KT3345X C	1/4 TURN BALL SUPPLY STOP - STRAIGHT - 1/2" NOM COMP X 7/16" & 1/2" SLIP-JOINT	026613138794	34.97
KT3345X C1	1/4 TURN BALL SUPPLY STOP - STRAIGHT - 1/2" NOM COMP X 7/16" & 1/2" SLIP-JOINT	026613144719	37.08
KTBRPX14X C	1/4 TURN BALL SUPPLY STOP - ANGLE - 1/2" NOM BARB X 3/8" OD COMP	026613150055	23.30
KTBRPX1901DVX R	1/4 TURN DUAL OUTLET/SHUT-OFF STOP - ANG - 1/2" NOM BARB X 3/8" OD COMP X 3/8" OD COMP		42.48
KTBRPX19X C	1/4 TURN BALL SUPPLY STOP - ANGLE - 1/2" NOM BARB X 3/8" OD COMP	026613150062	22.05
KTBRPX44X C	1/4 TURN BALL SUPPLY STOP - STRAIGHT - 1/2" NOM BARB X 1/2" NOM BARB	026613136745	30.47
KTBRPX44X R	1/4 TURN BALL SUPPLY STOP - STRAIGHT - 1/2" NOM BARB X 1/2" NOM BARB	026613144863	29.03
KTCR04X R	1/4 TURN BALL SUPPLY STOP - STRAIGHT - 1/2" NOM COMP X 1/4" OD COMP	026613153155	36.10
KTCR09X C	1/4 TURN BALL SUPPLY STOP - ANGLE - 1/2" NOM COMP X 1/4" OD COMP	026613135595	27.61
KTCR09X C1	1/4 TURN BALL SUPPLY STOP - ANGLE - 1/2" NOM COMP X 1/4" OD COMP	026613144795	29.00
KTCR09X R	1/4 TURN BALL SUPPLY STOP - ANGLE - 1/2" NOM COMP X 1/4" OD COMP	026613135601	18.99
KTCR11FX C	1/4 TURN BALL SUPPLY STOP - STRAIGHT - 1/4" NOM COMP X 3/8" OD COMP	026613142371	27.14
KTCR11FX C1	1/4 TURN BALL SUPPLY STOP - STRAIGHT - 1/4" NOM COMP X 3/8" OD COMP	026613142494	28.54
KTCR11X C	1/4 TURN BALL SUPPLY STOP - STRAIGHT - 1/4" NOM COMP X 3/8" OD COMP	026613150093	31.34
KTCR14X C	1/4 TURN BALL SUPPLY STOP - STRAIGHT - 1/2" NOM COMP X 3/8" OD COMP	026613138626	19.80
KTCR14X C1	1/4 TURN BALL SUPPLY STOP - STRAIGHT - 1/2" NOM COMP X 3/8" OD COMP	026613144764	20.83
KTCR1900DVX R	1/4 TURN DUAL OUTLET/SHUT-OFF STOP - ANG - 1/2" NOM COMP X 3/8" OD COMP X 1/4" OD COMP	026613137988	55.09
KTCR1900DVX R1	1/4 TURN DUAL OUTLET/SHUT-OFF STOP - ANG - 1/2" NOM COMP X 3/8" OD COMP X 1/4" OD COMP	026613142876	57.84
KTCR1901DVX R	1/4 TURN DUAL OUTLET/SHUT-OFF STOP - ANG - 1/2" NOM COMP X 3/8" OD COMP X 3/8" OD COMP	026613150123	59.19
KTCR1901DVX R	1/4 TURN DUAL OUTLET/SHUT-OFF STOP - ANG - 1/2" NOM COMP X 3/8" OD COMP X 3/8" OD COMP	026613137995	57.19
KTCR1901DVX R1	1/4 TURN DUAL OUTLET/SHUT-OFF STOP - ANGLE - 1/2" NOM COMP X 3/8" OD COMP X 3/8" OD COMP	026613142869	60.03
KTCR1901X R1	1/4 TURN DUAL OUTLET SUPPLY STOP - 1/2" NOM COMP X 3/8" OD COMP X 3/8" OD COMP	026613150116	37.62
KTCR19B12AX C	FAUCET 1/4 TURN FLX SUP. KIT - ANG/POLY BRD CONN. - 1/2" NOM COMP X 3/8" OD COMP 3/8" COMP X 1/2" FIP X 12"	026613153162	41.87
KTCR19B12DLMX C	TOILET 1/4 TURN FLX SUP. KIT - ANG/POLY BRD CONN. - 1/2" NOM COMP X 3/8" OD COMP W/ METAL NUT 3/8" COMP X 7/8" BALLCOCK X 12"	026613155043	38.77
KTCR19B12DLX C	TOILET 1/4 TURN FLX SUP. KIT - ANG/POLY BRD CONN. - 1/2" NOM COMP X 3/8" OD COMP 3/8" COMP X 7/8" BALLCOCK X 12"	026613154800	39.58
KTCR19B16AX C	FAUCET 1/4 TURN FLX SUP. KIT - ANG/BRD CONN. - 1/2" NOM COMP X 3/8" OD COMP 3/8" COMP X 1/2" FIP X 16"	026613140100	42.32
KTCR19B20AX C	FAUCET 1/4 TURN FLX SUP. KIT - ANG/POLY BRD CONN. - 1/2" NOM COMP X 3/8" OD COMP 3/8" COMP X 1/2" FIP X 20"	026613140094	44.31
KTCR19X C	1/4 TURN BALL SUPPLY STOP - ANGLE - 1/2" NOM COMP X 3/8" OD COMP	026613138688	18.73
KTCR19X C1	1/4 TURN BALL SUPPLY STOP - ANGLE - 1/2" NOM COMP X 3/8" OD COMP	026613144801	19.67
KTCR34X C	1/4 TURN BALL SUPPLY STOP - STRAIGHT - 1/2" NOM COMP X 1/2" OD COMP	026613150130	33.51

NOTE: Actual riser length to connect less 1/2"

For product availability please refer to "Wholesale 2013 Compliant Conversion Plan - Product Availability List" on ROA.

Product offering, availability & pricing are subject to change. Please contact BrassCraft Customer Service toll-free at 877-272-7755 for verification or ROA access.

Terms: BrassCraft terms and conditions can be found at [www.brasscraft.com](http://www.brasscraft.com)

Part Number	Description	Item UPC	List Price EA
KTCR39X C	1/4 TURN BALL SUPPLY STOP - ANGLE - 1/2" NOM COMP X 1/2" OD COMP	026613138367	19.80
KTCS400AX C	FAUCET 1/4 TURN SUP. KIT W/ 5" SWT. EXT. - ANG/RISER - 1/2" NOM SWEAT X 3/8" OD COMP X 12"	026613153179	99.49
KTCS401DLX C	TOILET 1/4 TURN SUP. KIT W/ 5" SWT EXT. - ANG/RISER - 1/2" NOM SWEAT X 3/8" OD COMP X 12"	026613154794	50.70
KTCS403DLX C	TOILET 1/4 TURN SUP. KIT W/ 5" SWT EXT. - ANG/RISER - 1/2" NOM SWEAT X 3/8" OD COMP X 12"	026613154992	63.39
KTCS40BX C	1/4 TURN BALL STOP - ANGLE - 1/2" NOM SWEAT X 3/8" OD COMP W/ 5" EXT. AND BELL ESCUT.	026613138350	41.91
KTCS40X C	1/4 TURN BALL STOP - ANGLE - 1/2" NOM SWEAT X 3/8" OD COMP W/ 5" EXT.	026613136738	41.74
KTCS41BX C	1/4 TURN BALL STOP - STRAIGHT - 1/2" NOM SWEAT X 3/8" OD COMP W/ 5" EXT. AND BELL ESCUT.	026613144740	45.71
KTCS41X C	1/4 TURN BALL STOP - STRAIGHT - 1/2" NOM SWEAT X 3/8" OD COMP W/ 5" EXT. AND BELL ESCUT.	026613157863	45.51
KTPR04X R	1/4 TURN BALL SUPPLY STOP - STRAIGHT - 3/8" NOM CPVC X 1/4" OD COMP	026613150147	41.86
KTPR14X C	1/4 TURN BALL SUPPLY STOP - STRAIGHT - 1/2" NOM CPVC X 3/8" OD COMP	026613138664	33.57
KTPR14X C1	1/4 TURN BALL SUPPLY STOP - STRAIGHT - 1/2" NOM CPVC X 3/8" OD COMP	026613144771	35.24
KTPR19X C	1/4 TURN BALL SUPPLY STOP - ANGLE - 1/2" NOM CPVC X 3/8" OD COMP	026613138374	32.02
KTPR19X C1	1/4 TURN BALL SUPPLY STOP - ANGLE - 1/2" NOM CPVC X 3/8" OD COMP	026613144818	33.62
KTR04X R	1/4 TURN BALL SUPPLY STOP - STRAIGHT - 1/2" NOM SWEAT X 1/4" OD COMP	026613137612	21.41
KTR07X C	1/4 TURN BALL SUPPLY STOP - ANGLE - 1/2" FIP X 1/4" OD COMP	026613138053	22.79
KTR09X C	1/4 TURN BALL SUPPLY STOP - ANGLE - 1/2" NOM SWEAT X 1/4" OD COMP	026613150154	22.31
KTR10X C	1/4 TURN BALL SUPPLY STOP - STRAIGHT - 3/8" FIP X 3/8" OD COMP	026613144535	18.04
KTR12X C	1/4 TURN BALL SUPPLY STOP - STRAIGHT - 1/2" FIP X 3/8" OD COMP	026613137841	18.04
KTR12X C1	1/4 TURN BALL SUPPLY STOP - STRAIGHT - 1/2" FIP X 3/8" OD COMP	026613144900	18.92
KTR14X C	1/4 TURN BALL SUPPLY STOP - STRAIGHT - 1/2" NOM SWEAT X 3/8" OD COMP	026613144870	18.73
KTR14X C1	1/4 TURN BALL SUPPLY STOP - STRAIGHT - 1/2" NOM SWEAT X 3/8" OD COMP	026613135991	19.67
KTR14X R	1/4 TURN BALL SUPPLY STOP - STRAIGHT - 1/2" NOM SWEAT X 3/4" OD COMP	026613144887	16.18
KTR15X C	1/4 TURN BALL SUPPLY STOP - ANGLE - 1/2" FIP X 1/2" OD COMP	026613142333	17.19
KTR15X C1	1/4 TURN BALL SUPPLY STOP - ANGLE - 3/8" FIP X 3/8" OD COMP	026613144825	18.04
KTR17X C	1/4 TURN BALL SUPPLY STOP - ANGLE - 1/2" FIP X 3/8" OD COMP	026613138718	17.19
KTR17X C1	1/4 TURN BALL SUPPLY STOP - ANGLE - 1/2" FIP X 3/8" OD COMP	026613144849	18.04
KTR19X C	1/4 TURN BALL SUPPLY STOP - ANGLE - 1/2" NOM SWEAT X 3/8" OD COMP	026613144528	17.30
KTR19X C1	1/4 TURN BALL SUPPLY STOP - ANGLE - 1/2" NOM SWEAT X 3/8" OD COMP	026613136103	18.15
KTR19X R	1/4 TURN BALL SUPPLY STOP - ANGLE - 1/2" NOM SWEAT X 3/8" OD COMP	026613144856	14.68
KTR37X C	1/4 TURN BALL SUPPLY STOP - ANGLE - 1/2" FIP X 1/2" OD COMP	026613138060	26.27
KTS15SX-2+3	LSE KEY RETRO-FIT KIT REPAIR/REPLC. KIT; KEY ADAPTOR, LOCK SHIELD AND REPLC. SCREW	026613157719	6.51
KTSCR19X C	1/4 TURN BALL SUPPLY STOP W/ LOOSE KEY - ANGLE - 1/2" NOM COMP X 3/8" OD COMP	026613136820	29.33
KTSCR39X C	1/4 TURN BALL SUPPLY STOP W/ LOOSE KEY - ANGLE - 1/2" NOM COMP X 1/2" OD COMP	026613153186	30.42
KTSCS400AX C	1/4 TURN BALL SUP. STOP W/ LOOSE KEY - ANG - 1/2" NOM SWEAT X 3/8" OD COMP X 12" RISER W/ 5" EXT., BELL ESCUT., LOOSE KEY	026613153193	133.67
KTSCS401DLX C	1/4 TURN BALL SUPPLY STOP W/ LOOSE KEY - ANG - 1/2" NOM SWEAT X 3/8" OD COMP X 12" RISER W/ 5" EXT., BELL ESCUT., LOOSE KEY	026613155050	67.90
KTSCS40BX C	1/4 TURN BALL SUP. STOP W/ LOOSE KEY - ANG - 1/2" NOM SWEAT X 3/8" OD COMP W/ BELL ESCUT., LOOSE KEY	026613150161	52.52
KTSR14X C	1/4 TURN BALL SUPPLY STOP W/ LOOSE KEY - STRAIGHT - 1/2" NOM SWEAT X 3/8" OD COMP	026613153209	29.33
KTSR15X C	1/4 TURN BALL SUPPLY STOP W/ LOOSE KEY - ANGLE - 3/8" FIP X 3/8" OD COMP	026613150178	27.79
KTSR17X C	1/4 TURN BALL SUPPLY STOP W/ LOOSE KEY - ANGLE - 1/2" FIP X 3/8" OD COMP	026613138077	27.79
KTSR19X C	1/4 TURN BALL SUPPLY STOP W/ LOOSE KEY - ANGLE - 1/2" NOM SWEAT X 3/8" OD COMP	026613150185	27.90
LKC	STOP COMPONENTS - CAP FOR MULTI-TURN & KT SERIES LOOSE KEY/SCREWDRIVER SLOT STOPS	026613051215	1.74
NEV3-C1X	NEEDLE VALVE - ANGLE 1/4" OD COMP X 1/8" MIP W/ EXTENSION	026613150215	9.41
NSWN-1 C	CPVC SOLVENT WELD COMPONENTS - 1/2" NOM NUT	026613058382	5.06
NSWN-1 R	CPVC SOLVENT WELD COMPONENTS - 1/2" NOM NUT	026613058399	4.86
NSWN-2 C	CPVC SOLVENT WELD COMPONENTS - 3/4" NOM NUT	026613093871	8.83
NSWRA1	CPVC SOLVENT WELD COMPONENTS - 1/2" NOM INSERT AND SEAL	026613041360	2.52

NOTE: Actual riser length to connect less 1/2"

For product availability please refer to "Wholesale 2013 Compliant Conversion Plan - Product Availability List" on ROA.

Product offering, availability & pricing are subject to change. Please contact BrassCraft Customer Service toll-free at 877-272-7755 for verification or ROA access.

Terms: BrassCraft terms and conditions can be found at [www.brasscraft.com](http://www.brasscraft.com)

Part Number	Description	Item UPC	List Price EA
NV104-4-2X	NEEDLE VALVE - ANGLE 1/4" OD COMP X 1/8" MIP	026613150222	7.51
NV104-5-2X	NEEDLE VALVE - ANGLE 5/16" OD COMP X 1/8" MIP	026613150239	12.43
NV104-EE1X K1	HUMIDIFIER VALVE - ICE MAKER KIT3/8" OD COMP X 3/8" OD COMP X 1/4" OD COMP	026613153223	15.60
NV105-4X	COMPRESSION X COMPRESSION NEEDLE VALVE1/4" OD COMP X 1/4" OD COMP	026613137490	11.19
NV105-6X	COMPRESSION X COMPRESSION NEEDLE VALVE3/8" OD COMP X 3/8" OD COMP	026613137483	15.83
NV106-4-2X	NEEDLE VALVE - STRAIGHT1/4" OD COMP X 1/8" MIP	026613150277	11.84
O3301X C	MULTI-TURN SUPPLY STOP - ANGLE - 1/2" FIP X 7/16" OD & 1/2" SLIP-JOINT	026613138657	15.37
O3301X C1	MULTI-TURN SUPPLY STOP - ANGLE - 1/2" FIP X 7/16" OD & 1/2" SLIP-JOINT	026613135861	16.15
O3301X R	MULTI-TURN SUPPLY STOP - ANGLE - 1/2" FIP X 7/16" OD & 1/2" SLIP-JOINT	026613138701	14.48
O3305X C	MULTI-TURN SUPPLY STOP - STRAIGHT - 1/2" FIP X 7/16" OD & 1/2" SLIP-JOINT	026613138770	17.07
O3305X C1	MULTI-TURN SUPPLY STOP - STRAIGHT - 1/2" FIP X 7/16" OD & 1/2" SLIP-JOINT	026613136035	17.94
O3341X C	MULTI-TURN SUPPLY STOP - ANGLE - 1/2" NOM COMP X 7/16" & 1/2" SLIP-JOINT	026613138671	17.04
O3341X C1	MULTI-TURN SUPPLY STOP - ANGLE - 1/2" NOM COMP X 7/16" & 1/2" SLIP-JOINT	026613135878	17.93
O3341X R	MULTI-TURN SUPPLY STOP - ANGLE - 1/2" NOM COMP X 7/16" & 1/2" SLIP-JOINT	026613138749	16.06
O3345X C	MULTI-TURN SUPPLY STOP - STRAIGHT - 1/2" NOM COMP X 7/16" & 1/2" SLIP-JOINT	026613137940	32.02
O3345X C1	MULTI-TURN SUPPLY STOP - STRAIGHT - 1/2" NOM COMP X 7/16" & 1/2" SLIP-JOINT	026613136028	33.59
OCR09X C	MULTI-TURN SUPPLY STOP - ANGLE - 1/2" NOM COMP X 1/4" OD COMP	026613135274	25.27
OCR09X C1	MULTI-TURN SUPPLY STOP - ANGLE - 1/2" NOM COMP X 1/4" OD COMP	026613135298	26.53
OCR09X R	MULTI-TURN SUPPLY STOP - ANGLE - 1/2" NOM COMP X 1/4" OD COMP	026613135267	21.45
OCR11X C	MULTI-TURN SUPPLY STOP - STRAIGHT - 1/4" NOM COMP X 3/8" OD COMP	026613153230	28.69
OCR11X C1	MULTI-TURN SUPPLY STOP - STRAIGHT - 1/4" NOM COMP X 3/8" OD COMP	026613141954	30.16
OCR11X R	MULTI-TURN SUPPLY STOP - STRAIGHT - 1/4" NOM COMP X 3/8" OD COMP	026613153247	24.35
OCR1412DLX C	TOILET MULTI-TURN SUPPLY KIT - STRAIGHT/RISER - 1/2" NOM COMP X 3/8" OD COMP X 12"	026613154718	32.67
OCR14PXX C	MULTI-TURN SUPPLY STOP - STRAIGHT - 1/2" NOM COMP X 3/8" OD COMP W/ PEX TUBE INSERT	026613150321	18.12
OCR14X BZ	SPF MULTI-TURN SUPPLY STOP - STRAIGHT - 1/4" NOM COMP X 3/8" OD COMP	026613150284	56.77
OCR14X C	MULTI-TURN SUPPLY STOP - STRAIGHT - 1/2" NOM COMP X 3/8" OD COMP	026613136981	18.12
OCR14X C1	MULTI-TURN SUPPLY STOP - STRAIGHT - 1/2" NOM COMP X 3/8" OD COMP	026613135977	19.03
OCR14X NP	SPF MULTI-TURN SUPPLY STOP - STRAIGHT - 1/2" NOM COMP X 3/8" OD COMP	026613150291	56.77
OCR14X NS	SPF MULTI-TURN SUPPLY STOP - STRAIGHT - 1/2" NOM COMP X 3/8" OD COMP	026613150307	56.77
OCR14X P	SPF MULTI-TURN SUPPLY STOP - STRAIGHT - 1/2" NOM COMP X 3/8" OD COMP	026613150314	56.77
OCR14X R	MULTI-TURN SUPPLY STOP - STRAIGHT - 1/2" NOM COMP X 3/8" OD COMP	026613138084	17.04
OCR14X R1	MULTI-TURN SUPPLY STOP - STRAIGHT - 1/2" NOM COMP X 3/8" OD COMP	026613136004	17.93
OCR1912AX C	FAUCET MT SUPPLY KIT - ANGLE STOP/RISER - 1/2" NOM COMP X 3/8" OD COMP X 12"	026613140193	61.76
OCR1912AX R	FAUCET MT SUPPLY KIT - ANGLE STOP/RISER - 1/2" NOM COMP X 3/8" OD COMP X 12"	026613153254	52.27
OCR1912DEX C	TOILET MT SUPPLY KIT - ANGLE/RISER - 1/2" NOM COMP X 3/8" OD COMP X 12"	026613154978	31.51
OCR1912DLX BZ	SPF TOILET SUP. KIT - 1/4 TURN - ANG - 1/2" NOM COMP X 3/8" OD COMP W/ SHALL. ESCUT. X 12"	026613154770	86.10
OCR1912DLX C	TOILET MULTI-TURN SUPPLY KIT - ANGLE/RISER - 1/2" NOM COMP X 3/8" OD COMP X 12"	026613154817	31.52
OCR1912DLX NS	SPF TOILET SUP. KIT - 1/4 TURN - ANG- 1/2" NOM COMP X 3/8" OD COMP W/ SHALL. ESCUT. X 12"	026613154787	86.10
OCR1912EX C	TOILET MULTI-TURN SUPPLY KIT - ANG/RISER - 1/2" NOM COMP X 3/8" OD COMP X 12"	026613154985	31.51
OCR1912KCX C	FAUCET MT SUPPLY KIT W/ KC NOSEPIECE - ANG/RISER - 1/2" NOM COMP X 3/8" OD COMP X 12"	026613153261	67.50
OCR1912KCX R	FAUCET MT SUPPLY KIT W/ KC NOSEPIECE - ANG/RISER - 1/2" NOM COMP X 3/8" OD COMP X 12"	026613153278	59.82
OCR1915AX C	FAUCET MT SUPPLY KIT - ANG/RISER - 1/2" NOM COMP X 3/8" OD COMP X 15"	026613140209	65.69
OCR1920AX BZ	SPF FAUCET 1/4 TURN SUP. KIT - ANG/RISER - 1/2" NOM COMP X 3/8" OD COMP W/ SHALLOW ESCUT. X 20"	026613150376	172.20
OCR1920AX C	FAUCET MT SUPPLY KIT - ANG/RISER - 1/2" NOM COMP X 3/8" OD COMP X 20"	026613140216	69.57
OCR1920AX NS	SPF FAUCET 1/4 TURN SUP. KIT - ANG- 1/2" NOM COMP X 3/8" OD COMP W/ SHALLOW ESCUT. X 20"	026613150383	172.20
OCR1920CX C	FAUCET MULTI-TURN SUP. KIT - ANG/RISER - 1/2" NOM COMP X 3/8" OD COMP X 20"	026613153292	69.57

NOTE: Actual riser length to connect less 1/2"

For product availability please refer to "Wholesale 2013 Compliant Conversion Plan - Product Availability List" on ROA.

Product offering, availability & pricing are subject to change. Please contact BrassCraft Customer Service toll-free at 877-272-7755 for verification or ROA access.

Terms: BrassCraft terms and conditions can be found at [www.brasscraft.com](http://www.brasscraft.com)

Part Number	Description	Item UPC	List Price EA
OCR1920DLX BZ	SPF TOILET 1/4 TURN -SUP. KIT - ANG- 1/2" NOM COMP X 3/8" OD COMP W/ SHALL. ESCUT. X 20"	026613154695	93.28
OCR1920DLX C	TOILET MULTI-TURN SUPPLY KIT - ANGLE/RISER - 1/2" NOM COMP X 3/8" OD COMP X 20"	026613154886	36.01
OCR1920DLX NS	SPF TOILET 1/4 TURN SUP. KIT - ANG - 1/2" NOM COMP X 3/8" OD COMP W/ SHALL. ESCUT. X 20"	026613154701	93.28
OCR19B120DLMX C	TOILET MT ONE-PC SUPPLY - ANG/POLY BRD CONN. - 1/2" NOM COMP X 7/8" BALLCOCK W/ METAL NUT X 12"	026613155296	28.11
OCR19B120DLX C	TOILET MT ONE-PC SUPPLY - ANG/POLY BRD CONN. - 1/2" NOM COMP X 7/8" BALLCOCK X 12"	026613155265	26.35
OCR19B12AX C	FAUCET MT FLX SUP. KIT - ANG/POLY BRD CONN. - 1/2" NOM COMP X 3/8" OD COMP 3/8" COMP X 1/2" FIP X 12"	026613153308	31.12
OCR19B12DLMX C	TOILET MT FLX SUP. KIT - ANG/POLY BRD CONN. - 1/2" NOM COMP X 3/8" OD COMP W/ METAL NUT 3/8" COMP X 7/8" BALLCOCK X 12"	026613155067	34.47
OCR19B12DLX C	TOILET MULTI-TURN FLX SUP. KIT - ANG/POLY BRD CONN. - 1/2" NOM COMP X 3/8" OD COMP 3/8" COMP X 7/8" BALLCOCK X 12"	026613154831	31.12
OCR19B160AX C	FAUCET MT ONE-PC SUPPLY - ANG/POLY BRD CONN. - 1/2" NOM COMP X 1/2" FIP X 16"	026613153315	55.20
OCR19B160KCX C	FAUCET MT ONE-PC SUPPLY - ANG/POLY BRD CONN. - 1/2" NOM COMP X 3/8" OD COMP X 16"	026613153322	59.14
OCR19B16AX C	FAUCET MT FLX SUP. KIT - ANG/POLY BRD CONN. - 1/2" NOM COMP X 3/8" OD COMP 3/8" COMP X 1/2" FIP X 16"	026613140148	32.44
OCR19B16DLX C	TOILET MT FLX SUP. KIT - ANG/POLY BRD CONN. - 1/2" NOM COMP X 3/8" OD COMP 3/8" COMP X 7/8" BALLCOCK X 16"	026613154725	32.44
OCR19B200AX C	FAUCET MT ONE-PC SUPPLY - ANG/POLY BRD CONN.- 1/2" NOM COMP X 1/2" FIP X 20"	026613153339	55.98
OCR19B200KCX C	FAUCET MT ONE-PC SUPPLY - ANG/POLY BRD CONN.- 1/2" NOM COMP X 3/8" OD COMP X 20"	026613153346	60.00
OCR19B20AX C	FAUCET MT FLX SUPPLY KIT - ANG/POLY BRD CONN.- 1/2" NOM COMP X 3/8" OD COMP 3/8" COMP X 1/2" FIP X 20"	026613140124	34.96
OCR19B600DW6 C	DISHWASHER MULTI-TURN ONE-PC SUPPLY - ANGLE STOP/POLY BRD CONN. -1/2" NOM COMP X 3/8" OD COMP X 60"	026613105772	65.15
OCR19B720DW6 C	DISHWASHER MULTI-TURN ONE-PC SUPPLY - ANGLE STOP/POLY BRD CONN. -1/2" NOM COMP X 3/8" OD COMP X 72"	026613105802	73.04
OCR19B90DLX C	TOILET MT ONE-PC SUPPLY - ANG/POLY BRD CONN.- 1/2" NOM COMP X 7/8" BALLCOCK X 9"	026613157498	26.20
OCR19PXX C	MULTI-TURN SUPPLY STOP - ANGLE - 1/2" NOM COMP X 3/8" OD COMP W/ PEX TUBE INSERT	026613139661	17.13
OCR19PXX R	MULTI-TURN SUPPLY STOP - ANGLE - 1/2" NOM COMP X 3/8" OD COMP W/ PEX TUBE INSERT	026613153353	16.24
OCR19V120DLX C	TOILET MT ONE-PC SUPPLY - ANG/VINYL CONN. - 1/2" NOM COMP X 7/8" BALLCOCK X 12"	026613155357	18.71
OCR19V160AX C	FAUCET MT ONE-PC SUPPLY - ANG/VINYL CONN. - 1/2" NOM COMP X 1/2" FIP X 16"	026613153360	39.05
OCR19V200AX C	FAUCET MT ONE-PC SUPPLY - ANG/VINYL CONN. - 1/2" NOM COMP X 1/2" FIP X 16"	026613153377	41.89
OCR19V600DW6 C	DISH MT ONE-PC SUPPLY - ANG/VINYL CONN. - 1/2" NOM COMP X 3/8" OD COMP X 60"	026613105598	40.97
OCR19V720DW6 C	DISH MT ONE-PC SUPPLY - ANG/VINYL CONN. - 1/2" NOM COMP X 3/8" OD COMP X 72"	026613105611	44.44
OCR19V90DLX C	TOILET MT ONE-PC SUPPLY - ANG/VINYL CONN. - 1/2" NOM COMP X 7/8" BALLCOCK X 9"	026613155364	18.58
OCR19X BZ	SPF MULTI-TURN SUPPLY STOP - ANGLE - 1/2" NOM COMP X 3/8" OD COMP	026613150338	48.66
OCR19X C	MULTI-TURN SUPPLY STOP - ANGLE - 1/2" NOM COMP X 3/8" OD COMP	026613135113	17.13
OCR19X C1	MULTI-TURN SUPPLY STOP - ANGLE - 1/2" NOM COMP X 3/8" OD COMP	026613135786	17.99
OCR19X NP	SPF MULTI-TURN SUPPLY STOP - ANGLE - 1/2" NOM COMP X 3/8" OD COMP	026613150345	48.66
OCR19X NS	SPF MULTI-TURN SUPPLY STOP - ANGLE - 1/2" NOM COMP X 3/8" OD COMP	026613150352	48.66
OCR19X P	SPF MULTI-TURN SUPPLY STOP - ANGLE - 1/2" NOM COMP X 3/8" OD COMP	026613150369	48.66
OCR19X R	MULTI-TURN SUPPLY STOP - ANGLE - 1/2" NOM COMP X 3/8" OD COMP	026613137445	16.22
OCR19X R1	MULTI-TURN SUPPLY STOP - ANGLE - 1/2" NOM COMP X 3/8" OD COMP	026613135762	17.03
OCR1BX C	MULTI-TURN SUPPLY STOP - ANGLE - 3/8" NOM COMP X 3/8" OD COMP	026613150413	29.33
OCR29X C	MULTI-TURN SUPPLY STOP - ANGLE - 1/2" NOM COMP X 7/16" OD COMP	026613138558	26.66
OCR29X C1	MULTI-TURN SUPPLY STOP - ANGLE - 1/2" NOM COMP X 7/16" OD COMP	026613135984	28.00
OCR29X R	MULTI-TURN SUPPLY STOP - ANGLE - 1/2" NOM COMP X 7/16" OD COMP	026613138602	23.17
OCR34X C	MULTI-TURN SUPPLY STOP - STRAIGHT - 1/2" NOM COMP X 1/2" OD COMP	026613138428	30.65
OCR34X C1	MULTI-TURN SUPPLY STOP - STRAIGHT - 1/2" NOM COMP X 1/2" OD COMP	026613135946	32.23
OCR34X R	MULTI-TURN SUPPLY STOP - STRAIGHT - 1/2" NOM COMP X 1/2" OD COMP	026613138435	27.76
OCR3912AX C	FAUCET MT SUPPLY KIT - ANG/RISER - 1/2" NOM COMP X 1/2" OD COMP X 12"	026613153407	71.33
OCR3912DLX C	TOILET MT SUPPLY KIT - ANG/RISER - 1/2" NOM COMP X 1/2" OD COMP X 12"	026613154596	38.74
OCR3920AX C	FAUCET MT SUPPLY KIT - ANG/RISER - 1/2" NOM COMP X 1/2" OD COMP X 20"	026613153414	84.81
OCR3920AX R	FAUCET MT SUPPLY KIT - ANG/RISER - 1/2" NOM COMP X 1/2" OD COMP X 20"	026613153421	76.56
OCR39X C	MULTI-TURN SUPPLY STOP - ANGLE - 1/2" NOM COMP X 1/2" OD COMP	026613135182	18.12

NOTE: Actual riser length to connect less 1/2"

For product availability please refer to "Wholesale 2013 Compliant Conversion Plan - Product Availability List" on ROA.

Product offering, availability & pricing are subject to change. Please contact BrassCraft Customer Service toll-free at 877-272-7755 for verification or ROA access.

Terms: BrassCraft terms and conditions can be found at [www.brasscraft.com](http://www.brasscraft.com)

<b>Part Number</b>	<b>Description</b>	<b>Item UPC</b>	<b>List Price EA</b>
OCR39X C1	MULTI-TURN SUPPLY STOP - ANGLE - 1/2" NOM COMP X 1/2" OD COMP	026613135212	19.03
OCR39X R	MULTI-TURN SUPPLY STOP - ANGLE - 1/2" NOM COMP X 1/2" OD COMP	026613135205	17.04
OCR3AX C	MULTI-TURN SUPPLY STOP - STRAIGHT - 3/8" NOM COMP X 1/2" OD COMP	026613150437	41.42
OCR3BX C	MULTI-TURN SUPPLY STOP - ANGLE - 3/8" NOM COMP X 1/2" OD COMP	026613150451	39.23
OCR44PXX R	MULTI-TURN SUPPLY STOP - STRAIGHT - 1/2" NOM COMP X 3/8" OD COMP W/PEX TUBE INSERT	026613150475	26.52
OCR49X C	MULTI-TURN SUPPLY STOP - ANGLE - 1/2" NOM COMP X 5/8" OD COMP	026613150482	45.06
OFCR19X C	MULTI-TURN SUPPLY STOP - ANGLE - 1/2" NOM COMP X 3/8" OD FLARE	026613150499	34.31
OFR12X C	MULTI-TURN SUPPLY STOP - STRAIGHT - 1/2" FIP X 1/2" OD FLARE	026613157726	29.08
OFR15X C	MULTI-TURN SUPPLY STOP - ANGLE - 3/8" FIP X 3/8" OD FLARE	026613153445	26.95
OFR1711EX C	TOILET MT SUPPLY KIT - ANG/RISER - 1/2" FIP X 3/8" OD FLARE X 11"	026613157511	30.07
OFR1717CX C	FAUCET MT SUPPLY KIT - ANG/RISER - 1/2" FIP X 3/8" OD FLARE X 17"	026613153469	60.50
OFR17X C	MULTI-TURN SUPPLY STOP - ANGLE - 1/2" FIP X 3/8" OD FLARE	026613150505	18.54
OFR17X R	MULTI-TURN SUPPLY STOP - ANGLE - 1/2" FIP X 3/8" OD FLARE	026613153452	17.30
OFR37X C	MULTI-TURN SUPPLY STOP - ANGLE - 1/2" FIP X 1/2" OD FLARE	026613150529	29.59
OR07X C	MULTI-TURN SUPPLY STOP - ANGLE - 1/2" FIP X 1/4" OD COMP	026613136844	20.86
OR07X C1	MULTI-TURN SUPPLY STOP - ANGLE - 1/2" FIP X 1/4" OD COMP	026613135939	21.93
OR07X R	MULTI-TURN SUPPLY STOP - ANGLE - 1/2" FIP X 1/4" OD COMP	026613137063	18.12
OR1012DLX C	TOILET MT SUPPLY KIT - STRGHT/RISER - 3/8" FIP X 3/8" OD COMP X 12"	026613154688	30.91
OR10X BZ	SPF MULTI-TURN SUPPLY STOP - STRAIGHT - 3/8" FIP X 3/8" OD COMP	026613150543	56.77
OR10X C	MULTI-TURN SUPPLY STOP - ANGLE - 3/8" FIP X 3/8" OD COMP	026613154275	16.55
OR10X C1	MULTI-TURN SUPPLY STOP - STRAIGHT - 3/8" FIP X 3/8" OD COMP	026613141947	17.36
OR10X NS	SPF MULTI-TURN SUPPLY STOP - STRAIGHT - 3/8" FIP X 3/8" OD COMP	026613150550	56.77
OR10X R	MULTI-TURN SUPPLY STOP - STRAIGHT - 3/8" FIP X 3/8" OD COMP	026613154282	15.56
OR12X BZ	SPF MULTI-TURN SUPPLY STOP - STRAIGHT - 1/2" FIP X 3/8" OD COMP	026613150574	56.77
OR12X C	MULTI-TURN SUPPLY STOP - STRAIGHT - 1/2" FIP X 3/8" OD COMP	026613138442	16.55
OR12X C1	MULTI-TURN SUPPLY STOP - STRAIGHT - 1/2" FIP X 3/8" OD COMP	026613135755	17.36
OR12X NS	SPF MULTI-TURN SUPPLY STOP - STRAIGHT - 1/2" FIP X 3/8" OD COMP	026613150581	56.77
OR12X R	MULTI-TURN SUPPLY STOP - STRAIGHT - 1/2" FIP X 3/8" OD COMP	026613154299	15.56
OR1512AX C	FAUCET MT SUPPLY KIT - ANG/RISER - 3/8" FIP X 3/8" OD COMP X 12"	026613153483	58.50
OR1512DLX C	TOILET MT SUPPLY KIT - ANG/RISER - 3/8" FIP X 3/8" OD COMP X 12"	026613154749	29.88
OR15B20AX C	FAUCET MT FLX SUP. KIT - ANG/POLY BRD CONN. - 3/8" FIP X 3/8" OD COMP 3/8" COMP X 1/2" FIP X 20"	026613153506	35.14
OR15X BZ	SPF MULTI-TURN SUPPLY STOP - ANGLE - 3/8" FIP X 3/8" OD COMP	026613150604	48.66
OR15X C	MULTI-TURN SUPPLY STOP - ANGLE - 3/8" FIP X 3/8" OD COMP	026613137575	15.74
OR15X C1	MULTI-TURN SUPPLY STOP - ANGLE - 3/8" FIP X 3/8" OD COMP	026613135908	16.55
OR15X NP	SPF MULTI-TURN SUPPLY STOP - ANGLE - 3/8" FIP X 3/8" OD COMP	026613150611	48.66
OR15X NS	SPF MULTI-TURN SUPPLY STOP - ANGLE - 3/8" FIP X 3/8" OD COMP	026613150628	48.66
OR15X P	SPF MULTI-TURN SUPPLY STOP - ANGLE - 3/8" FIP X 3/8" OD COMP	026613150635	48.66
OR15X R	MULTI-TURN SUPPLY STOP - ANGLE - 3/8" FIP X 3/8" OD COMP	026613153476	14.70
OR1712AX C	FAUCET MT SUPPLY KIT - ANG/RISER - 1/2" FIP X 3/8" OD COMP X 12"	026613140223	58.50
OR1712DLX C	TOILET MT SUPPLY KIT - ANG/RISER - 1/2" FIP X 3/8" OD COMP X 12"	026613154732	29.88
OR1715AX C	FAUCET MT SUPPLY KIT - ANG/RISER - 1/2" FIP X 3/8" OD COMP X 15"	026613139951	62.07
OR1715DLX C	TOILET MT SUPPLY KIT - ANG/RISER - 1/2" FIP X 3/8" OD COMP X 15"	026613154756	33.17
OR1720AX C	FAUCET MT SUPPLY KIT - ANG/RISER - 1/2" FIP X 3/8" OD COMP X 20"	026613140162	67.63
OR17B12AX C	FAUCET MT FLX SUP. KIT - ANG/POLY BRD CONN. - 1/2" FIP X 3/8" OD COMP 3/8" COMP X 1/2" FIP X 12"	026613157870	27.00
OR17B12DLX C	TOILET MT FLX SUP. KIT - ANG/POLY BRD CONN. - 1/2" FIP X 3/8" OD COMP 3/8" COMP X 7/8" BALLCOCK X 12"	026613154640	27.00
OR17B16AX C	FAUCET MT FLX SUP. KIT - ANG/POLY BRD CONN. - 1/2" FIP X 3/8" OD COMP 3/8" COMP X 1/2" FIP X 16"	026613157887	30.00

NOTE: Actual riser length to connect less 1/2"

For product availability please refer to "Wholesale 2013 Compliant Conversion Plan - Product Availability List" on ROA.

Product offering, availability & pricing are subject to change. Please contact BrassCraft Customer Service toll-free at 877-272-7755 for verification or ROA access.

Terms: BrassCraft terms and conditions can be found at [www.brasscraft.com](http://www.brasscraft.com)

Part Number	Description	Item UPC	List Price EA
OR17B20AX C	FAUCET MT FLX SUP. KIT - ANG/POLY BRD CONN. - 1/2" FIP X 3/8" OD COMP 3/8" COMP X 1/2" FIP X 20"	026613157894	33.07
OR17X BZ	SPF MULTI-TURN SUP. STOP - ANGLE - 1/2" FIP X 3/8" OD COMP	026613150666	48.66
OR17X C	MULTI-TURN SUPPLY STOP - ANGLE - 1/2" FIP X 3/8" OD COMP	026613138176	15.74
OR17X C1	MULTI-TURN SUPPLY STOP - ANGLE - 1/2" FIP X 3/8" OD COMP	026613135793	16.55
OR17X NP	SPF MULTI-TURN SUPPLY STOP - ANGLE - 1/2" FIP X 3/8" OD COMP	026613150673	48.66
OR17X NS	SPF MULTI-TURN SUPPLY STOP - ANGLE - 1/2" FIP X 3/8" OD COMP	026613150680	48.66
OR17X P	SPF MULTI-TURN SUPPLY STOP - ANGLE - 1/2" FIP X 3/8" OD COMP	026613150697	48.66
OR17X R	MULTI-TURN SUPPLY STOP - ANGLE - 1/2" FIP X 3/8" OD COMP	026613138565	14.70
OR17X R1	MULTI-TURN SUPPLY STOP - ANGLE - 1/2" FIP X 3/8" OD COMP	026613138152	14.70
OR27X C	MULTI-TURN SUPPLY STOP - ANGLE - 1/2" FIP X 7/16" OD COMP	026613150734	23.89
OR27X C1	MULTI-TURN SUPPLY STOP - ANGLE - 1/2" FIP X 7/16" OD COMP	026613150741	25.10
OR30X C	MULTI-TURN SUPPLY STOP - STRAIGHT - 3/8" FIP X 1/2" OD COMP	026613150758	33.19
OR32X C	MULTI-TURN SUPPLY STOP - STRAIGHT - 1/2" FIP X 1/2" OD COMP	026613135229	25.62
OR32X C1	MULTI-TURN SUPPLY STOP - STRAIGHT - 1/2" FIP X 1/2" OD COMP	026613135830	26.87
OR35X C	MULTI-TURN SUPPLY STOP - ANGLE - 3/8" FIP X 1/2" OD COMP	026613150772	26.96
OR37B12DLX C	TOILET MT FLX SUP. KIT - ANG/POLY BRD CONN. - 1/2" FIP X 1/2" OD COMP 3/8" COMP X 7/8" BALLCOCK X 12"	026613157528	36.41
OR37X C	MULTI-TURN SUPPLY STOP - ANGLE - 1/2" FIP X 1/2" OD COMP	026613138596	24.06
OR37X C1	MULTI-TURN SUPPLY STOP - ANGLE - 1/2" FIP X 1/2" OD COMP	026613135748	25.27
OR37X R	MULTI-TURN SUPPLY STOP - ANGLE - 1/2" FIP X 1/2" OD COMP	026613153520	21.28
OR82X C	MULTI-TURN SUPPLY STOP - STRAIGHT - 1/2" FIP X 1/2" FIP	026613150802	27.76
OR87X C	MULTI-TURN SUPPLY STOP - ANGLE - 1/2" FIP X 1/2" FIP	026613139029	30.98
OR87X R	MULTI-TURN SUPPLY STOP - ANGLE - 1/2" FIP X 1/2" FIP	026613150833	27.65
OR90X C	MULTI-TURN SUPPLY STOP - STRAIGHT - 3/8" FIP X 3/8" FIP	026613150840	27.76
OR90X R	MULTI-TURN SUPPLY STOP - STRAIGHT - 3/8" FIP X 3/8" FIP	026613150857	24.54
OR95X C	MULTI-TURN SUPPLY STOP - ANGLE - 3/8" FIP X 3/8" FIP	026613150864	24.18
P1-12A	PEX FAUCET RISER - 3/8" TUBE FOR 12" LENGTH	026613044859	2.46
P1-12DL	PEX TOILET RISER - 3/8" TUBE FOR 12" LENGTH	026613044873	2.46
P1-15A	PEX FAUCET RISER - 3/8" TUBE FOR 15" LENGTH	026613044897	2.91
P1-15DL	PEX TOILET RISER - 3/8" TUBE FOR 15" LENGTH	026613044903	2.91
P1-20A	PEX FAUCET RISER - 3/8" TUBE FOR 12" LENGTH	026613044910	3.33
P1-20DL	PEX TOILET RISER - 3/8" TUBE FOR 20" LENGTH	026613044934	3.33
P1-30A	PEX FAUCET RISER - 3/8" TUBE FOR 12" LENGTH	026613044958	4.52
P1-36A	PEX FAUCET RISER - 3/8" TUBE FOR 12" LENGTH	026613044965	5.32
P14CX R	BRASS FITTING - CPVC X COMP UNION 1/2" NOM CPVC X 3/8" OD TUBE, CHROME	026613154497	17.42
P44CX R	BRASS FITTING - CPVC X COMP UNION 1/2" NOM CPVC X 5/8" OD TUBE, CHROME	026613154503	19.66
P48FX R	BRASS FITTING - CPVC X FIP UNION 1/2 NOM CPVC X 1/2" FIP	026613154510	19.66
P48MX R	BRASS FITTING - CPVC X MIP UNION 1/2" NOM CPVC X 1/2" MIP	026613150918	15.92
P48WX R	BRASS FITTING - CPVC DROP EAR ELBOW 1/2" NOM CPVC X 1/2" FIP	026613150925	33.25
P72FX R	BRASS FITTING - CPVC X FIP UNION 3/4" NOM CPVC X 3/4" FIP	026613150932	24.78
P72MX R	BRASS FITTING - CPVC X MIP UNION 1/2" NOM CPVC X 1/2" MIP	026613150949	23.31
P72MX R	BRASS FITTING - CPVC X MIP UNION 1/2" NOM CPVC X 1/2" MIP	026613150949	23.31
PCT-10-6	PUSH CONNECT COMB REMOVAL TOOL - 1/2" NOM AND 1/4" NOM COMB REMOVAL TOOL	026613142197	1.76
PNEV-NCVX	SELF-PIERCING NEEDLE VALVE 1/4"OD CMP X 1/8" MIP W/CLAMP	026613137476	16.13
PR09X R	MULTI-TURN SUPPLY STOP - ANGLE - 1/2" NOM CPVC X 1/4" OD COMP	026613135281	34.53
PR14X BZ	SPF MULTI-TURN SUPPLY STOP - STRAIGHT- 1/2" NOM CPVC X 3/8" OD COMP	026613151212	73.00
PR14X C	MULTI-TURN SUPPLY STOP - STRAIGHT - 1/2" NOM CPVC X 3/8" OD COMP	026613138640	30.69

NOTE: Actual riser length to connect less 1/2"

For product availability please refer to "Wholesale 2013 Compliant Conversion Plan - Product Availability List" on ROA.

Product offering, availability & pricing are subject to change. Please contact BrassCraft Customer Service toll-free at 877-272-7755 for verification or ROA access.

Terms: BrassCraft terms and conditions can be found at [www.brasscraft.com](http://www.brasscraft.com)

<b>Part Number</b>	<b>Description</b>	<b>Item UPC</b>	<b>List Price EA</b>
PR14X C1	MULTI-TURN SUPPLY STOP - STRAIGHT - 1/2" NOM CPVC X 3/8" OD COMP	026613136011	32.27
PR14X NS	SPF MULTI-TURN SUPPLY STOP - STRAIGHT- 1/2" NOM CPVC X 3/8" OD COMP	026613151229	73.00
PR14X R	MULTI-TURN SUPPLY STOP - STRAIGHT - 1/2" NOM CPVC X 3/8" OD COMP	026613142388	27.81
PR1901DVX R	MT DUAL OUTLET, DUAL SHUT-OFF STOP - ANGLE - 1/2" NOM CPVC X 3/8" OD COMP X 3/8" OD COMP	026613142340	58.15
PR1901LRX R1	MT DUAL OUTLET STOP - 1/2" NOM CPVC X 3/8" OD COMP X 3/8" OD COMP	026613138695	49.04
PR1920AX C	FAUCET MT SUPPLY KIT W/ 5" SWT EXT. - STRGHT/RISER - 1/2" NOM CPVC X 3/8" OD COMP X 20"	026613153568	96.63
PR19B120DLX C	TOILET MT ONE-PC SUPPLY - ANG/POLY BRD CONN. - 1/2" NOM CPVC X 7/8" BALLCOCK X 12"	026613155289	28.98
PR19B160AX C	FAUCET MT ONE-PC SUPPLY - ANG/POLY BRD CONN. - 1/2" NOM CPVC X 1/2" FIP X 16"	026613153575	60.77
PR19B200AX C	FAUCET MT ONE-PC SUPPLY - ANG/POLY BRD CONN. - 1/2" NOM CPVC X 1/2" FIP X 20"	026613153582	61.55
PR19B200KCX C	FAUCET MT ONE-PC SUPPLY - ANG/POLY BRD CONN. - 1/2" NOM CPVC X 3/8" OD COMP X 20"	026613153599	66.00
PR19B600DW6 C	DISH MT ONE-PC SUPPLY - ANG/POLY BRD CONN. -1/2" NOM CPVC X 3/8" OD COMP X 60"	026613105796	71.71
PR19B90DLX C	TOILET MT ONE-PC SUPPLY - ANG/ POLY BRD CONN. - 1/2" NOM CPVC X 7/8" BALLCOCK X 12"	026613157504	28.82
PR19V120DLX C	TOILET MT ONE-PC SUPPLY - ANG/VINYL CONN. - 1/2" NOM CPVC X 7/8" BALLCOCK X 12"	026613155371	20.60
PR19V160AX C	FAUCET MT ONE-PC SUPPLY - ANG/VINYL CONN.- 1/2" NOM CPVC X 1/2" FIP X 20"	026613153605	42.95
PR19V200AX C	FAUCET MT ONE-PC SUPPLY - ANG/VINYL CONN. - 1/2" NOM CPVC X 1/2" FIP X 16"	026613153612	46.10
PR19V600DW6 C	DISH MT ONE-PC SUPPLY - ANG/VINYL CONN.- 1/2" NOM CPVC X 3/8" OD COMP X 60"	026613105604	45.05
PR19V720DW6 C	DISH MT ONE-PC SUPPLY - ANG/VINYL CONN.- 1/2" NOM CPVC X 3/8" OD COMP X 72"	026613105635	48.89
PR19V90DLX C	TOILET MT ONE-PC SUPPLY - ANG/VINYL CONN.- 1/2" NOM CPVC X 7/8" BALLCOCK X 9"	026613155388	20.46
PR19X BZ	SPF MULTI-TURN SUPPLY STOP - ANGLE- 1/2" NOM CPVC X 3/8" OD COMP	026613151236	64.88
PR19X C	MULTI-TURN SUPPLY STOP - ANGLE - 1/2" NOM CPVC X 3/8" OD COMP	026613136752	29.33
PR19X C1	MULTI-TURN SUPPLY STOP - ANGLE - 1/2" NOM CPVC X 3/8" OD COMP	026613138589	30.76
PR19X NS	SPF MULTI-TURN SUPPLY STOP - ANGLE- 1/2" NOM CPVC X 3/8" OD COMP	026613151250	64.88
PR19X R	MULTI-TURN SUPPLY STOP - ANGLE - 1/2" NOM CPVC X 3/8" OD COMP	026613142555	26.22
PR34X C	MULTI-TURN SUPPLY STOP - STRAIGHT - 1/2" NOM CPVC X 1/2" OD COMP	026613153629	47.49
PR34X R	MULTI-TURN SUPPLY STOP - STRAIGHT - 1/2" NOM CPVC X 1/2" OD COMP	026613153636	42.34
PR39X C	MULTI-TURN SUPPLY STOP - STRAIGHT - 1/2" NOM SWEAT X 1/2" OD COMP	026613153643	39.58
PR39X R	MULTI-TURN SUPPLY STOP - STRAIGHT - 1/2" NOM SWEAT X 1/2" OD COMP	026613142395	39.58
PRB-12-8X	PIPE REDUCER BUSHING 3/4" MIP X 1/2" FIP	026613151281	6.37
R04X C	MULTI-TURN SUPPLY STOP - STRAIGHT - 1/2" NOM SWEAT X 1/4" OD COMP	026613154305	22.53
R04X R	MULTI-TURN SUPPLY STOP - STRAIGHT - 1/2" NOM SWEAT X 1/4" OD COMP	026613154312	22.09
R04X R1	MULTI-TURN SUPPLY STOP - STRAIGHT - 1/2" NOM SWEAT X 1/4" OD COMP	026613136134	23.18
R09X C	MULTI-TURN SUPPLY STOP - ANGLE - 1/2" NOM SWEAT X 1/4" OD COMP	026613153650	20.37
R09X C1	MULTI-TURN SUPPLY STOP - ANGLE - 1/2" NOM SWEAT X 1/4" OD COMP	026613142500	21.41
R09X R	MULTI-TURN SUPPLY STOP - ANGLE - 1/2" NOM SWEAT X 1/4" OD COMP	026613154329	18.12
R09X R1	MULTI-TURN SUPPLY STOP - ANGLE - 1/2" NOM SWEAT X 1/4" OD COMP	026613153667	19.03
R10-2+5	MULTI-TURN SUPPLY STOP COMPONENTS - STEM & BIB WASHER FOR STRAIGHT STOP	026613041551	2.67
R14X C	MULTI-TURN SUPPLY STOP - STRAIGHT - 1/2" NOM SWEAT X 1/4" OD COMP	026613142548	17.13
R14X C1	MULTI-TURN SUPPLY STOP - STRAIGHT - 1/2" NOM SWEAT X 3/8" OD COMP	026613136080	17.99
R14X R	MULTI-TURN SUPPLY STOP - STRAIGHT - 1/2" NOM SWEAT X 3/8" OD COMP	026613154336	16.17
R14X R1	MULTI-TURN SUPPLY STOP - STRAIGHT - 1/2" NOM SWEAT X 3/8" OD COMP	026613136073	16.99
R1501LRX C1	MT DUAL OUTLET STOP - 3/8" FIP X 3/8" OD COMP X 3/8" OD COMP	026613151427	52.27
R15-10T BZH	SPF OVAL HANDLE	026613124087	18.72
R15-10T C	MULTI-TURN SUPPLY STOP COMPONENTS - OVAL HANDLE	026613002132	1.91
R15-10T NPH	SPF OVAL HANDLE	026613139517	18.72
R15-10T NSH	SPF OVAL HANDLE	026613124070	18.72
R15-10T PH	SPF OVAL HANDLE	026613124094	18.72

NOTE: Actual riser length to connect less 1/2"

For product availability please refer to "Wholesale 2013 Compliant Conversion Plan - Product Availability List" on ROA.

Product offering, availability & pricing are subject to change. Please contact BrassCraft Customer Service toll-free at 877-272-7755 for verification or ROA access.

Terms: BrassCraft terms and conditions can be found at [www.brasscraft.com](http://www.brasscraft.com)

Part Number	Description	Item UPC	List Price EA
R15-10T R	MULTI-TURN SUPPLY STOP COMPONENTS - OVAL HANDLE	026613041605	1.61
R15-10TP C	MULTI-TURN SUPPLY STOP COMPONENTS - OVAL HANDLE	026613134765	1.91
R15-5	MULTI-TURN SUPPLY STOP COMPONENTS - BIB WASHER	026613041643	.89
R15-6	MULTI-TURN SUPPLY STOP COMPONENTS - THRUST WASHER	026613041650	.55
R15-6P	MULTI-TURN SUPPLY STOP COMPONENTS - THRUST WASHER	026613041667	.46
R15-78F	MULTI-TURN SUPPLY STOP COMPONENTS - BONNET PACKING	026613041681	1.62
R15-9 C	MULTI-TURN SUPPLY STOP COMPONENTS - SCREW FOR STOP HANDLES	026613041704	.89
R15S-2+5 R	MULTI-TURN SUPPLY STOP COMPONENTS - STEM & BIB WASHER FOR ANGLE STOP	026613041735	2.71
R15S-2P+5	MULTI-TURN SUPPLY STOP COMPONENTS - STEM & BIB WASHER FOR ANGLE OR STRAIGHT STOP	026613041742	1.19
R15S-3 C	MULTI-TURN SUPPLY STOP COMPONENTS - BONNET NUT FOR OVAL HANDLE	026613041759	2.08
R1700DVX R	MT DUAL OUTLET, DUAL SHUT-OFF STOP - ANG - 1/2" FIP X 3/8" OD COMP X 1/4" OD COMP	026613138015	52.77
R1700RX C1	MULTI-TURN DUAL OUTLET SUPPLY STOP - 1/2" FIP X 3/8" OD COMP X 1/4" OD COMP	026613138459	39.72
R1700RX R1	MULTI-TURN DUAL OUTLET SUPPLY STOP - 1/2" FIP X 3/8" OD COMP X 1/4" OD COMP	026613135847	36.18
R1701DVX R	MT DUAL OUTLET, DUAL SHUT-OFF STOP - ANG - 1/2" FIP X 3/8" OD COMP X 3/8" OD COMP	026613138473	54.69
R1701LRX C1	MULTI-TURN DUAL OUTLET SUPPLY STOP - 1/2" FIP X 3/8" OD COMP X 3/8" OD COMP	026613137001	36.01
R1701LRX R1	MULTI-TURN DUAL OUTLET SUPPLY STOP - 1/2" FIP X 3/8" OD COMP X 3/8" OD COMP	026613135731	32.89
R1901LRX C1	MULTI-TURN DUAL OUTLET SUPPLY STOP - 1/2" NOM SWEAT X 3/8" OD COMP X 3/8" OD COMP	026613138619	35.20
R1901LRX R1	MULTI-TURN DUAL OUTLET SUPPLY STOP - 1/2" NOM SWEAT X 3/8" OD COMP X 3/8" OD COMP	026613142517	31.43
R1912AX C	FAUCET MT SUPPLY KIT - ANG/RISER - 1/2" NOM SWEAT X 3/8" OD COMP X 12"	026613153728	58.81
R1912AX R	FAUCET MT SUPPLY KIT - ANG/RISER - 1/2" NOM SWEAT X 3/8" OD COMP X 12"	026613153735	51.96
R1912DLX C	TOILET MT SUPPLY KIT - ANG/RISER - 1/2" NOM SWEAT X 3/8" OD COMP X 12"	026613154763	30.07
R1912KAX R	FAUCET MT SUPPLY KIT SWEAT - ANG/RISER - 1/2" NOM SWEAT X 3/8" OD COMP X 12"	026613153742	52.93
R1920AX C	FAUCET MT SUPPLY KIT - ANG/RISER - 1/2" NOM SWEAT X 3/8" OD COMP X 20"	026613153759	67.44
R19B12AX C	FAUCET MT FLX SUPPLY KIT - ANG/POLY BRD CONN. - 1/2" NOM SWEAT X 3/8" OD COMP 3/8" COMP X 1/2" FIP X 12"	026613153766	26.93
R19B12DLX C	TOILET MT FLX SUPPLY KIT - ANG/POLY BRD CONN. - 1/2" NOM SWEAT X 3/8" OD COMP 3/8" COMP X 7/8" BALLCOCK X 12"	026613155258	26.93
R19B20AX C	FAUCET MT FLX SUPPLY KIT - ANG/POLY BRD CONN. - 1/2" NOM SWEAT X 3/8" OD COMP 3/8" COMP X 1/2" FIP X 20"	026613153773	33.07
R19X C	MULTI-TURN SUPPLY STOP - ANGLE - 1/2" NOM SWEAT X 3/8" OD COMP	026613138480	15.83
R19X C1	MULTI-TURN SUPPLY STOP - ANGLE - 1/2" NOM SWEAT X 3/8" OD COMP	026613136110	16.64
R19X R	MULTI-TURN SUPPLY STOP - ANGLE - 1/2" NOM SWEAT X 3/8" OD COMP	026613137919	14.82
R19X R1	MULTI-TURN SUPPLY STOP - ANGLE - 1/2" NOM SWEAT X 3/8" OD COMP	026613136127	15.56
R1BX C	MULTI-TURN SUPPLY STOP - ANGLE - 3/8" NOM SWEAT X 3/8" OD COMP	026613153780	27.76
R2700RX R1	MULTI-TURN DUAL OUTLET SUPPLY STOP - 1/2" FIP X 7/16" OD COMP X 1/4" OD COMP	026613151526	37.26
R2702LRX R1	MULTI-TURN DUAL OUTLET SUPPLY STOP - 1/2" FIP X 7/16" OD COMP X 7/16" OD COMP	026613151564	50.01
R34X C	MULTI-TURN SUPPLY STOP - STRAIGHT - 1/2" NOM SWEAT X 1/2" OD COMP	026613151588	23.52
R34X C1	MULTI-TURN SUPPLY STOP - STRAIGHT - 1/2" NOM SWEAT X 1/2" OD COMP	026613136097	24.70
R34X R	MULTI-TURN SUPPLY STOP - STRAIGHT - 1/2" NOM SWEAT X 1/2" OD COMP	026613151601	20.66
R34X R1	MULTI-TURN SUPPLY STOP - STRAIGHT - 1/2" NOM SWEAT X 1/2" OD COMP	026613151618	21.70
R3700RX R1	MULTI-TURN DUAL OUTLET SUPPLY STOP - 1/2" FIP X 1/2" OD COMP X 1/4" OD COMP	026613135816	36.82
R3703LRX C1	MULTI-TURN DUAL OUTLET SUPPLY STOP - 1/2" FIP X 1/2" OD COMP X 1/2" OD COMP	026613151663	48.20
R3703LRX R1	MULTI-TURN DUAL OUTLET SUPPLY STOP - 1/2" FIP X 1/2" OD COMP X 1/2" OD COMP	026613151670	44.49
R39X C	MULTI-TURN SUPPLY STOP - ANGLE - 1/2" NOM SWEAT X 1/2" OD COMP	026613151694	22.92
R39X C1	MULTI-TURN SUPPLY STOP - ANGLE - 1/2" NOM SWEAT X 1/2" OD COMP	026613136066	24.06
R39X R	MULTI-TURN SUPPLY STOP - ANGLE - 1/2" NOM SWEAT X 1/2" OD COMP	026613151700	20.49
S15-10 C	MULTI-TURN SUPPLY STOP COMPONENTS - LOOSE KEY	026613041780	3.19
S15S-2+5TP	MULTI-TURN SUPPLY STOP COMPONENTS - STEM & BIB WASHER FOR LOOSE KEY STOP	026613041797	2.05
S15S-3 C	MULTI-TURN SUPPLY STOP COMPONENTS - BONNET NUT FOR LOOSE KEY	026613041810	2.88

NOTE: Actual riser length to connect less 1/2"

For product availability please refer to "Wholesale 2013 Compliant Conversion Plan - Product Availability List" on ROA.

Product offering, availability & pricing are subject to change. Please contact BrassCraft Customer Service toll-free at 877-272-7755 for verification or ROA access.

Terms: BrassCraft terms and conditions can be found at [www.brasscraft.com](http://www.brasscraft.com)

Part Number	Description	Item UPC	List Price EA
S15S-3 R	MULTI-TURN SUPPLY STOP COMPONENTS - BONNET NUT FOR LOOSE KEY	026613041827	2.30
S3601X C	FAUCET SUPPLY KIT W/ IPS EXT. & RISER - 3/8" X 5.5" TUBE, 3/8" X 4.5" RISER, 3/8" FIP X 1/4" FIP REDUCER BUSHING, STUFFING BOX W/ OVAL HANDLES	026613153797	167.12
SC	RISER COMPONENT PARTS - FOR FAUCET RISER TUBES - CONE WASHER FOR 7/16" CORR-O-FLEX TUBE	026613041841	.89
SJ300 C	RISER COMPONENT PARTS - FOR FAUCET RISER TUBES - FAUCET SHANK NUT	026613067209	2.77
SJ300 R	RISER COMPONENT PARTS - FOR FAUCET RISER TUBES - FAUCET SHANK NUT	026613067216	2.67
SJ307	MULTI-TURN SUPPLY STOP COMPONENTS - WASHER FOR SLIP JOINT STOPS. 3/8" OD	026613041872	.36
SSR44 R	INTEGRAL SHUT-OFF - W/ LOCK SHIELD SCREWDRIVER SLOT - STRAIGHT 1/2" NOM SWT FEM X 1/2" NOM SWT FEM	026613030975	23.77
SSR44M C	INTEGRAL SHUT-OFF - W/ LOCK SHIELD SCREWDRIVER SLOT - STRAIGHT 1/2" NOM SWT FEM X 1/2" NOM SWT MALE	026613030937	28.11
SSR44M R	INTEGRAL SHUT-OFF - W/ LOCK SHIELD SCREWDRIVER SLOT - STRAIGHT 1/2" NOM SWT FEM X 1/2" NOM SWT MALE	026613030944	23.77
SSR83 R	INTEGRAL SHUT-OFF W/LOCK SHIELD SCREWDRIVER SLOT - STRAIGHT 1/2" FIP X 1/2" MIP	026613031019	23.77
SSR83AA C	INTEGRAL SHUT-OFF - W/ LOCK SHIELD SCREWDRIVER SLOT - STRAIGHT 1/2" FIP (W/ CHECK) X 1/2" MIP	026613103785	32.46
SSR83AA R	INTEGRAL SHUT-OFF - W/ LOCK SHIELD SCREWDRIVER SLOT - STRAIGHT 1/2" FIP (W/ CHECK) X 1/2" MIP	026613103778	28.09
SSR84 C	INTEGRAL SHUT-OFF - W/ LOCK SHIELD SCREWDRIVER SLOT - STRAIGHT 1/2" NOM SWT FEM X 1/2" MIP	026613031033	28.11
SSR84 R	INTEGRAL SHUT-OFF - W/ LOCK SHIELD SCREWDRIVER SLOT - STRAIGHT 1/2" NOM SWEAT FEMALE X 1/2" MIP	026613031040	23.77
SWB00-12N	CTD STAINLESS STEEL WTR HTR CONN 3/4" FIP X 3/4" FIP X 12"	026613142562	16.12
SWB00-15N	CTD STAINLESS STEEL WTR HTR CONN 3/4" FIP X 3/4" FIP X 15"	026613142579	17.92
SWB00-18N	CTD STAINLESS STEEL WTR HTR CONN 3/4" FIP X 3/4" FIP X 18"	026613142586	19.50
SWB00-24N	CTD STAINLESS STEEL WTR HTR CONN 3/4" FIP X 3/4" FIP X 24"	026613142593	23.92
TK30RB21-18G3X	18" TANKLESS WTR HTR KIT W/GBV & IPS VALVE KIT	026613141381	191.10
TK30RB21-18X	18" TANKLESS WTR HTR KIT W/ IPS VALVE KIT	026613141367	178.10
TK30RB21-24G3X	24" TANKLESS WTR HTR KIT W/GBV & IPS VALVE KIT	026613141398	204.10
TK30RB21-24X	24" TANKLESS WTR HTR KIT W/ IPS VALVE KIT	026613141374	191.10
TK3SRB21-18X	18" TANKLESS WTR HTR KIT W/ SWT VALVE KIT	026613141923	178.10
TK3SRB21-24X	24" TANKLESS WTR HTR KIT W/ SWT VALVE KIT	026613141930	191.10
TS-6X	INSERT FOR COMPRESSION PEX 3/8" NOMINAL PEX TUBE INSERT	026613107110	3.70
TS-8X	INSERT FOR COMPRESSION PEX 1/2" NOM PEX TUBE INSERT	026613097541	5.27
TWV30RX	TNKLSS SERVICE VALVE KIT 3/4" IPS W/ PR VALVE	026613141343	136.50
TWV30X	TNKLSS SERVICE VALVE KIT 3/4" IPS	026613141350	131.50
TWV3SRX	TNKLSS SERVICE VALVE KIT 3/4" SWT W/ PR VALVE	026613141404	136.50
TWV3SX	TNKLSS SERVICE VALVE 3/4" SWT	026613141411	131.50
V1-120DW F	VINYL DISHWASHER CONN. - 3/8" COMP X 3/8" COMP X 120"	026613120089	28.42
V1-12A F	VINYL FAUCET CONN. - 3/8" COMP X 1/2" FIP X 12"	026613046501	8.27
V1-12AM F	VINYL FAUCET CONN. - 3/8" COMP X 1/2" FIP W/ METAL NUT X 12"	026613129235	8.27
V1-12DL F	VINYL TOILET CONN. - 3/8" COMP X 7/8" BALLCOCK X 12"	026613046549	9.83
V1-12KC F	VINYL FAUCET CONN. W/ KC NOSEPIECE - 3/8" COMP X 3/8" OD COMP X 12"	026613051468	9.31
V1-16A F	VINYL FAUCET CONN. - 3/8" COMP X 1/2" FIP X 16"	026613046518	8.95
V1-16AM F	VINYL FAUCET CONN. - 3/8" COMP X 1/2" FIP W/ METAL NUT X 16"	026613129242	8.95
V1-16DL F	VINYL TOILET CONN. - 3/8" COMP X 7/8" BALLCOCK X 16"	026613104515	10.14
V1-20A F	VINYL FAUCET CONN. - 3/8" COMP X 1/2" FIP X 20"	026613046525	9.20
V1-20AM F	VINYL FAUCET CONN. - 3/8" COMP X 1/2" FIP W/ METAL NUT X 20"	026613129259	9.20
V1-20DL F	VINYL TOILET CONN. - 3/8" COMP X 7/8" BALLCOCK X 20"	026613046556	10.43
V1-20KC F	VINYL FAUCET CONN. W/ KC NOSEPIECE - 3/8" COMP X 3/8" OD COMP X 20"	026613051475	10.12
V1-30A F	VINYL FAUCET CONN. - 3/8" COMP X 1/2" FIP X 30"	026613098296	11.25
V1-30AM F	VINYL FAUCET CONN. - 3/8" COMP X 1/2" FIP W/ METAL NUT X 30"	026613129266	11.25
V1-36A F	VINYL FAUCET CONN. - 3/8" COMP X 1/2" FIP X 36"	026613046532	12.32
V1-36AM F	VINYL FAUCET CONN. - 3/8" COMP X 1/2" FIP W/ METAL NUT X 36"	026613129273	12.32

NOTE: Actual riser length to connect less 1/2"

For product availability please refer to "Wholesale 2013 Compliant Conversion Plan - Product Availability List" on ROA.  
 Product offering, availability & pricing are subject to change. Please contact BrassCraft Customer Service toll-free at 877-272-7755 for verification or ROA access.  
 Terms: BrassCraft terms and conditions can be found at [www.brasscraft.com](http://www.brasscraft.com)

Part Number	Description	Item UPC	List Price EA
V1-9DL F	VINYL TOILET CONN. - 3/8" COMP X 7/8" BALLCOCK X 9"	026613051451	9.23
V3-12AM F	VINYL FAUCET CONN. - 1/2" COMP X 1/2" FIP W/ METAL NUT X 12"	026613129303	8.60
V3-12DL F	VINYL TOILET CONN. - 1/2" COMP X 7/8" BALLCOCK X 12"	026613052052	10.43
V3-16A F	VINYL FAUCET CONN. - 1/2" COMP X 1/2" FIP X 16"	026613104546	8.97
V3-16AM F	VINYL FAUCET CONN. - 1/2" COMP X 1/2" FIP W/ METAL NUT X 16"	026613129280	8.97
V3-20A F	VINYL FAUCET CONN. - 1/2" COMP X 1/2" FIP X 20"	026613052045	9.93
V3-20AM F	VINYL FAUCET CONN. - 1/2" COMP X 1/2" FIP W/ METAL NUT X 20"	026613129297	9.93
V3-36A F	VINYL FAUCET CONN. - 1/2" COMP X 1/2" FIP X 36"	026613093642	12.92
V8-12DL F	VINYL TOILET CONN. - 1/2" FIP X 7/8" BALLCOCK X 12"	026613099941	10.65
V8-16AM F	VINYL FAUCET CONN. - 1/2" FIP X 1/2" FIP W/ METAL NUT X 16"	026613129181	9.62
V8-16DL F	VINYL TOILET CONN. - 1/2" FIP X 7/8" BALLCOCK X 16"	026613104553	11.30
V8-20A F	VINYL FAUCET CONN. - 1/2" FIP X 1/2" FIP X 20"	026613098302	10.12
V8-20AM F	VINYL FAUCET CONN. - 1/2" FIP X 1/2" FIP W/ METAL NUT X 20"	026613129198	10.12
V8-36AM F	VINYL FAUCET CONN. - 1/2" FIP X 1/2" FIP W/ METAL NUT X 36"	026613129204	13.29
V8-9DL F	VINYL TOILET CONN. - 1/2" FIP X 7/8" BALLCOCK X 9"	026613104805	10.18
VF1-12A F	VINYL FAUCET CONN. - 3/8" FLARE X 1/2" FIP X 12"	026613100999	8.58
VF1-12AM F	VINYL FAUCET CONN. - 3/8" FLARE X 1/2" FIP W/ METAL NUT X 12"	026613129211	8.58
VF1-12DL F	VINYL TOILET CONN. - 3/8" FLARE X 7/8" BALLCOCK X 12"	026613100968	10.16
VF1-20A F	VINYL FAUCET CONN. - 3/8" FLARE X 1/2" FIP X 20"	026613047607	9.52
VF1-20AM F	VINYL FAUCET CONN. - 3/8" FLARE X 1/2" FIP W/ METAL NUT X 20"	026613129228	9.52
VF1-20DL F	VINYL TOILET CONN. - 3/8" FLARE X 7/8" BALLCOCK X 20"	026613100975	10.75
VF3-12DL F	VINYL TOILET CONN. - 1/2" FLARE X 7/8" BALLCOCK X 12"	026613100982	11.05
VF3-20A F	VINYL FAUCET CONN. - 1/2" FLARE X 1/2" FIP X 20"	026613101019	9.32
WB00-12N	COPPER WTR HTR CONN. - 3/4" FIP X 3/4" FIP X 12"	026613089287	24.80
WB00-15N	COPPER WTR HTR CONN. - 3/4" FIP X 3/4" FIP X 15"	026613089300	27.57
WB00-18N	COPPER WTR HTR CONN. - 3/4" FIP X 3/4" FIP X 18"	026613089331	30.00
WB00-24N	COPPER WTR HTR CONN. - 3/4" FIP X 3/4" FIP X 24"	026613089348	36.80
WB03-12N	COPPER WTR HTR CONN. - 3/4" FIP X 3/4" NOM MSWT X 12"	026613089362	24.80
WB03-15N	COPPER WTR HTR CONN. - 3/4" FIP X 3/4" NOM MSWT X 15"	026613089379	27.57
WB03-18N	COPPER WTR HTR CONN. - 3/4" FIP X 3/4" NOM MSWT X 18"	026613089386	30.00
WB03-24N	COPPER WTR HTR CONN. - 3/4" FIP X 3/4" NOM MSWT X 24"	026613089393	36.80
WB034-12N	COPPER WTR HTR CONN. - 3/4" FIP X 3/4" NOM M/FSWT X 12"	026613089409	24.80
WB034-15N	COPPER WTR HTR CONN. - 3/4" FIP X 3/4" NOM M/FSWT X 15"	026613089416	27.57
WB034-18N	COPPER WTR HTR CONN. - 3/4" FIP X 3/4" NOM M/FSWT X 18"	026613089423	30.00
WB034-24N	COPPER WTR HTR CONN. - 3/4" FIP X 3/4" NOM M/FSWT X 24"	026613093710	36.80
WB07-18	COPPER WTR HTR CONN. - 3/4" FIP X 3/4" PEX X 18"	026613048871	33.19
WB07-24	COPPER WTR HTR CONN. - 3/4" FIP X 3/4" PEX X 24"	026613100661	37.59
WB10-18N	COPPER WTR HTR CONN. - 1" FIP X 3/4" FIP X 18"	026613131504	38.28
WB134-18N	COPPER WTR HTR CONN. - 1" FIP X 3/4" M/FSWT X 18"	026613110608	36.02
WB134-24N	COPPER WTR HTR CONN. - 1" FIP X 3/4" M/FSWT X 24"	026613110615	44.84
WB20-12N	COPPER WTR HTR CONN. - 3/4" FIP/MIP X 3/4" FIP X 12"	026613108254	33.68
WB20-15N	COPPER WTR HTR CONN. - 3/4" FIP/MIP X 3/4" FIP X 15	026613110394	36.42
WB20-18N	COPPER WTR HTR CONN. - 3/4" FIP/MIP X 3/4" FIP X 18"	026613097695	38.05
WB20-24N	COPPER WTR HTR CONN. - 3/4" FIP/MIP X 3/4" FIP X 24"	026613097701	45.69
WB23-18N	COPPER WTR HTR CONN. - 3/4" FIP/MIP X 3/4 MSWT X 18"	026613094762	30.00
WB234-12N	COPPER WTR HTR CONN. - 3/4" FIP/MIP X 3/4" M/FSWT X 12"	026613093727	33.68

NOTE: Actual riser length to connect less 1/2"

For product availability please refer to "Wholesale 2013 Compliant Conversion Plan - Product Availability List" on ROA.

Product offering, availability & pricing are subject to change. Please contact BrassCraft Customer Service toll-free at 877-272-7755 for verification or ROA access.

Terms: BrassCraft terms and conditions can be found at [www.brasscraft.com](http://www.brasscraft.com)

Part Number	Description	Item UPC	List Price EA
WB234-15N	COPPER WTR HTR CONN. - 3/4" FIP/MIP X 3/4" M/FSWT X 15	026613093734	36.42
WB234-18N	COPPER WTR HTR CONN. - 3/4" FIP/MIP X 3/4" M/FSWT X 18"	026613093741	38.05
WB234-24N	COPPER WTR HTR CONN. - 3/4" FIP/MIP X 3/4" M/FSWT X 24"	026613093758	45.69
WB27-18	COPPER WTR HTR CONN. - 3/4" FIP/MIP X 3/4" PEX X 18"	026613107950	41.26
WC33-12	COPPER WTR HTR CONN. - 3/4" NOM MSWT X 3/4" NOM MSWT X 12"	026613008202	24.80
WC33-18	COPPER WTR HTR CONN. - 3/4" NOM MSWT X 3/4" NOM MSWT X 18"	026613008226	30.00
WC33-24	COPPER WTR HTR CONN. - 3/4" NOM MSWT X 3/4" NOM MSWT X 24"	026613008233	36.80
WC43-12	COPPER WTR HTR CONN. - 3/4" NOM FSWT X 3/4" NOM MSWT X 12"	026613008264	24.80
WC43-15	COPPER WTR HTR CONN. - 3/4" NOM FSWT X 3/4" NOM MSWT X 15"	026613008271	27.57
WC43-18	COPPER WTR HTR CONN. - 3/4" NOM FSWT X 3/4" NOM MSWT X 18"	026613008288	30.00
WC43-24	COPPER WTR HTR CONN. - 3/4" NOM FSWT X 3/4" NOM MSWT X 24"	026613008295	36.80
WC44-12	COPPER WTR HTR CONN. - 3/4" NOM FSWT X 3/4" NOM FSWT X 12"	026613008301	24.80
WC44-15	COPPER WTR HTR CONN. - 3/4" NOM FSWT X 3/4" NOM FSWT X 15"	026613008318	27.57
WC44-18	COPPER WTR HTR CONN. - 3/4" NOM FSWT X 3/4" NOM FSWT X 18"	026613008325	30.00
WC44-24	COPPER WTR HTR CONN. - 3/4" NOM FSWT X 3/4" NOM FSWT X 24"	026613008332	36.80
WC55-18	COPPER WTR HTR CONN. - 1/2" NOM MSWT X 1/2" NOM MSWT X 18"	026613008363	30.00
WC65-12	COPPER WTR HTR CONN. - 1/2" NOM FSWT X 1/2" NOM MSWT X 12"	026613008387	24.80
WC65-15	COPPER WTR HTR CONN. - 1/2" NOM FSWT X 1/2" NOM MSWT X 15"	026613008394	27.57
WC65-18	COPPER WTR HTR CONN. - 1/2" NOM FSWT X 1/2" NOM MSWT X 18"	026613008400	30.00
WC65-24	COPPER WTR HTR CONN. - 1/2" NOM FSWT X 1/2" NOM MSWT X 24"	026613008417	36.80
WC66-12	COPPER WTR HTR CONN. - 1/2" NOM FSWT X 1/2" NOM FSWT X 12"	026613008424	24.80
WD65-15	TUB & SHOWER CONN. - 1/2" NOM MALE SWEAT X 1/2" NOM FEMALE SWEAT X 15"	026613008493	21.55
WRJ	WTR HTR CONN. - WASHER 1.02" OD (.687" ID) X .240" FITS INSIDE NUT, ABOVE TUBE	026613051963	1.51
WRU-12-12X	MALE ADAPTOR 3/4-14 STRAIGHT MALE PIPE THREAD X 3/4" MIP	026613154213	9.79
WRU-12PXX	3/4" MIP X 3/4" PEX BRASS BARB ADAPTOR		11.75
WRU-16-12X	MALE ADAPTOR 3/4-14 STRAIGHT MALE PIPE THREAD X 1" MIP		11.93
WWCD	WTR HTR CONN. - WASHERS .940" X .675" ID X .218" THICK FOR INSIDE NUT, ABOVE TUBE	026613051970	1.51
X15-10 BZH	SPF CROSS HANDLE FOR MULTI TURN STOPS	026613124100	37.43
X15-10 C	MULTI-TURN SUPPLY STOP COMPONENTS - CROSS HANDLE	026613042022	12.33
X15-10 NPH	SPF CROSS HANDLE FOR MULTI TURN STOPS	026613139432	37.43
X15-10 NSH	SPF CROSS HANDLE FOR MULTI TURN STOPS	026613124117	37.43
X15-10 PH	SPF CROSS HANDLE FOR MULTI TURN STOPS	026613124124	37.43
XCR14X BZ1	SPF MULTI-TURN SUPPLY STOP - STRAIGHT - 1/2" NOM COMP X 3/8" OD COMP W/ CROSS HND	026613152219	97.33
XCR14X NP1	SPF MULTI-TURN SUPPLY STOP - STRAIGHT - 1/2" NOM COMP X 3/8" OD COMP W/ CROSS HND	026613152226	97.33
XCR14X NS1	SPF MULTI-TURN SUPPLY STOP - STRAIGHT - 1/2" NOM COMP X 3/8" OD COMP W/ CROSS HND	026613152233	97.33
XCR14X P1	SPF MULTI-TURN SUPPLY STOP - STRAIGHT - 1/2" NOM COMP X 3/8" OD COMP W/ CROSS HND	026613152240	97.33
XCR1920AX BZ	SPF FAUCET SUP. KIT - 1/4 TURN - ANG- 1/2" NOM COMP X 3/8" OD COMP W/ SHALL. ESCUT., CROSS HND X 20"	026613152301	229.60
XCR1920AX NS	SPF FAUCET SUP. KIT - 1/4 TURN - ANG- 1/2" NOM COMP X 3/8" OD COMP W/ SHALL. ESCUT., CROSS HND X 20"	026613152318	229.60
XCR1920DLX BZ	SPF TOILET SUP. KIT - 1/4 TURN - ANG- 1/2" NOM COMP X 3/8" OD COMP W/ SHALL. ESCUT., CROSS HND X 20"	026613154657	121.98
XCR1920DLX NS	SPF TOILET SUP. KIT - 1/4 TURN - ANG- 1/2" NOM COMP X 3/8" OD COMP W/ SHALL. ESCUT., CROSS HND X 20"	026613154671	121.98
XCR19X BZ1	SPF MULTI-TURN SUPPLY STOP - ANGLE - 1/2" NOM COMP X 3/8" OD COMP W/ CROSS HND	026613152257	89.22
XCR19X NP1	SPF MULTI-TURN SUPPLY STOP - ANGLE - 1/2" NOM COMP X 3/8" OD COMP W/ CROSS HND	026613152264	89.22
XCR19X NS1	SPF MULTI-TURN SUPPLY STOP - ANGLE - 1/2" NOM COMP X 3/8" OD COMP W/ CROSS HND	026613152271	89.22
XCR19X P1	SPF MULTI-TURN SUPPLY STOP - ANGLE - 1/2" NOM COMP X 3/8" OD COMP W/ CROSS HND	026613152288	89.22
XCS40BX BRL	SPF MULTI-TURN W/ 5" SWT EXT. - ANG - 1/2" NOM SWEAT X 3/8" OD COMP W/ BELL ESCUT., CROSS HND	026613152325	129.78
XCS40BX BZ	SPF MULTI-TURN W/ 5" SWT EXT. - ANG - 1/2" NOM SWEAT X 3/8" OD COMP W/ BELL ESCUT., CROSS HANDLE	026613152332	129.78

NOTE: Actual riser length to connect less 1/2"

For product availability please refer to "Wholesale 2013 Compliant Conversion Plan - Product Availability List" on ROA.  
 Product offering, availability & pricing are subject to change. Please contact BrassCraft Customer Service toll-free at 877-272-7755 for verification or ROA access.  
 Terms: BrassCraft terms and conditions can be found at [www.brasscraft.com](http://www.brasscraft.com)

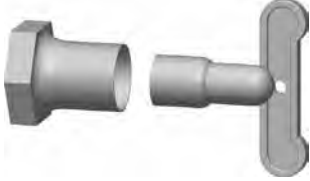



Part Number	Description	Item UPC	List Price EA
XCS40BX NP	SPF MULTI-TURN W/ 5" SWT EXT. - ANG - 1/2" NOM SWEAT X 3/8" OD COMP W/ BELL ESCUT., CROSS HANDLE	026613152349	129.78
XCS40BX NS	SPF MULTI-TURN W/ 5" SWT EXT. - ANG - 1/2" NOM SWEAT X 3/8" OD COMP W/ BELL ESCUT., CROSS HANDLE	026613152356	129.78
XCS41BX BRL	SPF MULTI-TURN W/ 5" SWT EXT. - STRGHT - 1/2" NOM SWEAT X 3/8" OD COMP W/ BELL ESCUT., CROSS HND	026613152363	145.99
XCS41BX BZ	SPF MULTI-TURN W/ 5" SWT EXT. - STRGHT - 1/2" NOM SWEAT X 3/8" OD COMP W/ BELL ESCUT., CROSS HND	026613152370	145.99
XCS41BX NP	SPF MULTI-TURN W/ 5" SWT EXT. - STRGHT - 1/2" NOM SWEAT X 3/8" OD COMP W/ BELL ESCUT., CROSS HND	026613152387	145.99
XCS41BX NS	SPF MULTI-TURN W/ 5" SWT EXT. - STRGHT - 1/2" NOM SWEAT X 3/8" OD COMP W/ BELL ESCUT., CROSS HND	026613152394	145.99
XKT15-10 BZH	SPF CROSS HANDLE FOR 1/4 TURN STOPS	026613137315	37.43
XKT15-10 NSH	SPF CROSS HANDLE FOR 1/4 TURN STOPS	026613137308	37.43
XKTCR14X BZ	SPF 1/4 TURN SUPPLY STOP - STRAIGHT - 1/2" NOM COMP X 3/8" OD COMP W/ CROSS HANDLE	026613152424	105.44
XKTCR14X NS	SPF 1/4 TURN SUPPLY STOP - STRAIGHT - 1/2" NOM COMP X 3/8" OD COMP W/ CROSS HND	026613152431	105.44
XKTCR1912DLX BZ	SPF TOILET SUP. KIT - 1/4 TURN - ANG - 1/2" NOM COMP X 3/8" OD COMP W/ SHALL. ESCUT. X 12"	026613154664	114.80
XKTCR1912DLX NS	SPF TOILET SUP. KIT - 1/4 TURN - ANG - 1/2" NOM COMP X 3/8" OD COMP W/ SHALL. ESCUT. X 12"	026613154633	114.80
XKTCR1920AX BZ	SPF FAUCET SUP. KIT - 1/4 TURN - ANG - 1/2" NOM COMP X 3/8" OD COMP W/ SHALL. ESCUT. X 20"	026613152462	243.95
XKTCR1920AX NS	SPF FAUCET SUP. KIT - 1/4 TURN - ANG - 1/2" NOM COMP X 3/8" OD COMP W/ SHALL. ESCUT. X 20"	026613152479	243.95
XKTCR19X BZ	SPF 1/4 TURN SUPPLY STOP - ANGLE - 1/2" NOM COMP X 3/8" OD COMP W/ CROSS HND	026613152448	97.33
XKTCR19X NS	SPF 1/4 TURN SUPPLY STOP - ANGLE - 1/2" NOM COMP X 3/8" OD COMP W/ CROSS HND	026613152455	97.33
XKTCS40BX BZ	SPF 1/4 TURN SUP. STOP W/ - 5" SWT EXT. - ANG - 1/2" NOM SWT X 3/8" OD COMP W/ BELL ESCUT., CROSS HND	026613152486	137.89
XKTCS40BX NS	SPF 1/4 TURN SUP. STOP W/ - 5" SWT EXT. - ANG - 1/2" NOM SWEAT X 3/8" OD COMP W/ BELL ESCUT., CROSS HND	026613152493	137.89
XKTCS41BX BZ	SPF 1/4 TURN SUPPLY STOP W/ - 5" SWT EXT. - ANG - 1/2" NOM SWT X 3/8" OD COMP W/ BELL ESCUT., CROSS HND	026613152509	154.10
XKTCS41BX NS	SPF 1/4 TURN SUPPLY STOP W/ - 5" SWT EXT. - ANG - 1/2" NOM SWT X 3/8" OD COMP W/ BELL ESCUT., CROSS HND	026613152516	154.10
XKTPR14X BZ	SPF 1/4 TURN SUPPLY STOP - STRAIGHT - 1/2" NOM CPVC X 3/8" OD COMP W/ CROSS HND	026613152523	121.67
XKTPR14X NS	SPF 1/4 TURN SUPPLY STOP - STRAIGHT - 1/2" NOM CPVC X 3/8" OD COMP W/ CROSS HND	026613152530	121.67
XKTPR19X BZ	SPF 1/4 TURN SUPPLY STOP - ANGLE - 1/2" NOM CPVC X 3/8" OD COMP W/ CROSS HND	026613152547	97.33
XKTPR19X NS	SPF 1/4 TURN SUPPLY STOP - ANGLE - 1/2" NOM CPVC X 3/8" OD COMP W/ CROSS HND	026613152554	97.33
XPR14X BZ1	SPF MULTI-TURN SUPPLY STOP - STRAIGHT- 1/2" NOM CPVC X 3/8" OD COMP W/ CROSS HND	026613152561	113.56
XPR14X NS1	SPF MULTI-TURN SUPPLY STOP - STRAIGHT- 1/2" NOM CPVC X 3/8" OD COMP W/ CROSS HND	026613152578	113.56
XPR19X BZ1	SPF MULTI-TURN SUPPLY STOP - ANGLE- 1/2" NOM CPVC X 3/8" OD COMP W/ CROSS HND	026613152585	105.44
XPR19X NS1	SPF MULTI-TURN SUPPLY STOP - ANGLE- 1/2" NOM CPVC X 3/8" OD COMP W/ CROSS HND	026613152592	105.44
XR10X BZ1	SPF MULTI-TURN SUPPLY STOP - STRAIGHT - 3/8" FIP X 3/8" OD COMP W/ CROSS HND	026613152608	97.33
XR10X NS1	SPF MULTI-TURN SUPPLY STOP - STRAIGHT - 3/8" FIP X 3/8" OD COMP W/ CROSS HND	026613152615	97.33
XR12X BZ1	SPF MULTI-TURN SUPPLY STOP - STRAIGHT - 1/2" FIP X 3/8" OD COMP W/ CROSS HND	026613152622	97.33
XR12X NS1	SPF MULTI-TURN SUPPLY STOP - STRAIGHT - 1/2" FIP X 3/8" OD COMP W/ CROSS HND	026613152639	97.33
XR15X BZ1	SPF MULTI-TURN SUPPLY STOP - ANGLE - 3/8" FIP X 3/8" OD COMP W/ CROSS HND	026613152646	89.22
XR15X NP1	SPF MULTI-TURN SUPPLY STOP - ANGLE - 3/8" FIP X 3/8" OD COMP W/ CROSS HANDLE	026613152660	89.22
XR15X NS1	SPF MULTI-TURN SUPPLY STOP - ANGLE - 3/8" FIP X 3/8" OD COMP W/ CROSS HND	026613152677	89.22
XR15X P1	SPF MULTI-TURN SUPPLY STOP - ANGLE - 3/8" FIP X 3/8" OD COMP W/ CROSS HND	026613152684	89.22
XR17X BZ1	SPF MULTI-TURN SUPPLY STOP - ANGLE - 1/2" FIP X 3/8" OD COMP W/ CROSS HND	026613152691	89.22
XR17X NP1	SPF MULTI-TURN SUPPLY STOP - ANGLE - 1/2" FIP X 3/8" OD COMP W/ CROSS HND	026613152707	89.22
XR17X NS1	SPF MULTI-TURN SUPPLY STOP - ANGLE - 1/2" FIP X 3/8" OD COMP W/ CROSS HND	026613152714	89.22
XR17X P1	SPF MULTI-TURN SUPPLY STOP - ANGLE - 1/2" FIP X 3/8" OD COMP W/ CROSS HND	026613152721	89.22
XXR15-10R C	MULTI-TURN SUPPLY STOP COMPONENTS - ROUND HANDLE	026613042046	5.04
XXR15-10R R	MULTI-TURN SUPPLY STOP COMPONENTS - ROUND HANDLE	026613042053	4.84





NOTE: Actual riser length to connect less 1/2"

For product availability please refer to "Wholesale 2013 Compliant Conversion Plan - Product Availability List" on ROA.

Product offering, availability & pricing are subject to change. Please contact BrassCraft Customer Service toll-free at 877-272-7755 for verification or ROA access.

Terms: BrassCraft terms and conditions can be found at [www.brasscraft.com](http://www.brasscraft.com)

<p>Lock Shield, Loose Key (Add Prefix S)</p> <p>Stops Add \$7.68 List</p> <p>Faucet Kits Add \$15.41 List</p> <p>Toilet Kits Add \$7.68 List</p>	
	
<p>Lock Shield, Screwdriver Slot (Add Prefix SS)</p> <p>Stops Add \$7.68 List</p> <p>Faucet Kits Add \$15.41 List</p> <p>Toilet Kits Add \$7.68 List</p>	
	
<p>Stuffing Box (Add Prefix T)</p> <p>Stops Add \$7.94 List</p> <p>Faucet Kits Add \$15.86 List</p> <p>Toilet Kits Add \$7.94 List</p>	
	
<p>Brass Stem (Non-Sweat) (Add Suffix Z)</p> <p>Valve/Kit Add 12% List</p>	
	

<p>Stuffing Box, Lock Shield, Loose Key (Add Prefix ST)</p> <p>Stops Add \$15.61 List</p> <p>Faucet Kits Add \$31.29 List</p> <p>Toilet Kits Add \$15.61 List</p>	
	
<p>Stuffing Box, Lock Shield, Screwdriver Slot (Add Prefix SST)</p> <p>Stops Add \$15.61 List</p> <p>Faucet Kits Add \$31.29 List</p> <p>Toilet Kits Add \$15.61 List</p>	
	
<p>Cross Handle (Add Prefix X)</p> <p>Stops Add \$15.59 List</p> <p>Faucet Kits Add \$31.10 List</p> <p>Toilet Kits Add \$15.59 List</p>	
	
<p>Round (Brass) Handle (Add Prefix XX)</p> <p>Stops Add \$7.12 List</p> <p>Faucet Kits Add \$14.28 List</p> <p>Toilet Kits Add \$7.12 List</p>	
	

**Committed to Quality, Driven by Innovation.**

For our complete line of Water Stops, Water Connectors, Gas Connectors and Gas Valves, visit [www.brasscraft.com](http://www.brasscraft.com)



**BrassCraft®**



Scan for direct  
access to the  
BrassCraft® Water  
Supplies Catalog

**BrassCraft Manufacturing Co.**

39600 Orchard Hill Place  
Novi, Michigan 48375-5331  
TOLL-FREE: (877) 272-7755  
FAX: (248) 305-6011

[www.brasscraft.com](http://www.brasscraft.com)

350 South Edgeware Road  
St. Thomas, Ontario Canada N4P 4C4  
TOLL-FREE: (800) 265-4322  
FAX: (800) 567-9100