

The Altima™ Oval



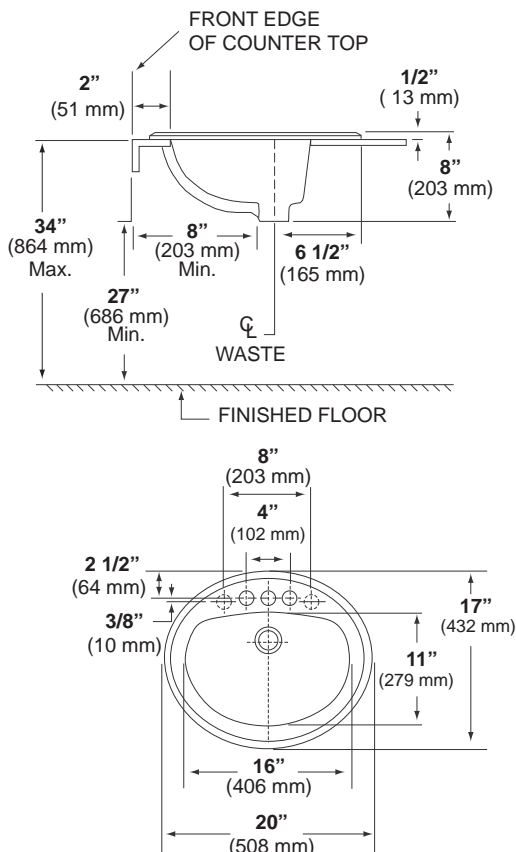
Design | Technology | Innovation

 BRIGGS®

The Altima™ Oval

20" x 17" Oval
Drop-In Lavatory

6531 / 6534 / 6538



Dimensions may vary (+) or (-) 1/4". Dimensions shown in parentheses are in millimeters: 25.4 mm = 1 inch. Note: Fixture dimensions are nominal and conform with dimension and performance requirements of ASME A112.19.2M standards. PSI rating: 20 minimum to 80 maximum per ASME A112.19.2 standards. Dimensions subject to change or cancellation without notice. Briggs is not responsible for the use of superceded or voided specification information.

FEATURES

- Oval basin
- Self-rim design
- Stain-resistant vitreous china
- Concealed front overflow
- Single hole, 4" or 8" centers available
- Limited Lifetime warranty

AVAILABLE COLORS



WHITE (130)



BISCUIT (235)



BONE (733)

SPECIFICATIONS

- Model 6531: Single hole; consists of lavatory basin, 19 lb
- Model 6534: 4" centers; consists of lavatory basin, 19 lb
- Model 6538: 8" centers; consists of lavatory basin, 19 lb

SUGGESTED FITTINGS*

Sayco™ Faucets	
4" centers	8" centers
502	482X
502L	

- See the Sayco® Suggested List Price Guide for available handle kits

*Fittings not included. Refer to the Sayco Catalog for more information.

INSTALLATION

- Installation instructions supplied
- Self-rim design for quick installation
- Installable under ADA standards

Design | Technology | Innovation

sdaltova0909

BRIGGS®

(800) 888-4458

www.briggsindustries.com